

**1835**  
**RECTANGULAR BALER**  
**PARTS BOOK**

**03/06**  
**700722954B**



#### **ALPHABETICAL INDEX**

The complete alphabetical index appears at the beginning of this publication. It is used to locate major groups, assemblies and components.

#### **NUMERICAL INDEX**

The numerical index of this publication follows the Alphabetical Index at the beginning of the publication and indicates at which grid location and page number a part number appears.

#### **ILLUSTRATIONS**

All illustrations are located on the left hand page with the text on the right. Except for some common hardware, all parts are identified with an item number which corresponds to the "item" column on the text page. This is followed by the parts number, quantity and description.

#### **HARDWARE**

Common hardware not identified such as bolts, nuts, cotter pins and lube fittings, are listed indented in the text beneath the item to which they attach or fit. Common hardware listed indented beneath an item is NOT included unless specified. Example: (Incl. BOLT, LOCKWASHER AND NUT).

#### **ORDERING PARTS**

Be sure to refer to both the text and the illustration to assure ordering the correct part.

#### **RECOMMENDED DEALER STOCK**

A recommended dealer stock listing appears at the end of this publication.



1835 RECTANGULAR BALER

**CHARGE AND PLUNGER**

CHARGE AND STUFFER ..... 37  
 HAYDOG MOUNTING (CHAMBER) ..... 39  
 MAINFRAME AND PLUNGER ..... 41  
 PLUNGER ASSEMBLY ..... 43

**DEALER RECOMMENDED STOCK**

DEALER RECOMMENDED STOCK ..... 133

**DECALS AND KITS**

BALE CHUTE EXTENSION KIT (MKD40417 BALE CHUTE EXTENSION KIT) ..... 89  
 BALE CHUTE KIT (MKD40416 BALE CHUTE KIT) ..... 87  
 BALE CHUTE QUARTER TURN KIT (MKD50391 BALE CHUTE QUARTER TURN KIT) ..... 91  
 BALE TENSIONER HYDRAULIC CYLINDER ASM. (700703899 HYDRAULIC CYLINDER ASSEMBLY) ..... 81  
 BALE TENSIONER PUMP AND RESERVOIR ASM. (7892128 PUMP AND RESERVOIR ASSEMBLY) ..... 79  
 BALE THROWER CHUTE-LOWER ..... 105  
 BALE THROWER CHUTE-UPPER ..... 103  
 BALE THROWER DRIVE ..... 107  
 BALE THROWER ELECT. SPEED CONTROL ASM. .... 123  
 BALE THROWER ELECTRICAL CONTROL BOX ASM. (700124194 BOX ASSEMBLY-CONTROL) ..... 125  
 BALE THROWER HYDRAULIC CYLINDER ASSEMBLY ..... 117  
 BALE THROWER HYDRAULIC MOTOR ASSEMBLY (700723556 HYDRAULIC MOTOR ASSEMBLY) ..... 113  
 BALE THROWER HYDRAULIC MOTOR ASSEMBLY (7796378 HYDRAULIC PUMP ASSEMBLY) ..... 121  
 BALE THROWER KIT (MKD40634 BALE THROWER KIT) ..... 101  
 CLIPPER LACING KIT (HOOKS AND PINS) (700707821 BELT CLIPPER LACING KIT) ..... 99  
 DECALS-FRONT AND RIGHT ..... 73  
 DECALS-LEFT ..... 75  
 ELECTRICAL HARNESS SERVICE PARTS ..... 127  
 FIELD LIGHT KIT (MKD40445 FIELD LIGHT KIT) ..... 95  
 FLOW CONTROL VALVE ASSEMBLY (7796394 VALVE ASSEMBLY) ..... 111  
 FRENCH DECAL KIT (MKD40817 FRENCH DECAL KIT) ..... 129  
 FRENCH DECAL KIT-Continued ..... 131  
 HYDRAULIC BALE TENSIONER KIT (MKD40933 HYDRAULIC BALE TENSIONER KIT) ..... 77  
 HYDRAULIC DRIVE AND CONTROL-FRONT (GEAR PUMP) ..... 109  
 HYDRAULIC DRIVE AND CONTROL-REAR (GEAR PUMP) ..... 115  
 HYDRAULIC PICKUP LIFT KIT (MKD40422 HYDRAULIC PICKUP LIFT KIT) ..... 83  
 HYDRAULIC PUMP AND CLUTCH (GEAR PUMP) ..... 119  
 LACER AND SPLICER TOOL KIT (700707822-10 INCH BELT VICE LACER KIT) ..... 97  
 PICKUP HYDRAULIC CYLINDER ASM. (ENERGY) (700726495 HYDRAULIC CYLINDER ASSEMBLY) ..... 85  
 WAGON HITCH KIT (MKD50392 WAGON HITCH KIT) ..... 93

**DRIVES**

GEARBOX ASSEMBLY (700112212 GEARBOX ASSEMBLY) ..... 19  
 IMPLEMENT DRIVELINE (NEAPCO) (S.N. HN63101 THRU HR63182) ..... 13  
 IMPLEMENT DRIVELINE ASSEMBLY (WEASLER) (S.N. HR63183 AND LATER) ..... 15  
 MAIN DRIVE ..... 17  
 MAIN DRIVE (Continued) ..... 21  
 PICKUP AND AUGER DRIVE ..... 23  
 PICKUP AND AUGER DRIVE (Continued) ..... 25  
 TONGUE AND PRIMARY DRIVE ..... 11

**FRAME, WHEELS AND SHIELDS**

BALE CHAMBER ..... 67  
 HITCH, JACK AND SAFETY CHAIN ..... 63  
 SHIELDS AND TWINE BOX-LEFT ..... 69  
 SHIELDS AND TWINE BOX-RIGHT ..... 71  
 WHEEL, HUB AND SPINDLE (LEFT SHOWN, RIGHT OPPOSITE) ..... 65

**KNOTTER**

KNOTTER CONTROL MOUNTING ..... 53  
 KNOTTER DRIVE AND CAM ..... 57  
 KNOTTER HEAD ASSEMBLY (700124193 KNOTTER HEAD ASSEMBLY) ..... 59  
 KNOTTER HEAD ASSEMBLY-Continued ..... 61  
 NEEDLE MOUNTING ..... 51

**KNOTTER (CONTINUED)**

PLUNGER STOP (SAFETY) KNOTTER AND NEEDLE .....	45
SPACER CAM .....	49
STAR WHEEL .....	47

**PICKUP**

PICKUP AND CAM-RIGHT .....	31
PICKUP ASSEMBLY .....	27
PICKUP FRAME, DRIVE AND WRAPPER-LEFT .....	29
PICKUP GAUGE WHEELS AND SHIELDS .....	35
PICKUP TINE .....	33

## INDEX

Part No.	Page	Grid	Part No.	Page	Grid	Part No.	Page	Grid	Part No.	Page	Grid
MKD40416	87	1-B 13	Y705525	51	1-B 10	2700072	79	1-B 12	6210371	43	1-B 9
MKD40417	89	1-B 13	Y705525	53	1-B 10	2700074	79	1-B 12	62117	79	1-B 12
MKD40422	83	1-B 13	Y705525	69	1-B 11	2700179	95	1-B 14	62182	45	1-B 9
MKD40445	95	1-B 14	Y705533	23	1-B 7	273508	51	1-B 10	62232	45	1-B 9
MKD40634	101	1-B 15	Y705533	25	1-B 7	285726	45	1-B 9	6227391	63	1-B 11
MKD40817	129	1-B 17	Y705533	33	1-B 8	285871M1	95	1-B 14	62307	33	1-B 8
MKD40933	77	1-B 12	Y705533	37	1-B 8	291731	63	1-B 11	6280788	65	1-B 11
MKD50391	91	1-B 14	Y705533	41	1-B 9	30368E91	13	1-B 6	63024	57	1-B 10
MKD50392	93	1-B 14	Y705533	45	1-B 9	30368E91	133	1-B 18	63024	79	1-B 12
Y46219	77	1-B 12	Y705533	49	1-B 9	312801B	77	1-B 12	6355697	11	1-B 6
Y47530	17	1-B 6	Y705533	53	1-B 10	353436X1	111	1-B 16	63594	45	1-B 9
Y52282	43	1-B 9	Y705533	57	1-B 10	353769X1	11	1-B 6	63693	83	1-B 13
Y52522	57	1-B 10	Y705533	67	1-B 11	353769X1	55	1-B 10	6450183	91	1-B 14
Y52548	37	1-B 8	Y705533	69	1-B 11	353769X1	69	1-B 11	6475495	87	1-B 13
Y52712	43	1-B 9	Y705533	71	1-B 12	353769X1	71	1-B 12	6475495	91	1-B 14
Y57604	25	1-B 7	Y705533	95	1-B 14	353769X1	109	1-B 15	64980	55	1-B 10
Y57604	133	1-B 18	Y705533	101	1-B 15	353769X1	123	1-B 17	6501167	115	1-B 16
Y58180	115	1-B 16	Y705533	109	1-B 15	354076X1	53	1-B 10	6507388	107	1-B 15
Y61424	23	1-B 7	Y705533	115	1-B 16	355915X1	111	1-B 16	6521868	21	1-B 7
Y61424	29	1-B 7	Y705533	125	1-B 17	364125X1	109	1-B 15	6521868	133	1-B 18
Y61424	31	1-B 8	Y705566	45	1-B 9	375113X1	45	1-B 9	6523203	59	1-B 10
Y61424	77	1-B 12	Y705566	53	1-B 10	378604	101	1-B 15	6523203	133	1-B 18
Y703132	29	1-B 7	Y705582	11	1-B 6	41137	95	1-B 14	6523229	59	1-B 10
Y703132	35	1-B 8	Y705582	17	1-B 6	451641B	115	1-B 16	6523237	59	1-B 10
Y703132	67	1-B 11	Y705582	21	1-B 7	47142	17	1-B 6	6530471	47	1-B 9
Y703132	71	1-B 12	Y705582	45	1-B 9	47142	133	1-B 18	6549869	69	1-B 11
Y703132	95	1-B 14	Y705582	77	1-B 12	47365	21	1-B 7	6549869	71	1-B 12
Y703132	115	1-B 16	Y705582	93	1-B 14	47977	29	1-B 7	6552558	67	1-B 11
Y703132	133	1-B 18	Y705582	101	1-B 15	47977	31	1-B 8	6553259N	59	1-B 10
Y704015	25	1-B 7	Y707042	41	1-B 9	47977	133	1-B 18	6553259N	133	1-B 18
Y704015	29	1-B 7	Y707356	41	1-B 9	50104	65	1-B 11	6553267	59	1-B 10
Y704015	41	1-B 9	Y707455	43	1-B 9	50104	133	1-B 18	6553267	133	1-B 18
Y704015	53	1-B 10	Y710392	33	1-B 8	50112	65	1-B 11	6553275	59	1-B 10
Y704015	69	1-B 11	Y710392	133	1-B 18	50112	135	1-B 18	6553283	57	1-B 10
Y704072	67	1-B 11	Y712661	63	1-B 11	50534M	17	1-B 6	6553317	57	1-B 10
Y704163	17	1-B 6	Y730804	79	1-B 12	50534M	21	1-B 7	6553325	57	1-B 10
Y704163	69	1-B 11	Y730887	79	1-B 12	50534M	23	1-B 7	6553424	53	1-B 10
Y704163	71	1-B 12	Y730895	79	1-B 12	50534M	29	1-B 7	6553515	53	1-B 10
Y704346	65	1-B 11	Y731679	79	1-B 12	50534M	37	1-B 8	6553523	53	1-B 10
Y704346	133	1-B 18	Y733766	79	1-B 12	50534M	57	1-B 10	6553556	55	1-B 10
Y704395	69	1-B 11	Y733774	79	1-B 12	50534M	133	1-B 18	6553572	55	1-B 10
Y704395	71	1-B 12	Y761197	37	1-B 8	50567	53	1-B 10	6553614	45	1-B 9
Y704635	49	1-B 9	Y763417	19	1-B 6	50567	133	1-B 18	6553614	53	1-B 10
Y704635	115	1-B 16	Y827402	65	1-B 11	51292	31	1-B 8	6554034	45	1-B 9
Y704726	91	1-B 14	Y852749	11	1-B 6	51292	103	1-B 15	6554356M	67	1-B 11
Y704734	33	1-B 8	Y854463	25	1-B 7	51292	105	1-B 15	6554448B	87	1-B 13
Y704734	45	1-B 9	1020340M1	79	1-B 12	51292	133	1-B 18	6556898	103	1-B 15
Y704734	53	1-B 10	1057234M1	19	1-B 6	51417	31	1-B 8	6556898	105	1-B 15
Y704734	87	1-B 13	10722X	25	1-B 7	51417	103	1-B 15	6557565B	93	1-B 14
Y704734	89	1-B 13	1109055	37	1-B 8	51417	105	1-B 15	6559504	89	1-B 13
Y704734	91	1-B 14	1109055	133	1-B 18	51417	133	1-B 18	6559512	89	1-B 13
Y704734	109	1-B 15	113985	103	1-B 15	52167	57	1-B 10	6559876	87	1-B 13
Y704742	11	1-B 6	113985	105	1-B 15	52233	29	1-B 7	6559876	91	1-B 14
Y704742	37	1-B 8	114140	25	1-B 7	52233	31	1-B 8	6605315	69	1-B 11
Y704742	41	1-B 9	156424A	79	1-B 12	52233	43	1-B 9	6605315	71	1-B 12
Y704742	51	1-B 10	1660993	43	1-B 9	52761	45	1-B 9	6613624	61	1-B 11
Y704973	63	1-B 11	1661172M	115	1-B 16	52761	53	1-B 10	6613624	133	1-B 18
Y705046	17	1-B 6	1661234	49	1-B 9	52886	103	1-B 15	66332	45	1-B 9
Y705046	19	1-B 6	1662519M	101	1-B 15	52886	105	1-B 15	6661702	79	1-B 12
Y705046	21	1-B 7	1662527M	101	1-B 15	53553	25	1-B 7	6825293	25	1-B 7
Y705046	23	1-B 7	1662535	101	1-B 15	53553	107	1-B 15	6851695	67	1-B 11
Y705046	25	1-B 7	1662543	101	1-B 15	53553	133	1-B 18	6853303	57	1-B 10
Y705046	35	1-B 8	1662626M	119	1-B 16	57158	107	1-B 15	6853352	59	1-B 10
Y705046	37	1-B 8	1662964	11	1-B 6	58107B	11	1-B 6	6853352	133	1-B 18
Y705046	41	1-B 9	1703354	123	1-B 17	58420	25	1-B 7	6853469	45	1-B 9
Y705046	45	1-B 9	1713999	123	1-B 17	58925	69	1-B 11	6853592	17	1-B 6
Y705046	59	1-B 10	1713999	127	1-B 17	58925	71	1-B 12	6853592	57	1-B 10
Y705046	67	1-B 11	17201X	19	1-B 6	61069	103	1-B 15	6853626	57	1-B 10
Y705046	83	1-B 13	19516A91	67	1-B 11	61069	105	1-B 15	6853634	57	1-B 10
Y705046	93	1-B 14	2401516	47	1-B 9	6143358	101	1-B 15	6853642	57	1-B 10
Y705046	101	1-B 15	26260	65	1-B 11	61622	21	1-B 7	6853675	45	1-B 9
Y705046	103	1-B 15	26260	133	1-B 18	61747	17	1-B 6	6853840M	57	1-B 10
Y705046	105	1-B 15	26328	65	1-B 11	6186506	43	1-B 9	6853857	57	1-B 10
Y705046	107	1-B 15	26328	133	1-B 18	61978	103	1-B 15	6853899	57	1-B 10
Y705046	119	1-B 16	263350M	107	1-B 15	62018	123	1-B 17	6855423	17	1-B 6

1835 RECTANGULAR BALER

5  
INDEX

Part No.	Page	Grid	Part No.	Page	Grid	Part No.	Page	Grid	Part No.	Page	Grid
6855613	19	1-B 6	700112260	69	1-B 11	700112505	69	1-B 11	700121071	49	1-B 9
6856512	91	1-B 14	700112260	71	1-B 12	700112506	71	1-B 12	700121512	109	1-B 15
6856520B	91	1-B 14	700112261	69	1-B 11	700112507	41	1-B 9	700121513	109	1-B 15
6856538B	91	1-B 14	700112262	69	1-B 11	700112510M	65	1-B 11	700121550	57	1-B 10
6858971	61	1-B 11	700112264	69	1-B 11	700112513	41	1-B 9	700121568M	103	1-B 15
6859102B	87	1-B 13	700112265	69	1-B 11	700112514	41	1-B 9	700121568M	105	1-B 15
6859102B	91	1-B 14	700112266	69	1-B 11	700112515	41	1-B 9	700121569	103	1-B 15
68619	35	1-B 8	700112269M	35	1-B 8	700112517	41	1-B 9	700121569	105	1-B 15
68619	41	1-B 9	700112272	69	1-B 11	700112518	41	1-B 9	700121571	109	1-B 15
68619	67	1-B 11	700112273P	35	1-B 8	700112519	41	1-B 9	700121572	109	1-B 15
6875314	17	1-B 6	700112274M	35	1-B 8	700112520	41	1-B 9	700121573	109	1-B 15
69187	119	1-B 16	700112277	71	1-B 12	700112521M	41	1-B 9	700121576	119	1-B 16
700106060	101	1-B 15	700112278P	35	1-B 8	700112522	67	1-B 11	700121578	119	1-B 16
700106235	101	1-B 15	700112280M	35	1-B 8	700112527	67	1-B 11	700121906M	67	1-B 11
700108181	43	1-B 9	700112285M	35	1-B 8	700112529	41	1-B 9	700121907	103	1-B 15
700108195	59	1-B 10	700112288M	35	1-B 8	700112533	41	1-B 9	700121907	105	1-B 15
700108195	133	1-B 18	700112291	43	1-B 9	700112542	41	1-B 9	700122493	69	1-B 11
700108260	43	1-B 9	700112320	43	1-B 9	700112543	41	1-B 9	700122609	93	1-B 14
700108263	43	1-B 9	700112322	37	1-B 8	700112618B	93	1-B 14	700122610B	93	1-B 14
700108401	67	1-B 11	700112335	37	1-B 8	700112619B	93	1-B 14	700122619	59	1-B 10
700108406	41	1-B 9	700112336	17	1-B 6	700112625	93	1-B 14	700122620	61	1-B 11
700108418	39	1-B 8	700112340M	37	1-B 8	700112627M	107	1-B 15	700122621	59	1-B 10
700108418	53	1-B 10	700112341	101	1-B 15	700112628B	91	1-B 14	700122623	57	1-B 10
700108418	133	1-B 18	700112343M	37	1-B 8	700112634	103	1-B 15	700122799	61	1-B 11
700108433B	77	1-B 12	700112346	43	1-B 9	700112634	105	1-B 15	700122799	133	1-B 18
700108473	49	1-B 9	700112351M	37	1-B 8	700112635B	91	1-B 14	700122842	47	1-B 9
700108535	71	1-B 12	700112354	37	1-B 8	700112641B	77	1-B 12	700124038	37	1-B 8
700108543	69	1-B 11	700112361	41	1-B 9	700112643B	77	1-B 12	700124093	59	1-B 10
700108543	71	1-B 12	700112362	41	1-B 9	700112645	103	1-B 15	700124189	55	1-B 10
700108622	33	1-B 8	700112363	27	1-B 7	700112645	105	1-B 15	700124192	55	1-B 10
700108622	133	1-B 18	700112363	29	1-B 7	700112651	101	1-B 15	700124193	57	1-B 10
700108708	95	1-B 14	700112364	29	1-B 7	700112661	103	1-B 15	700124193	59	1-B 10
700108714	91	1-B 14	700112379M	29	1-B 7	700112661	105	1-B 15	700124194	125	1-B 17
700108718	41	1-B 9	700112379M	133	1-B 18	700112662M	101	1-B 15	700124195B	125	1-B 17
700108719	41	1-B 9	700112381	33	1-B 8	700112668	107	1-B 15	700124196	125	1-B 17
700108808	63	1-B 11	700112386	33	1-B 8	700112669M	107	1-B 15	700124207	123	1-B 17
700110303	103	1-B 15	700112388	29	1-B 7	700112673	101	1-B 15	700124210	109	1-B 15
700110303	105	1-B 15	700112388	31	1-B 8	700112688M	101	1-B 15	700131723	33	1-B 8
700110306	115	1-B 16	700112389	29	1-B 7	700112726	115	1-B 16	700131723	133	1-B 18
700110550	115	1-B 16	700112390M	23	1-B 7	700112729	107	1-B 15	700131736	11	1-B 6
700111507M	101	1-B 15	700112393M	23	1-B 7	700115415	43	1-B 9	700131737	11	1-B 6
700111508M	107	1-B 15	700112394M	23	1-B 7	700115416	43	1-B 9	700136658	53	1-B 10
700111510P	35	1-B 8	700112399	23	1-B 7	700115417	43	1-B 9	700136677	67	1-B 11
700111511M	35	1-B 8	700112400M	23	1-B 7	700115418	43	1-B 9	700136678	67	1-B 11
700111565M	115	1-B 16	700112401M	23	1-B 7	700115419	43	1-B 9	700136683B	77	1-B 12
700111614	103	1-B 15	700112401M	133	1-B 18	700115420	43	1-B 9	700136684B	77	1-B 12
700112051	101	1-B 15	700112402M	25	1-B 7	700115442	41	1-B 9	700136685B	77	1-B 12
700112189M	119	1-B 16	700112405	25	1-B 7	700115443	41	1-B 9	700137060	37	1-B 8
700112190M	119	1-B 16	700112406	25	1-B 7	700115572M	29	1-B 7	700701485	43	1-B 9
700112212	17	1-B 6	700112407	25	1-B 7	700115572M	31	1-B 8	700702059	63	1-B 11
700112212	19	1-B 6	700112410	25	1-B 7	700115573M	101	1-B 15	700702265	43	1-B 9
700112213	19	1-B 6	700112413	25	1-B 7	700115574M	101	1-B 15	700703198	57	1-B 10
700112215M	19	1-B 6	700112414	45	1-B 9	700115583	83	1-B 13	700703259	71	1-B 12
700112216	19	1-B 6	700112418	45	1-B 9	700115585	83	1-B 13	700703426	19	1-B 6
700112218	17	1-B 6	700112421M	45	1-B 9	700116125P	31	1-B 8	700703441	75	1-B 12
700112220M	21	1-B 7	700112422M	45	1-B 9	700116559M	23	1-B 7	700703692	53	1-B 10
700112222	21	1-B 7	700112423	45	1-B 9	700116648	83	1-B 13	700703778	39	1-B 8
700112223	21	1-B 7	700112424	45	1-B 9	700116985	95	1-B 14	700703778	53	1-B 10
700112225	17	1-B 6	700112427M	47	1-B 9	700116986	95	1-B 14	700703778	133	1-B 18
700112226	17	1-B 6	700112432	45	1-B 9	700117031	37	1-B 8	700703817	77	1-B 12
700112230	21	1-B 7	700112435	51	1-B 10	700117281	39	1-B 8	700703825	77	1-B 12
700112232	17	1-B 6	700112436	51	1-B 10	700117281	53	1-B 10	700703860	33	1-B 8
700112233M	21	1-B 7	700112443	53	1-B 10	700117281	133	1-B 18	700703860	133	1-B 18
700112234	21	1-B 7	700112446	57	1-B 10	700117928B	63	1-B 11	700703899	77	1-B 12
700112236M	17	1-B 6	700112465	43	1-B 9	700119239M	37	1-B 8	700703905	75	1-B 12
700112241	69	1-B 11	700112467	43	1-B 9	700119281	37	1-B 8	700703916	43	1-B 9
700112241	71	1-B 12	700112468	43	1-B 9	700119335	45	1-B 9	700703917	43	1-B 9
700112242	71	1-B 12	700112469	41	1-B 9	700119459	53	1-B 10	700703922	101	1-B 15
700112244M	71	1-B 12	700112472	17	1-B 6	700119460	53	1-B 10	700704525	95	1-B 14
700112249M	71	1-B 12	700112472	133	1-B 18	700119462	53	1-B 10	700704526	95	1-B 14
700112254M	69	1-B 11	700112476	11	1-B 6	700119467M	57	1-B 10	700704629	83	1-B 13
700112255M	69	1-B 11	700112487	11	1-B 6	700119468	49	1-B 9	700704658	75	1-B 12
700112256	71	1-B 12	700112491	11	1-B 6	700119470	49	1-B 9	700704845	81	1-B 13
700112257	71	1-B 12	700112494	11	1-B 6	700119498B	77	1-B 12	700704846	81	1-B 13
700112258	71	1-B 12	700112497	11	1-B 6	700120654	53	1-B 10	700704847	81	1-B 13

## INDEX

Part No.	Page	Grid	Part No.	Page	Grid	Part No.	Page	Grid	Part No.	Page	Grid
700704848	81	1-B 13	700709944	109	1-B 15	700714064	53	1-B 10	704031	119	1-B 16
700704849	81	1-B 13	700709945	109	1-B 15	700714200	13	1-B 6	704056	21	1-B 7
700704850	81	1-B 13	700709946	109	1-B 15	700714229	75	1-B 12	70417	11	1-B 6
700704948	111	1-B 16	700710315	61	1-B 11	700714229	101	1-B 15	704247	37	1-B 8
700704949	111	1-B 16	700710315	135	1-B 18	700714328	65	1-B 11	704247	45	1-B 9
700704950	111	1-B 16	700710551	125	1-B 17	700715105	75	1-B 12	704247	53	1-B 10
700704962	19	1-B 6	700710553	125	1-B 17	700715627	61	1-B 11	704247	67	1-B 11
700704963	19	1-B 6	700710620	127	1-B 17	700715627	135	1-B 18	704247	69	1-B 11
700704964	19	1-B 6	700710621	127	1-B 17	700715627	135	1-B 18	704247	71	1-B 12
700704966	19	1-B 6	700710659	127	1-B 17	700717402	73	1-B 12	704247	77	1-B 12
700704967	17	1-B 6	700710684	13	1-B 6	700717402	75	1-B 12	704247	83	1-B 13
700705088	67	1-B 11	700710945	11	1-B 6	700717403	75	1-B 12	704247	95	1-B 14
700705598	63	1-B 11	700710945	135	1-B 18	700717864	13	1-B 6	704247	101	1-B 15
700705612	33	1-B 8	700710949	121	1-B 17	700719297	127	1-B 17	704247	107	1-B 15
700705612	133	1-B 18	700711021	55	1-B 10	700720122	15	1-B 6	704247	109	1-B 15
700705653	55	1-B 10	700711021	135	1-B 18	700720152	15	1-B 6	704247	115	1-B 16
700705831	17	1-B 6	700711032	115	1-B 16	700721617	95	1-B 14	704254	45	1-B 9
700705916	21	1-B 7	700711032	117	1-B 16	700722237	121	1-B 17	704254	77	1-B 12
700706003	43	1-B 9	700711078	115	1-B 16	700722830	75	1-B 12	704429	53	1-B 10
700706004	43	1-B 9	700711111	117	1-B 16	700722869	73	1-B 12	704486	59	1-B 10
700706005	37	1-B 8	700711112	85	1-B 13	700722870	75	1-B 12	7046063	83	1-B 13
700706005	133	1-B 18	700711112	117	1-B 16	700722873	73	1-B 12	7046113	77	1-B 12
700706007	37	1-B 8	700711113	117	1-B 16	700722873	75	1-B 12	704858	39	1-B 8
700706020	23	1-B 7	700711114	117	1-B 16	700723434	119	1-B 16	704858	43	1-B 9
700706020	133	1-B 18	700711131	51	1-B 10	700723463	15	1-B 6	704858	53	1-B 10
700706021	23	1-B 7	700711131	69	1-B 11	700723556	113	1-B 16	705004	67	1-B 11
700706021	133	1-B 18	700711131	71	1-B 12	700723556	115	1-B 16	705012	57	1-B 10
700706024	25	1-B 7	700711131	135	1-B 18	700723560	113	1-B 16	705012	109	1-B 15
700706024	67	1-B 11	700711185	125	1-B 17	700723561	113	1-B 16	7053325	107	1-B 15
700706207	75	1-B 12	700711219	123	1-B 17	700723563	115	1-B 16	705541	11	1-B 6
700706213	41	1-B 9	700711329	103	1-B 15	700726495	83	1-B 13	705541	17	1-B 6
700706289	75	1-B 12	700711329	105	1-B 15	700726495	85	1-B 13	705541	21	1-B 7
700706300	77	1-B 12	700711380	123	1-B 17	700726496	85	1-B 13	705541	25	1-B 7
700706301	77	1-B 12	700711381	125	1-B 17	700727810	15	1-B 6	705541	35	1-B 8
700706324	43	1-B 9	700711954	85	1-B 13	700727815	15	1-B 6	705541	45	1-B 9
700706326	43	1-B 9	700711954	135	1-B 18	700727816	15	1-B 6	705541	55	1-B 10
700706359	103	1-B 15	700712011	35	1-B 8	700727817	15	1-B 6	705541	59	1-B 10
700706359	105	1-B 15	700712011	135	1-B 18	700727819	15	1-B 6	705541	103	1-B 15
700706418	109	1-B 15	700712484	45	1-B 9	700727820	15	1-B 6	705541	105	1-B 15
700706425	115	1-B 16	700712733	15	1-B 6	700727821	15	1-B 6	705541	119	1-B 16
700707014	127	1-B 17	700712748	15	1-B 6	700727822	15	1-B 6	705541	125	1-B 17
700707322	103	1-B 15	700712748	135	1-B 18	700727823	15	1-B 6	705574	35	1-B 8
700707322	105	1-B 15	700712767	15	1-B 6	700727824	15	1-B 6	705574	45	1-B 9
700707418	85	1-B 13	700713702	131	1-B 18	700727962	15	1-B 6	705574	101	1-B 15
700707418	117	1-B 16	700713708	129	1-B 17	700727963	15	1-B 6	705681	63	1-B 11
700707419	85	1-B 13	700713708	131	1-B 18	700758888	45	1-B 9	7058993	45	1-B 9
700707419	117	1-B 16	700713713	131	1-B 18	701235	25	1-B 7	70590709	57	1-B 10
700707819	127	1-B 17	700713722	129	1-B 17	701235	37	1-B 8	706325	89	1-B 13
700707821	99	1-B 14	700713724	129	1-B 17	701235	45	1-B 9	7071871	79	1-B 12
700707822	97	1-B 14	700713770	13	1-B 6	701235	101	1-B 15	707448	41	1-B 9
700707863	39	1-B 8	700713771	13	1-B 6	7020480	125	1-B 17	7078256	73	1-B 12
700707863	53	1-B 10	700713772	13	1-B 6	7020589	67	1-B 11	7085988	23	1-B 7
700707863	135	1-B 18	700713773	13	1-B 6	70227666	65	1-B 11	7085988	77	1-B 12
700707867	33	1-B 8	700713773	135	1-B 18	70227666	133	1-B 18	70903835	77	1-B 12
700707867	135	1-B 18	700713774	13	1-B 6	7023484	67	1-B 11	70905261	19	1-B 6
700707953	35	1-B 8	700713775	13	1-B 6	702654	45	1-B 9	70911711	81	1-B 13
700707960	15	1-B 6	700713777	13	1-B 6	703082	125	1-B 17	70912269	43	1-B 9
700707960	73	1-B 12	700713778	13	1-B 6	70336568	45	1-B 9	70912270	33	1-B 8
700708272	45	1-B 9	700713779	13	1-B 6	70336568	49	1-B 9	70914465	15	1-B 6
700708583	15	1-B 6	700713780	13	1-B 6	7037682	115	1-B 16	70915275	13	1-B 6
700708583	73	1-B 12	700713781	13	1-B 6	704031	17	1-B 6	70915276	43	1-B 9
700708653	55	1-B 10	700713782	13	1-B 6	704031	21	1-B 7	70915515	23	1-B 7
700708731	75	1-B 12	700713783	13	1-B 6	704031	23	1-B 7	70915751	59	1-B 10
700708756	127	1-B 17	700713785	13	1-B 6	704031	25	1-B 7	70916001	67	1-B 11
700709157	53	1-B 10	700713801	131	1-B 18	704031	35	1-B 8	70916622	109	1-B 15
700709385	63	1-B 11	700713819	131	1-B 18	704031	37	1-B 8	70916950	17	1-B 6
700709409	63	1-B 11	700713820	131	1-B 18	704031	41	1-B 9	70916952	79	1-B 12
700709705	127	1-B 17	700713821	131	1-B 18	704031	45	1-B 9	70916965	11	1-B 6
700709718	13	1-B 6	700713822	129	1-B 17	704031	67	1-B 11	70917356	19	1-B 6
700709759	109	1-B 15	700713823	131	1-B 18	704031	83	1-B 13	70917373	11	1-B 6
700709866	75	1-B 12	700713825	131	1-B 18	704031	93	1-B 14	70917378	11	1-B 6
700709867	75	1-B 12	700713833	13	1-B 6	704031	101	1-B 15	70917421	41	1-B 9
700709941	115	1-B 16	700713861	13	1-B 6	704031	103	1-B 15	70917580	111	1-B 16
700709942	115	1-B 16	700713862	13	1-B 6	704031	105	1-B 15	70917642	53	1-B 10
700709943	109	1-B 15	700714001	13	1-B 6	704031	107	1-B 15	70918266	41	1-B 9



1835 RECTANGULAR BALER

Part No.	Page	Grid	Part No.	Page	Grid	Part No.	Page	Grid	Part No.	Page	Grid
70918268	83	1-B 13	70926228	25	1-B 7	7704117	57	1-B 10	7894454	133	1-B 18
70918431	101	1-B 15	70926675	29	1-B 7	7704141	43	1-B 9	7894470	45	1-B 9
70918451	45	1-B 9	70926838	23	1-B 7	7704141	57	1-B 10	7894967	69	1-B 11
70918452	93	1-B 14	70926937	37	1-B 8	7704141	101	1-B 15	7894975	69	1-B 11
70918454	65	1-B 11	70927094	115	1-B 16	77057	25	1-B 7	7895733	59	1-B 10
70918455	83	1-B 13	70927728	61	1-B 11	77057	59	1-B 10	7895733	133	1-B 18
70918461	57	1-B 10	70928367	23	1-B 7	77065	37	1-B 8	79001235	67	1-B 11
70919135	77	1-B 12	70928654	95	1-B 14	7714371	19	1-B 6	79001235	77	1-B 12
70919136	77	1-B 12	70928737	65	1-B 11	771931	37	1-B 8	79001235	101	1-B 15
70919332	67	1-B 11	70928752	55	1-B 10	772319	49	1-B 9	803783	19	1-B 6
70919423	59	1-B 10	70929095	17	1-B 6	7723562	125	1-B 17	8040479	79	1-B 12
70919439	11	1-B 6	70929160	83	1-B 13	7746688	83	1-B 13	8040495	79	1-B 12
70920161	49	1-B 9	70929810	123	1-B 17	7747074	21	1-B 7	8040503	79	1-B 12
70920272	17	1-B 6	70930765	81	1-B 13	7749369	23	1-B 7	8040529	79	1-B 12
70920415	11	1-B 6	70931277	23	1-B 7	7751605	19	1-B 6	8040537	79	1-B 12
70920468	25	1-B 7	70931333	23	1-B 7	77552	13	1-B 6	8040545	79	1-B 12
70921013	115	1-B 16	70931768	95	1-B 14	7758154	55	1-B 10	8040552	79	1-B 12
70921049	17	1-B 6	70931810	103	1-B 15	7758212	69	1-B 11	8040560	79	1-B 12
70921050	21	1-B 7	70931813	83	1-B 13	7758253	101	1-B 15	8040578	79	1-B 12
70921176	11	1-B 6	70931852	57	1-B 10	7758857	57	1-B 10	8040586	79	1-B 12
70921205	109	1-B 15	70932665	11	1-B 6	7770803	21	1-B 7	8044778	19	1-B 6
70921206	109	1-B 15	70933955	21	1-B 7	7771322	35	1-B 8	8050676	19	1-B 6
70921210	31	1-B 8	70934842	41	1-B 9	7771322	37	1-B 8	808345	19	1-B 6
70921211	107	1-B 15	70934980	93	1-B 14	7771322	69	1-B 11	828123M2	103	1-B 15
70921298	115	1-B 16	70935468	83	1-B 13	7771322	71	1-B 12	828123M2	105	1-B 15
70921324	17	1-B 6	70936348	53	1-B 10	7771322	115	1-B 16	828194	103	1-B 15
70921328	109	1-B 15	71131016	79	1-B 12	7774581	57	1-B 10	828194	105	1-B 15
70921332	19	1-B 6	71131411	79	1-B 12	7774839	11	1-B 6	831078M1	65	1-B 11
70921333	53	1-B 10	71131628	79	1-B 12	7774839	55	1-B 10	831078M1	133	1-B 18
70921360	37	1-B 8	71145679	119	1-B 16	7774995	21	1-B 7	837971	67	1-B 11
70921885	115	1-B 16	711770	43	1-B 9	7778368	73	1-B 12	846634	115	1-B 16
70921965	41	1-B 9	71184145	79	1-B 12	7778368	75	1-B 12	857573	115	1-B 16
70921971	117	1-B 16	712539	17	1-B 6	7778368	105	1-B 15	863738	61	1-B 11
70921972	55	1-B 10	712539	135	1-B 18	7791460	109	1-B 15	8701625	61	1-B 11
70921974	41	1-B 9	712943	37	1-B 8	7796378	121	1-B 17	8701708	19	1-B 6
70921978	17	1-B 6	71308951	53	1-B 10	7796394	109	1-B 15	87213	21	1-B 7
70922002	63	1-B 11	71308951	133	1-B 18	7796394	111	1-B 16	8732661	121	1-B 17
70922020	63	1-B 11	71308984	17	1-B 6	7827116	101	1-B 15	8733289	111	1-B 16
70922130	45	1-B 9	71308984	21	1-B 7	7846108	109	1-B 15	8733297	111	1-B 16
70922135	59	1-B 10	71308984	23	1-B 7	7846124	109	1-B 15	8733305	111	1-B 16
70922322	115	1-B 16	71308984	29	1-B 7	7851082	77	1-B 12	8733313	111	1-B 16
70922598	59	1-B 10	71308984	37	1-B 8	7852023	57	1-B 10	8733321	111	1-B 16
70922645	25	1-B 7	71308984	135	1-B 18	7852148	77	1-B 12	8733347	111	1-B 16
70922664	65	1-B 11	71321111	109	1-B 15	7852163	59	1-B 10	8733354	111	1-B 16
70922726	21	1-B 7	71378873	21	1-B 7	7852171	57	1-B 10	8733370	111	1-B 16
70922784	33	1-B 8	71378873	133	1-B 18	7852189	57	1-B 10	8745325	59	1-B 10
70922786	17	1-B 6	713958	37	1-B 8	7852593	61	1-B 11	8745358	59	1-B 10
70923084	57	1-B 10	713958	133	1-B 18	7852593	133	1-B 18	8745358	133	1-B 18
70923110	67	1-B 11	72161951	43	1-B 9	7852718	21	1-B 7	8746638	19	1-B 6
70923112	93	1-B 14	722355	125	1-B 17	7852742	59	1-B 10	876359	19	1-B 6
70923114	17	1-B 6	72514689	127	1-B 17	7870165	31	1-B 8	8801953	19	1-B 6
70923151	17	1-B 6	740217	107	1-B 15	7870165	37	1-B 8	8801961	19	1-B 6
70923219	13	1-B 6	740803	119	1-B 16	7883317	69	1-B 11	8801979	19	1-B 6
70923220	37	1-B 8	74253936	19	1-B 6	7883317	71	1-B 12	8802019	19	1-B 6
70923282	69	1-B 11	742643	109	1-B 15	7883325	69	1-B 11	88732	77	1-B 12
70923320	119	1-B 16	758102	107	1-B 15	7883325	71	1-B 12	8877789	73	1-B 12
70923362	49	1-B 9	758268	45	1-B 9	7883325	91	1-B 14	932036	35	1-B 8
70923434	45	1-B 9	758441	11	1-B 6	7883325	107	1-B 15	98-2107	101	1-B 15
70923502	39	1-B 8	758441	133	1-B 18	7883333	77	1-B 12	98-2107	115	1-B 16
70923561	59	1-B 10	763177	45	1-B 9	7883374	69	1-B 11			
70923719	111	1-B 16	766394	23	1-B 7	7883374	107	1-B 15			
70923737	115	1-B 16	766543	51	1-B 10	7883374	109	1-B 15			
70923938	11	1-B 6	766543	69	1-B 11	7883382	109	1-B 15			
70924121	45	1-B 9	766543	71	1-B 12	7884414	53	1-B 10			
70924744	11	1-B 6	768036	23	1-B 7	7889306	73	1-B 12			
70924786	109	1-B 15	7700578	53	1-B 10	7889306	75	1-B 12			
70925094	95	1-B 14	7701485	123	1-B 17	7892128	77	1-B 12			
70925619	77	1-B 12	7701600	37	1-B 8	7892128	79	1-B 12			
70925620	109	1-B 15	7701659	77	1-B 12	7894389	59	1-B 10			
70925689	91	1-B 14	7703424	115	1-B 16	7894389	133	1-B 18			
70925702	63	1-B 11	7703432	95	1-B 14	7894413	59	1-B 10			
70925706	45	1-B 9	7703432	115	1-B 16	7894413	133	1-B 18			
70925731	13	1-B 6	7703457	57	1-B 10	7894421	59	1-B 10			
70925864	77	1-B 12	7704117	17	1-B 6	7894421	133	1-B 18			
70926158	51	1-B 10	7704117	53	1-B 10	7894454	59	1-B 10			

**8**  
**INDEX**

**1835 RECTANGULAR BALER**

Part No.	Page	Grid	Part No.	Page	Grid	Part No.	Page	Grid	Part No.	Page	Grid
----------	------	------	----------	------	------	----------	------	------	----------	------	------

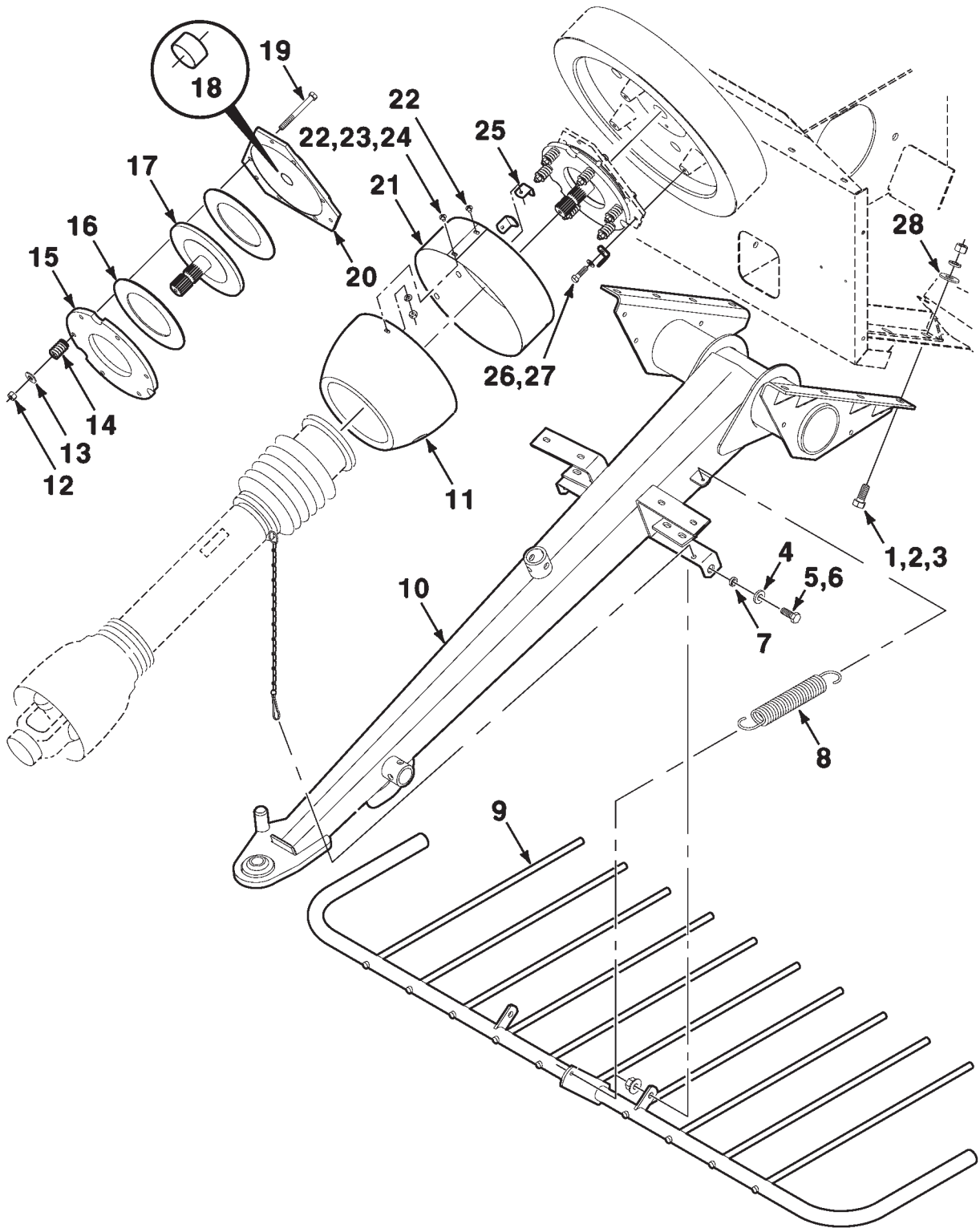
**1835 RECTANGULAR BALER**

**9**  
**INDEX**

Part No.	Page	Grid	Part No.	Page	Grid	Part No.	Page	Grid	Part No.	Page	Grid
----------	------	------	----------	------	------	----------	------	------	----------	------	------

1835 RECTANGULAR BALER  
DRIVES

TONGUE AND PRIMARY DRIVE



1835 RECTANGULAR BALER  
DRIVES

11

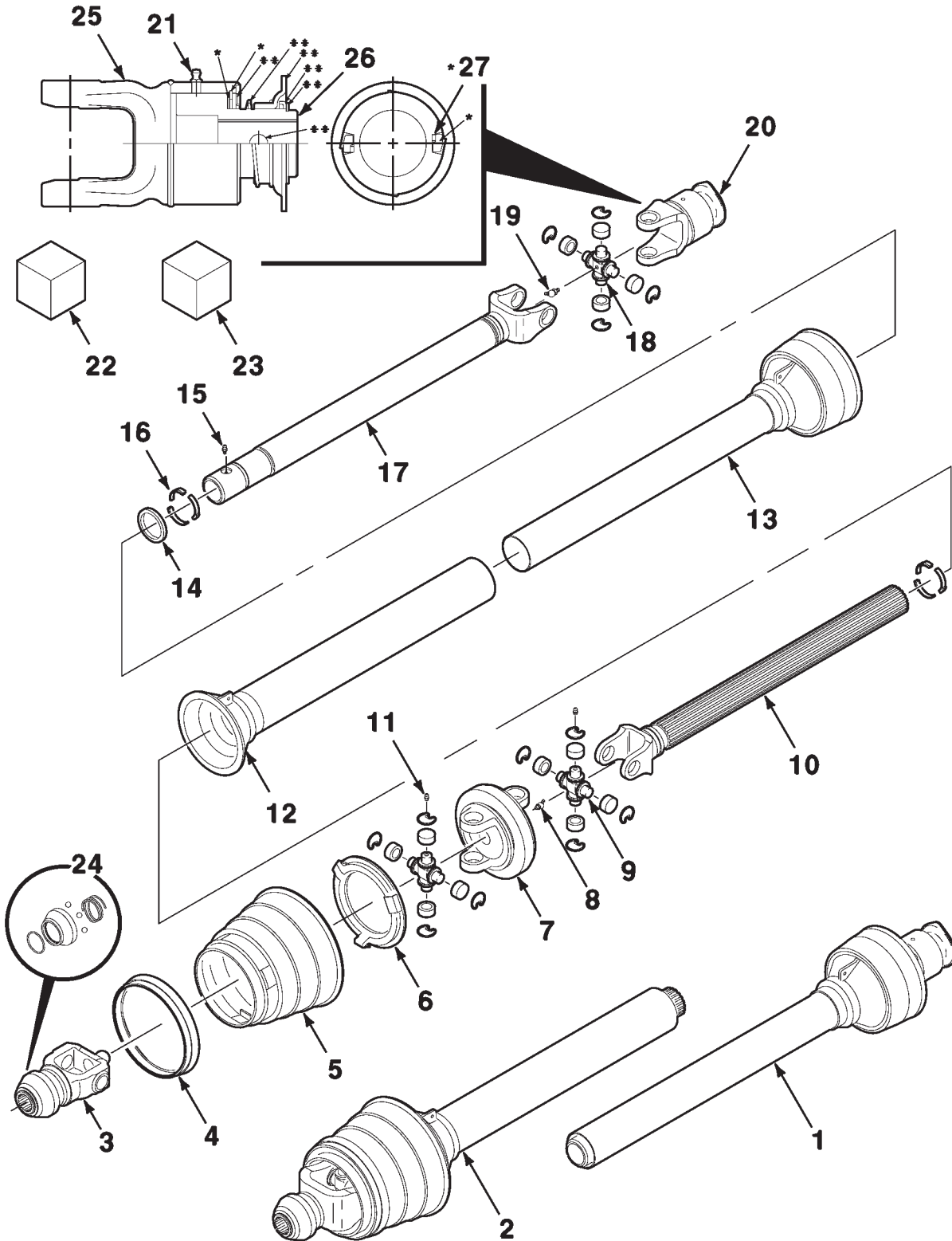
TONGUE AND PRIMARY DRIVE

ITEM	NUMBER	QTY	DESCRIPTION
1	70924744	8	CAPSCREW, 5/8-11 X 1-1/2
2	70917373	8	WASHER-SPRING, 5/8
3	70932665	8	NUT, 5/8-11
4	705541	2	WASHER-PLAIN, 1/2
5	70921176	2	CAPSCREW, 1/2-13 X 1-1/4
6	Y704742	2	NUT-LOCK, FLANGE, 1/2-13
7	6355697	2	BUSHING
8	758441	1	SPRING-TENSION
9	700112487	1	WINDGUARD
10	700112476	1	TONGUE WA
11	700112491	1	SHIELD-PTO
12	70919439	6	NUT-LIGHT STOP, 3/8-16
13	70917378	6	WASHER-PLAIN, 3/8
14	58107B	6	SPRING-COMPRESSION
15	1662964	1	PLATE-PRESSURE
16	700710945	2	DISC-CLUTCH
17	700112494	1	DISC WA-PLATE
18	Y852749	1	BUSHING-BRONZE
19	70923938	6	CAPSCREW, 3/8-16 X 3-1/2
20	700112497	1	PILOT ASSEMBLY-CLUTCH
20	Y852749	1	BUSHING-BRONZE
21	700131737	1	WRAPPER-SHIELD
22	70417	6	SCREW-FULL THREAD, 1/4-20 X 1/2
23	353769X1	3	WASHER-PLAIN, 1/4
24	7774839	3	NUT-LOCK, 1/4-20
25	700131736	3	SUPPORT-CLIP
26	70920415	3	CAPSCREW, 3/8-16 X 1-1/4
27	70916965	3	WASHER-SPRING, 3/8
28	Y705582	8	WASHER-PLAIN, 5/8

700112205-0

1835 RECTANGULAR BALER  
DRIVES

IMPLEMENT DRIVELINE (NEAPCO)  
(S.N. HN63101 THRU HR63182)



**1835 RECTANGULAR BALER  
DRIVES**

13

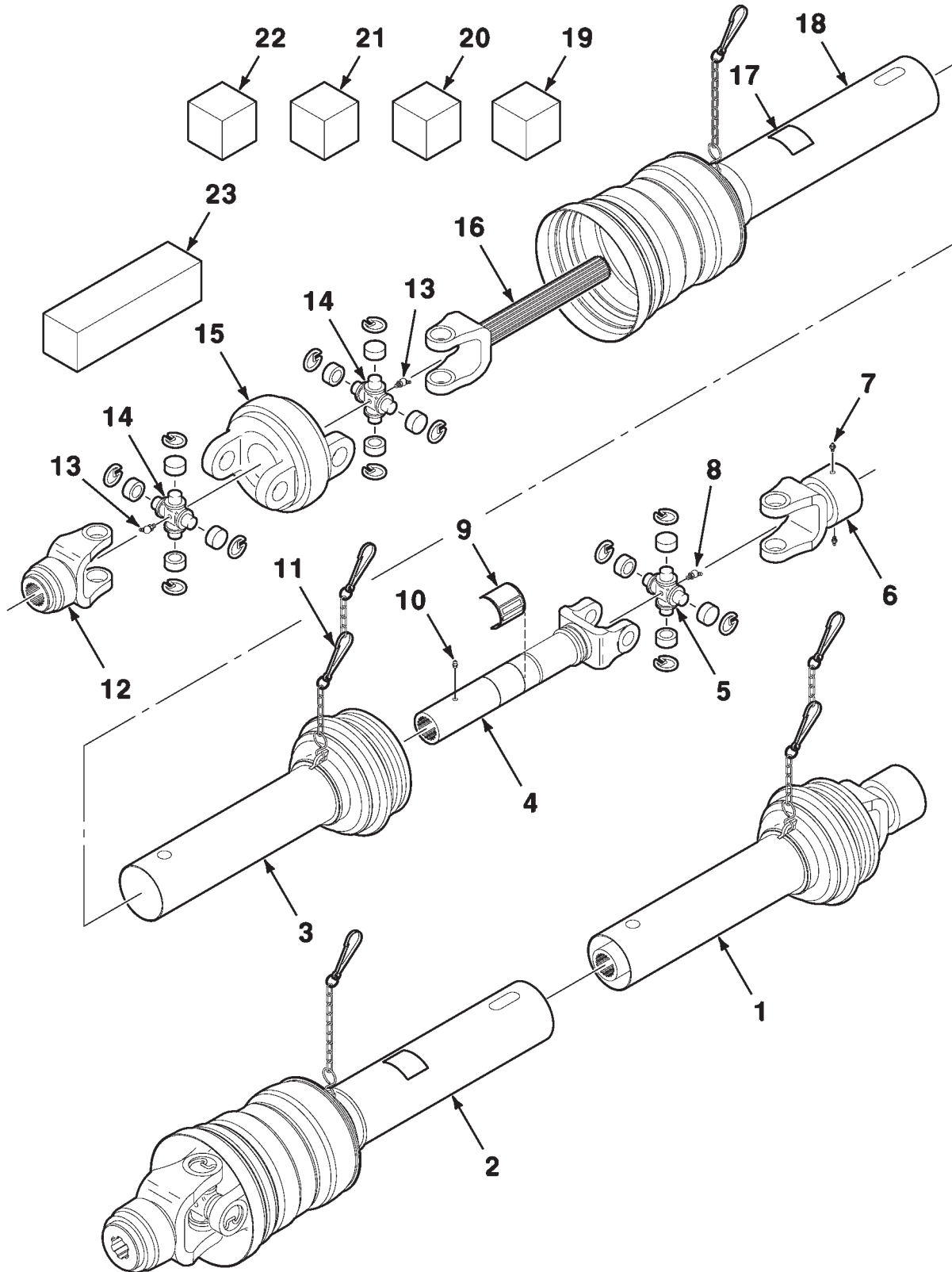
**IMPLEMENT DRIVELINE (NEAPCO)  
(S.N. HN63101 THRU HR63182)**

ITEM	NUMBER	QTY	DESCRIPTION
1	700713771	1	DRIVELINE ASSEMBLY HALF-IMPLEMENT
2	700713770	1	DRIVELINE ASSEMBLY HALF-TRACTOR
3	700713772	1	COLLAR-SLIDE QD
3	700714200	1	SLIDE REPAIR KIT
4	700713774	1	C.V. OUTER RING
5	700713778	1	C.V. CONE
6	700713775	1	C.V. BEARING
7	700713777	1	C.V. HOUSING ASSEMBLY
8	70925731	1	ZERK, 1/4-28 X 45 Degree
9	700713773	2	CROSS AND BEARING KIT
9	70923219	1	ZERK, 1/4-28
10	700713779	1	YOKE and SHAFT
11	70923219	2	ZERK, 1/4-28
12	700713780	1	SHIELD-OUTER
13	700713783	1	SHIELD-INNER
14	700709718	1	BEARING-SHIELD SUPPORT
15	700713833	1	ZERK-DRIVE, 3/16 X 25/64
16	700713781	2	SHIELD-BEARING
17	700713782	1	YOKE, TUBE and SLEEVE
18	30368E91	1	CROSS AND BEARING KIT
18	70915275	1	ZERK, 1/8-27 X 65 Degree
19	70915275	1	ZERK, 1/8-27 X 65 Degree
20	700713785	1	CLUTCH ASSEMBLY-OVER RUNNING
20	77552	1	ZERK
20	700713861	1	PAWL KIT (Includes Item with*)
20	700713862	1	SLIDE COLLAR KIT (Includes Item with**)
20	700714001	1	YOKE-CLUTCH
21	77552	1	ZERK
22	700713861	1	PAWL KIT (Includes Item with*)
23	700713862	1	SLIDE COLLAR KIT (Includes Item with**)
24	700714200	1	SLIDE REPAIR KIT (Includes Spring, Collar, Retainer and 3 Balls)
25	700714001	1	YOKE-CLUTCH
26	700717864	1	HUB-INNER
27	700710684	2	SPRING-LEAF

700713766-0

1835 RECTANGULAR BALER  
DRIVES

IMPLEMENT DRIVELINE ASSEMBLY (WEASLER)  
(S.N. HR63183 AND LATER)





**1835 RECTANGULAR BALER  
DRIVES**

15

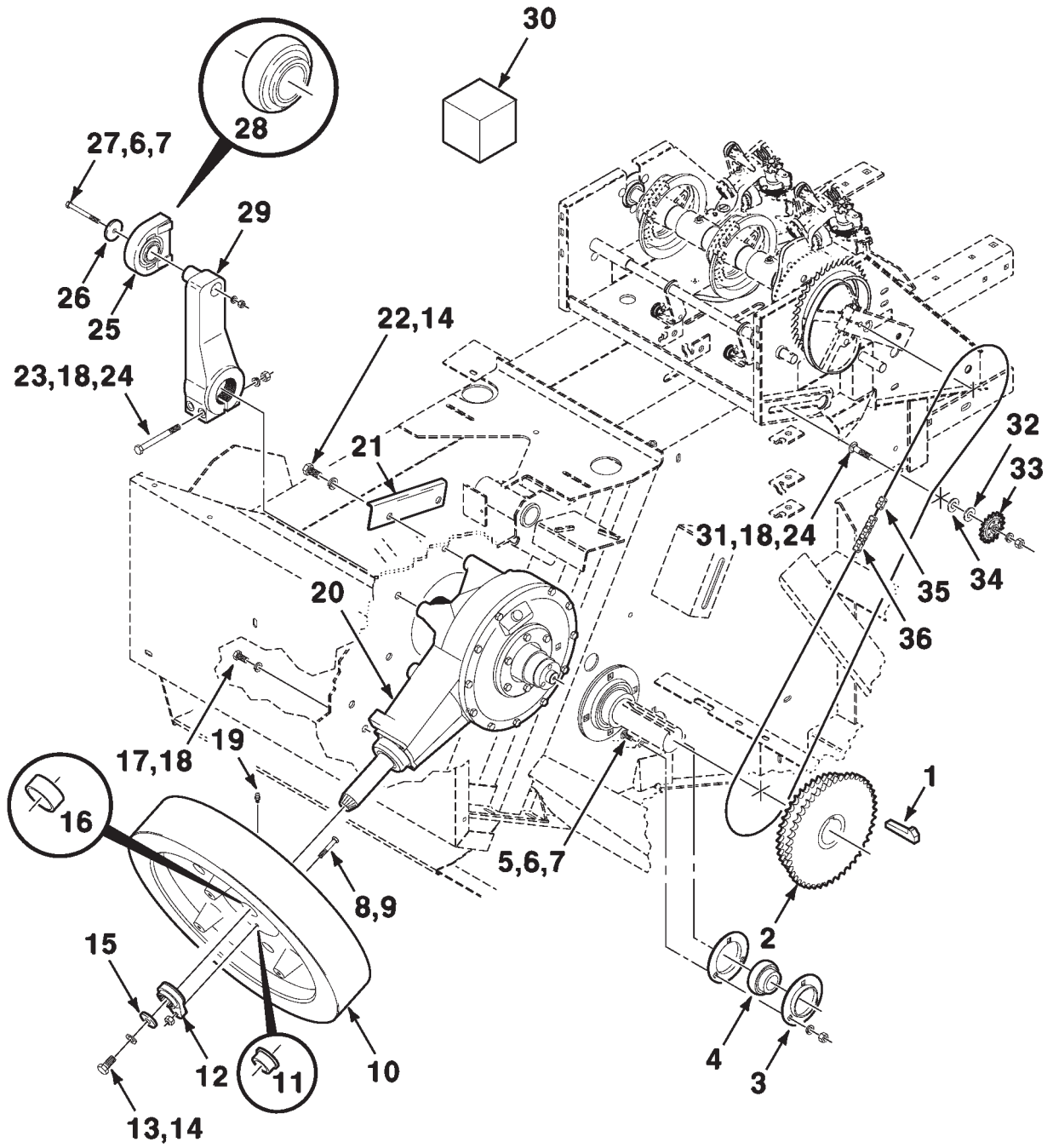
**IMPLEMENT DRIVELINE ASSEMBLY (WEASLER)  
(S.N. HR63183 AND LATER)**

ITEM	NUMBER	QTY	DESCRIPTION
1	700727816	1	DRIVELINE ASSEMBLY HALF-IMPLEMENT
2	700727817	1	DRIVELINE ASSEMBLY HALF-TRACTOR
3	700727820	1	GUARD-INNER
4	700727822	1	YOKE, TUBE AND SLEEVE
5	700712733	1	CROSS AND BEARING KIT
5	70915275	1	ZERK, 1/8-27 X 65 Degree
6	700727824	1	CLUTCH-OVERRUNNING
7	70914465	1	ZERK, 1/8-27
8	70915275	1	ZERK, 1/8-27 X 65 Degree
9	700708583	1	DECAL-DANGER, SHIELD MISSING
10	700712767	1	ZERK-DRIVE, 3/16 X 15/32
11	700720152	3	CHAIN KIT
12	700727819	1	YOKE-AUTO LOCK
13	70923219	2	ZERK, 1/4-28
14	700712748	2	CROSS AND BEARING KIT
14	70923219	1	ZERK, 1/4-28
15	700723463	1	HOUSING-CENTER
16	700727823	1	YOKE AND SHAFT
17	700707960	1	DECAL-SAFETY
18	700727821	1	GUARD-OUTER
19	700727963	1	REPAIR KIT-GUARD, IMPLEMENT
20	700727810	1	CLUTCH REPAIR KIT
21	700720122	1	REPAIR KIT-AUTO LOCK
22	700727962	1	REPAIR KIT-GUARD, TRACTOR
23	700727815	1	GUARD SET

700727809-0

1835 RECTANGULAR BALER  
DRIVES

MAIN DRIVE



**1835 RECTANGULAR BALER  
DRIVES**

17

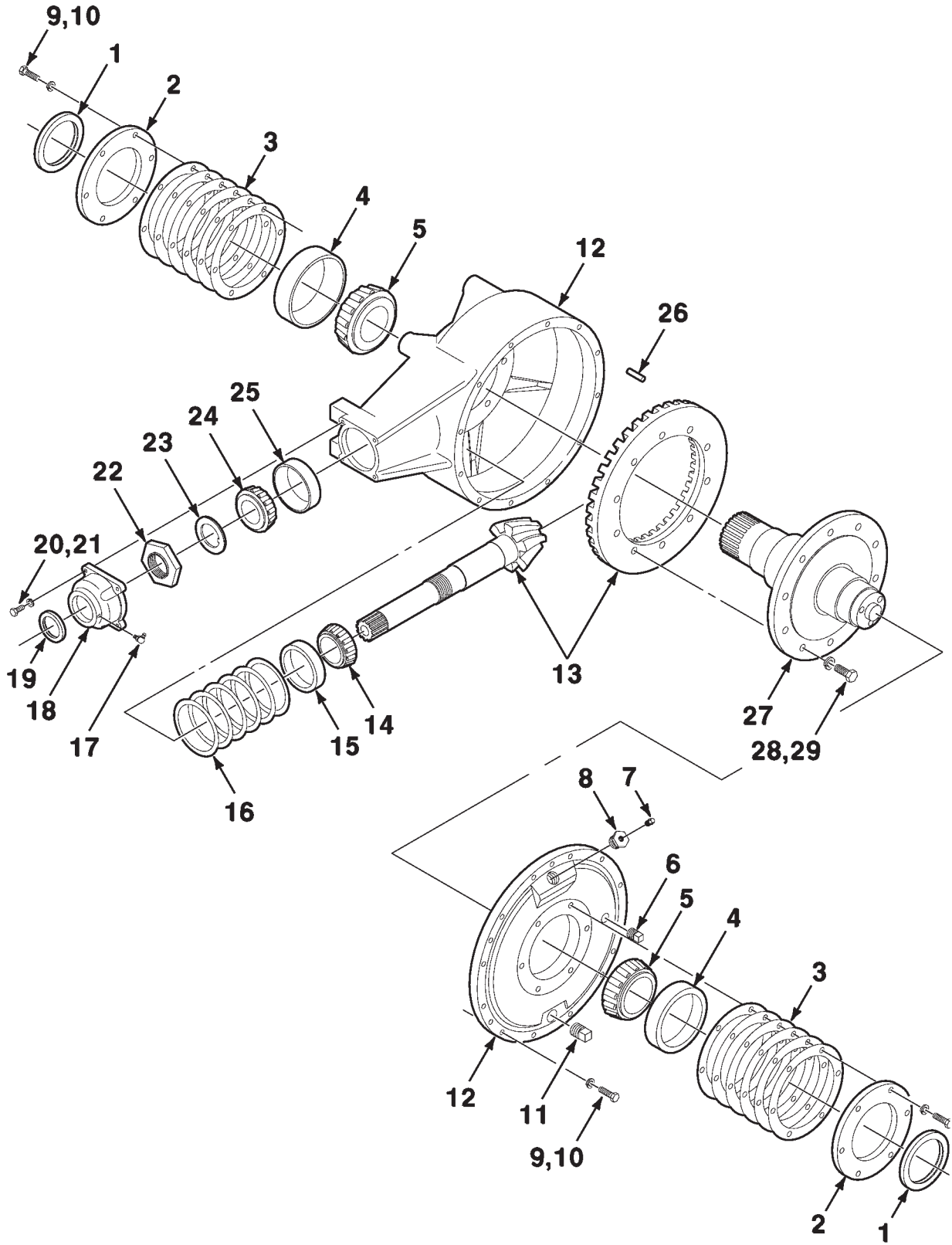
**MAIN DRIVE**

ITEM	NUMBER	QTY	DESCRIPTION
1	61747	1	KEY-GIB, 1/2 X 2-1/2
2	700112226	1	SPROCKET WA-DOUBLE, 40 and 44 TOOTH
3	50534M	2	FLANGE-BEARING
4	71308984	1	BEARING-SPHERICAL
5	70922786	3	BOLT-CARRIAGE, 3/8-16 X 1
6	70916965	4	WASHER-SPRING, 3/8
7	70916950	4	NUT, 3/8-16
8	70921978	1	CAPSCREW, 5/16-18 X 2
9	Y704163	1	NUT-LOCK, 5/16-18
10	700112225	1	FLYWHEEL
10	6853592	1	SLEEVE-SHEAR
10	700705831	1	BEARING-BRONZE
11	6853592	1	SLEEVE-SHEAR
12	700112236M	1	ARM-SHEAR BOLT
13	70924744	1	CAPSCREW, 5/8-11 X 1-1/2
14	70917373	7	WASHER-SPRING, 5/8
15	6855423	1	WASHER
16	700705831	1	BEARING-BRONZE
17	70923114	2	CAPSCREW, 1/2-13 X 1
18	Y705046	5	WASHER-SPRING, 1/2
19	70923219	1	ZERK, 1/4-28
20	700112212	1	GEARBOX ASSEMBLY
21	700112232	1	STRAP
22	70923151	6	CAPSCREW, 5/8-11 X 1-1/4
23	70920272	2	CAPSCREW, 1/2-13 X 5
24	704031	3	NUT, 1/2-13
25	700112336	1	BEARING ASSEMBLY
25	712539	1	BEARING-SPHERICAL
26	6875314	1	WASHER
27	70921324	1	CAPSCREW, 3/8-16 X 3-3/4
28	712539	1	BEARING-SPHERICAL
29	700112218	1	ARM-CRANK
30	700112472	1	SHEAR BOLT KIT
30	70921978	15	CAPSCREW, 5/16-18 X 2
30	7704117	15	NUT-LOCK, 5/16-18
31	70929095	1	BOLT-CARRIAGE, 1/2-13 X 2-1/4
32	705541	1	WASHER-PLAIN, 1/2
33	47142	1	SPROCKET-IDLER, 50B17 TOOTH
34	Y705582	1	WASHER-PLAIN, 5/8
35	Y47530	1	LINK-CONNECTOR, No. 50 R/C
36	700704967	1	CHAIN-ROLLER, No. 50 (163 Pitches)
36	70921049	1	CHAIN-ROLLER, No. 50 (10 FOOT BULK)

700112207-1

1835 RECTANGULAR BALER  
DRIVES

GEARBOX ASSEMBLY  
(700112212 GEARBOX ASSEMBLY)



**1835 RECTANGULAR BALER  
DRIVES**

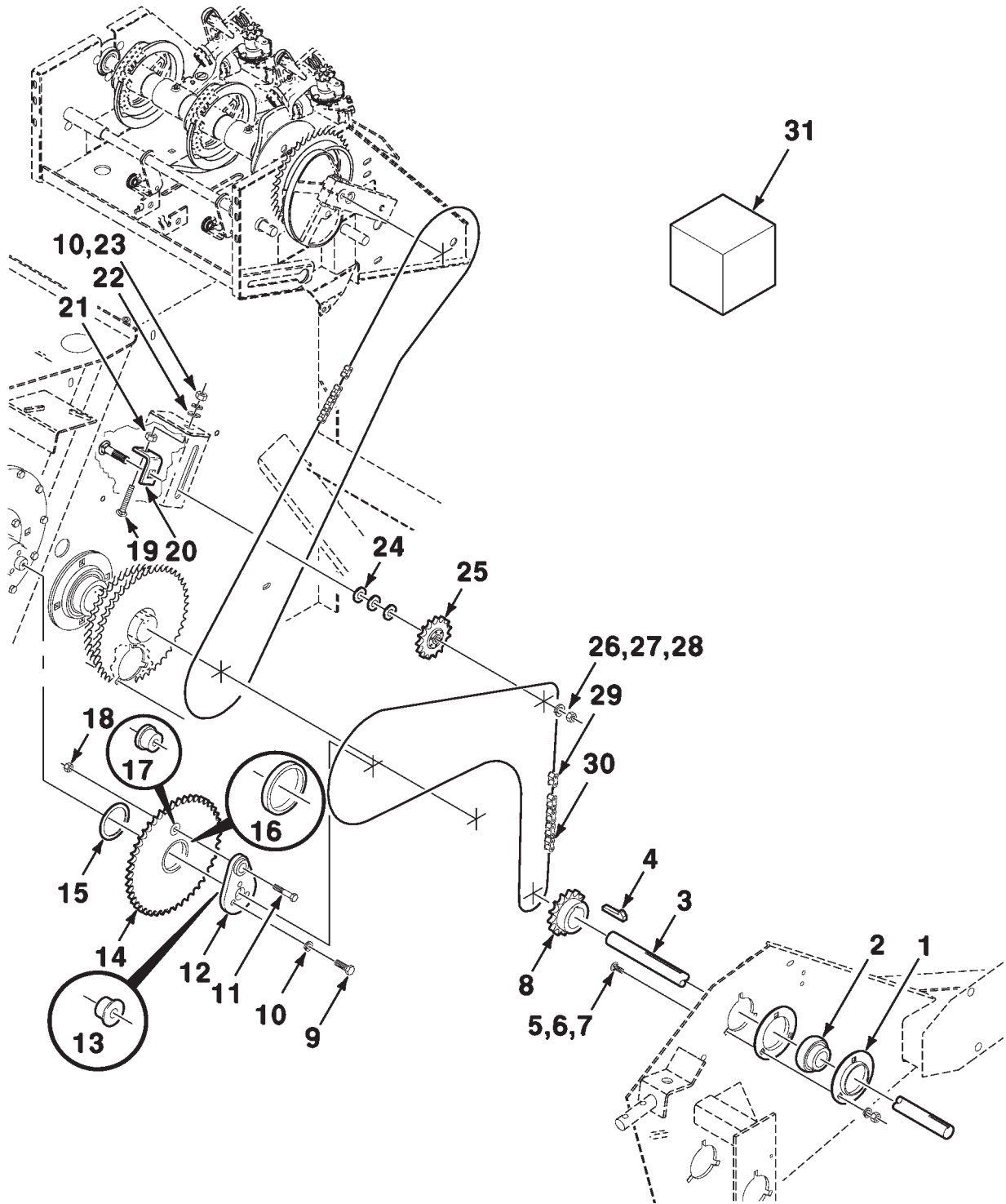
19

**GEARBOX ASSEMBLY  
(700112212 GEARBOX ASSEMBLY)**

ITEM	NUMBER	QTY	DESCRIPTION
-	700112212	1	GEARBOX ASSEMBLY
1	1057234M1	2	SEAL-OIL
2	700112215M	2	RETAINER-BEARING
3	8801953	8	SHIM-.010
3	8801961	1	SHIM-.012
3	8801979	1	SHIM-.015
4	7714371	2	CUP-BEARING
5	700704966	2	CONE-BEARING
6	70905261	1	PLUG, 1/2-14
7	7751605	1	PLUG-VENT
8	803783	1	BUSHING-REDUCER
9	70920415	24	CAPSCREW, 3/8-16 X 1-1/4
10	70916965	24	WASHER-SPRING, 3/8
11	8746638	1	PLUG-DRAIN, MAGNET
12	700112213	1	HOUSING and COVER
13	8802019	1	GEAR SET-HYPOID (PINION and RING GEAR)
14	8050676	1	CUP-BEARING
15	808345	1	CUP-BEARING
16	700704962	2	SHIM-.010
16	700704963	1	SHIM-.012
16	700704964	1	SHIM-.015
17	70925731	1	ZERK, 1/4-28 X 45 Degree
18	6855613	1	CAP-END
19	8044778	1	SEAL-GREASE
20	70921332	4	CAPSCREW, 5/16-18 X 3/4
21	70917356	4	WASHER-SPRING, 5/16
22	700703426	1	NUT-STAKE
23	876359	1	WASHER-KEYED
24	74253936	1	CONE-BEARING
25	17201X	1	CUP-BEARING
26	Y763417	4	PIN-DOWEL, 3/8 X 1-1/4
27	700112216	1	HUB-CRANK
28	8701708	10	CAPSCREW, GR8, NON-PLATED, 1/2-13 X 1-1/4
29	Y705046	10	WASHER-SPRING, 1/2

700112212-0

MAIN DRIVE (Continued)



**1835 RECTANGULAR BALER  
DRIVES**

21

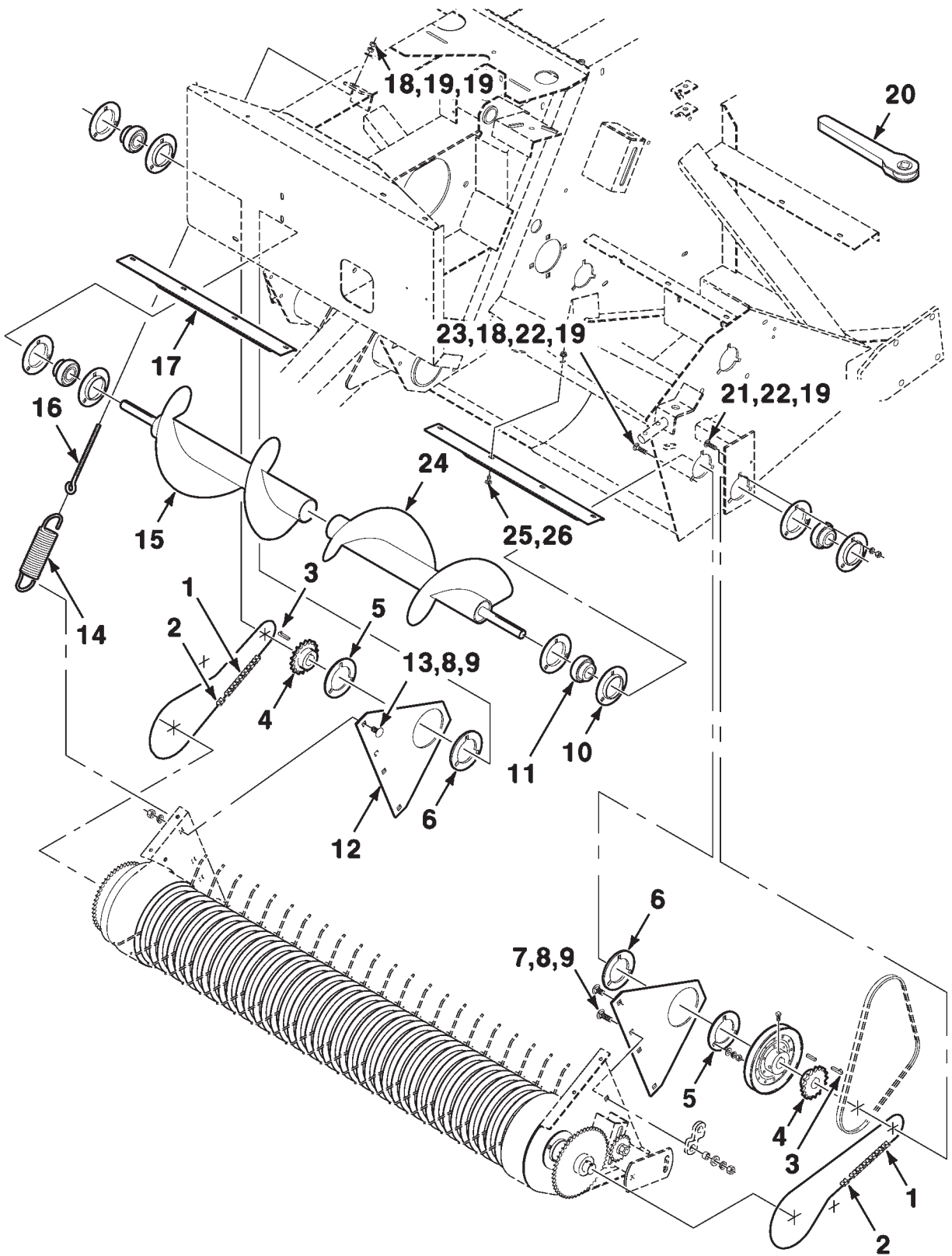
**MAIN DRIVE (Continued)**

ITEM	NUMBER	QTY	DESCRIPTION
1	50534M	2	FLANGE-BEARING
2	71308984	1	BEARING-SPHERICAL
3	700112233M	1	SHAFT-DRIVE, PICKUP
4	61622	1	KEY-GIB, 1/4 X 1-1/2
5	70922786	3	BOLT-CARRIAGE, 3/8-16 X 1
6	70916965	3	WASHER-SPRING, 3/8
7	70916950	3	NUT, 3/8-16
8	7747074	1	SPROCKET 60B14 TOOTH
9	70922726	3	CAPSCREW, GR8, 1/2-20 X 1-1/2
10	Y705046	4	WASHER-SPRING, 1/2
11	6521868	1	CAPSCREW, 7/16-14 X 2-1/8
12	700112223	1	ARM ASSEMBLY
12	7852718	1	SLEEVE-SHEAR
13	7852718	1	SLEEVE-SHEAR
14	700112220M	1	SPROCKET ASSEMBLY-60B44 TOOTH
14	700705916	1	BUSHING-BRONZE
14	700112222	1	SLEEVE-SHEAR
15	700112230	1	WASHER
16	700705916	1	BUSHING-BRONZE
17	700112222	1	SLEEVE-SHEAR
18	7774995	1	NUT, 7/16-14
19	7770803	1	BOLT-CARRIAGE, FULL THREAD, 1/2-13 X 5
20	700112234	1	ANGLE-TIGHTENER
21	704056	1	NUT-HALF, 1/2-13
22	705541	1	WASHER-PLAIN, 1/2
23	704031	1	NUT, 1/2-13
24	Y705582	3	WASHER-PLAIN, 5/8
25	71378873	1	SPROCKET-IDLER, 15 TOOTH
26	70933955	1	BOLT-CARRIAGE, 5/8-11 X 2-3/4
27	70917373	1	WASHER-SPRING, 5/8
28	70932665	1	NUT, 5/8-11
29	47365	1	LINK-CONNECTOR, No. 60 R/C
30	87213	1	CHAIN-ROLLER, No. 60 (117 Pitches)
30	70921050	1	CHAIN-ROLLER, No. 60 (10 FOOT BULK)
31	6521868	1	SHEAR BOLT KIT
31	6521868	10	CAPSCREW, 7/16-14 X 2-1/8
31	7774995	10	NUT, 7/16-14

700112207-2

1835 RECTANGULAR BALER  
DRIVES

PICKUP AND AUGER DRIVE





**1835 RECTANGULAR BALER  
DRIVES**

23

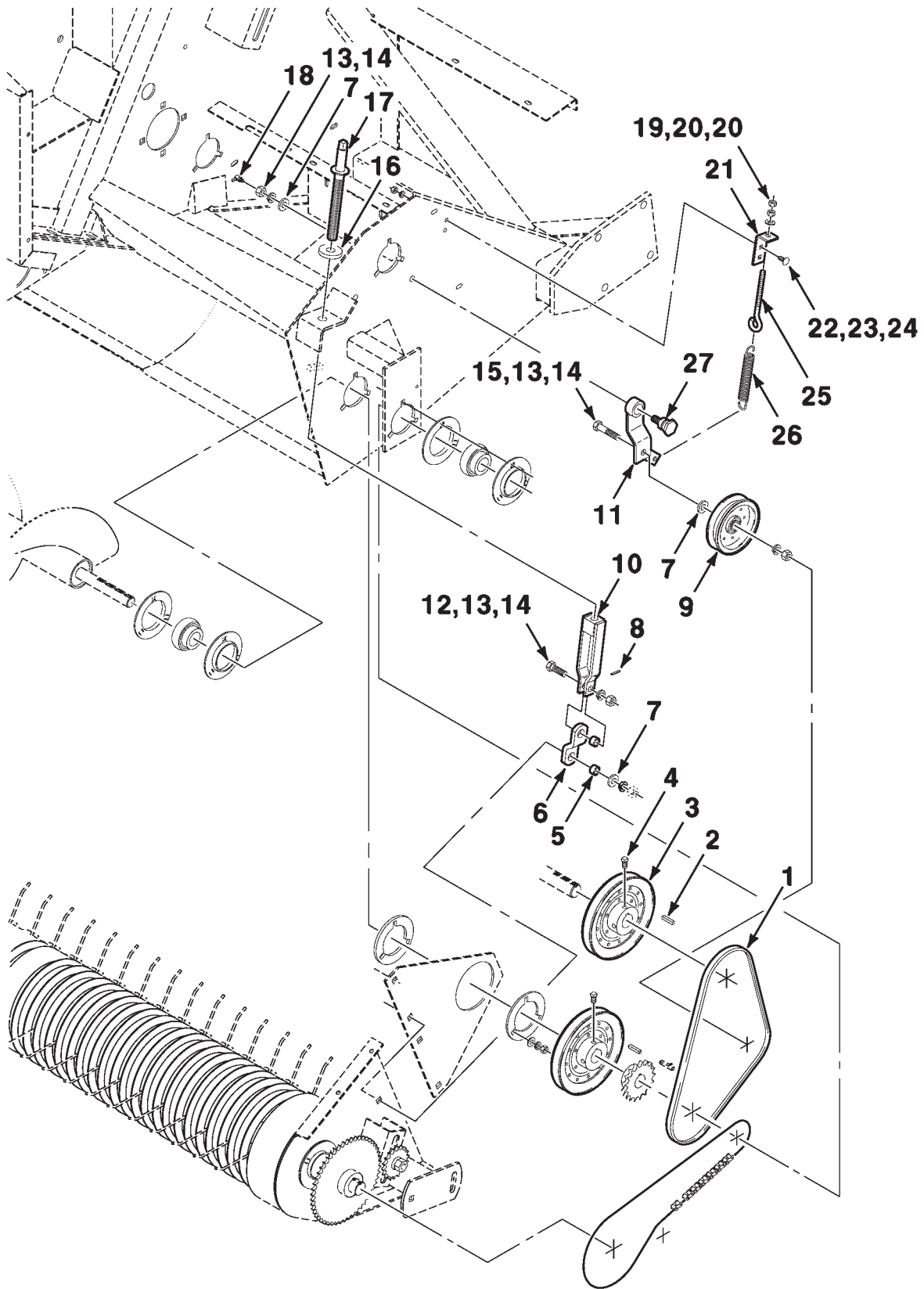
**PICKUP AND AUGER DRIVE**

ITEM	NUMBER	QTY	DESCRIPTION
1	7749369	2	CHAIN-ROLLER, No.40 (99 Pitches)
1	7085988	1	CHAIN-ROLLER, No. 40 (10 FOOT BULK)
2	70915515	2	LINK-CONNECTOR, No. 40 R/C
3	Y61424	2	KEY-GIB, 1/4 X 1-1/4
4	700112390M	2	SPROCKET WA-24 TOOTH
5	700112401M	2	FLANGE
6	700112400M	2	SPACER-PIVOT
7	70926838	1	BOLT-CARRIAGE, 1/2-13 X 1-1/2
8	Y705046	7	WASHER-SPRING, 1/2
9	704031	7	NUT, 1/2-13
10	50534M	8	FLANGE-BEARING
11	71308984	4	BEARING-SPHERICAL
12	700112399	2	PLATE-PIVOT, PICKUP
13	70928367	6	BOLT-CARRIAGE, 1/2-13 X 1
14	700706020	1	SPRING-EXTENSION
15	700112394M	1	AUGER WA-RIGHT
16	766394	1	BOLT-EYE, 3/8-16 X 7
17	700116559M	2	STRIPPER
18	Y705533	1	WASHER-PLAIN, 3/8
19	70916950	8	NUT, 3/8-16
20	700706021	1	WRENCH-RATCHET
21	768036	6	BOLT-CARRIAGE, 3/8-16 X 1-1/2
22	70916965	6	WASHER-SPRING, 3/8
24	700112393M	1	AUGER WA-LEFT
25	70931333	8	BOLT-CARRIAGE, 5/16-18 X 3/4
26	70931277	8	NUT-LOCK, FLANGE, 5/16-18

700112204-1

1835 RECTANGULAR BALER  
DRIVES

PICKUP AND AUGER DRIVE (Continued)



**1835 RECTANGULAR BALER  
DRIVES**

25

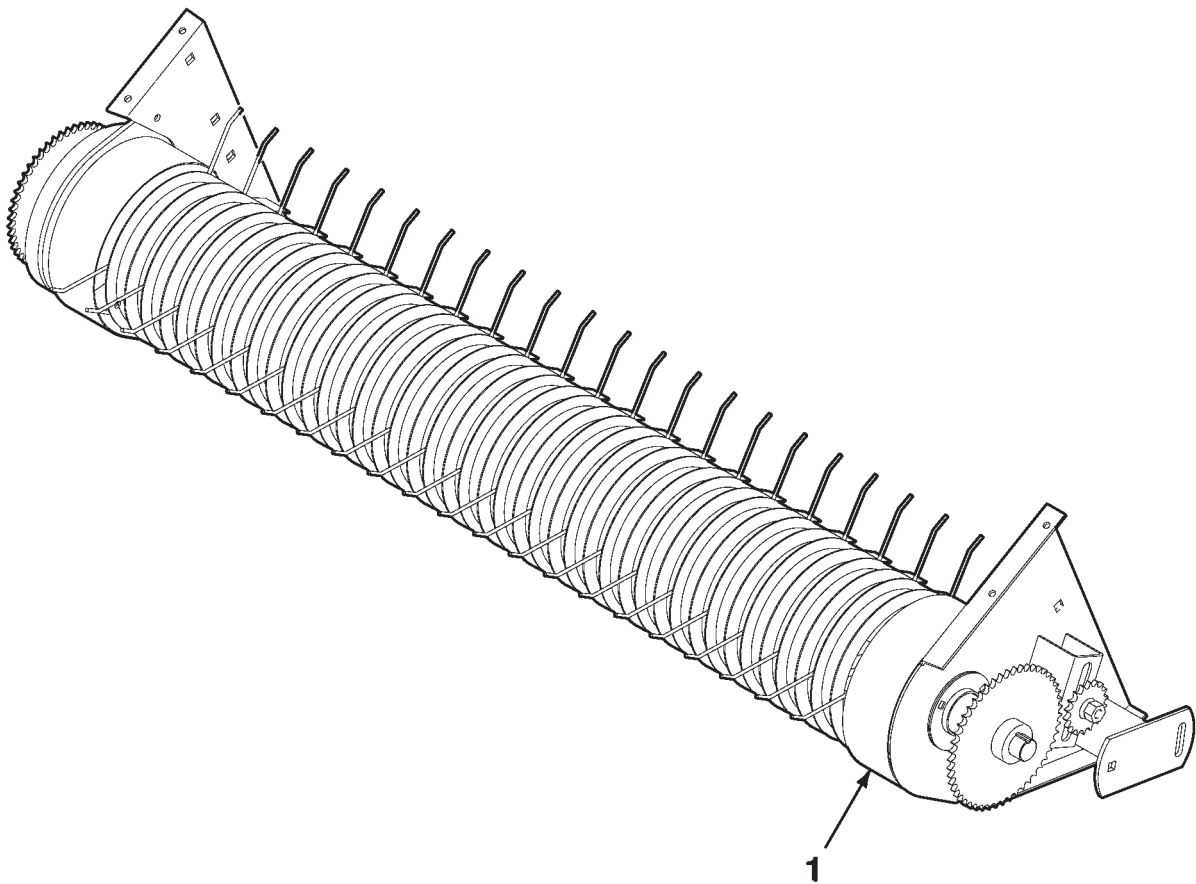
**PICKUP AND AUGER DRIVE (Continued)**

ITEM	NUMBER	QTY	DESCRIPTION
1	Y57604	1	V-BELT
2	10722X	2	KEY-SQUARE, 1/4 X 1/4 X 1-1/4
3	Y854463	2	SHEAVE
4	70920468	4	SETSCREW-SQUARE HEAD, NON-PLATED, 3/8-16 X 5/8
5	6825293	2	SPACER
6	700112413	1	SUPPORT
7	705541	3	WASHER-PLAIN, 1/2
8	70926228	1	PIN-SLOTTED SPRING, 5/32 X 1
9	53553	1	V-IDLER
10	700112410	1	STRAP WA
11	700112402M	1	ARM WA-IDLER
12	701235	1	CAPSCREW, 1/2-13 X 1-1/2
13	Y705046	3	WASHER-SPRING, 1/2
14	704031	3	NUT, 1/2-13
15	70922645	1	CAPSCREW, 1/2-13 X 2-1/4
16	700706024	1	SPACER
17	700112407	1	SCREW WA
18	77057	1	ZERK, 1/4-28 X 90 Degree
19	Y705533	1	WASHER-PLAIN, 3/8
20	70916950	2	NUT, 3/8-16
21	700112406	1	SUPPORT-SPRING
22	70931333	2	BOLT-CARRIAGE, 5/16-18 X 3/4
23	70917356	2	WASHER-SPRING, 5/16
24	Y704015	2	NUT, 5/16-18
25	114140	1	BOLT-EYE, 1/2-13 X 4-1/2
26	58420	1	SPRING-EXTENSION
27	700112405	1	SCREW-SHOULDER, SPECIAL, 1/2-13

700112204-2

1835 RECTANGULAR BALER  
PICKUP

PICKUP ASSEMBLY



**1835 RECTANGULAR BALER  
PICKUP**

**27**

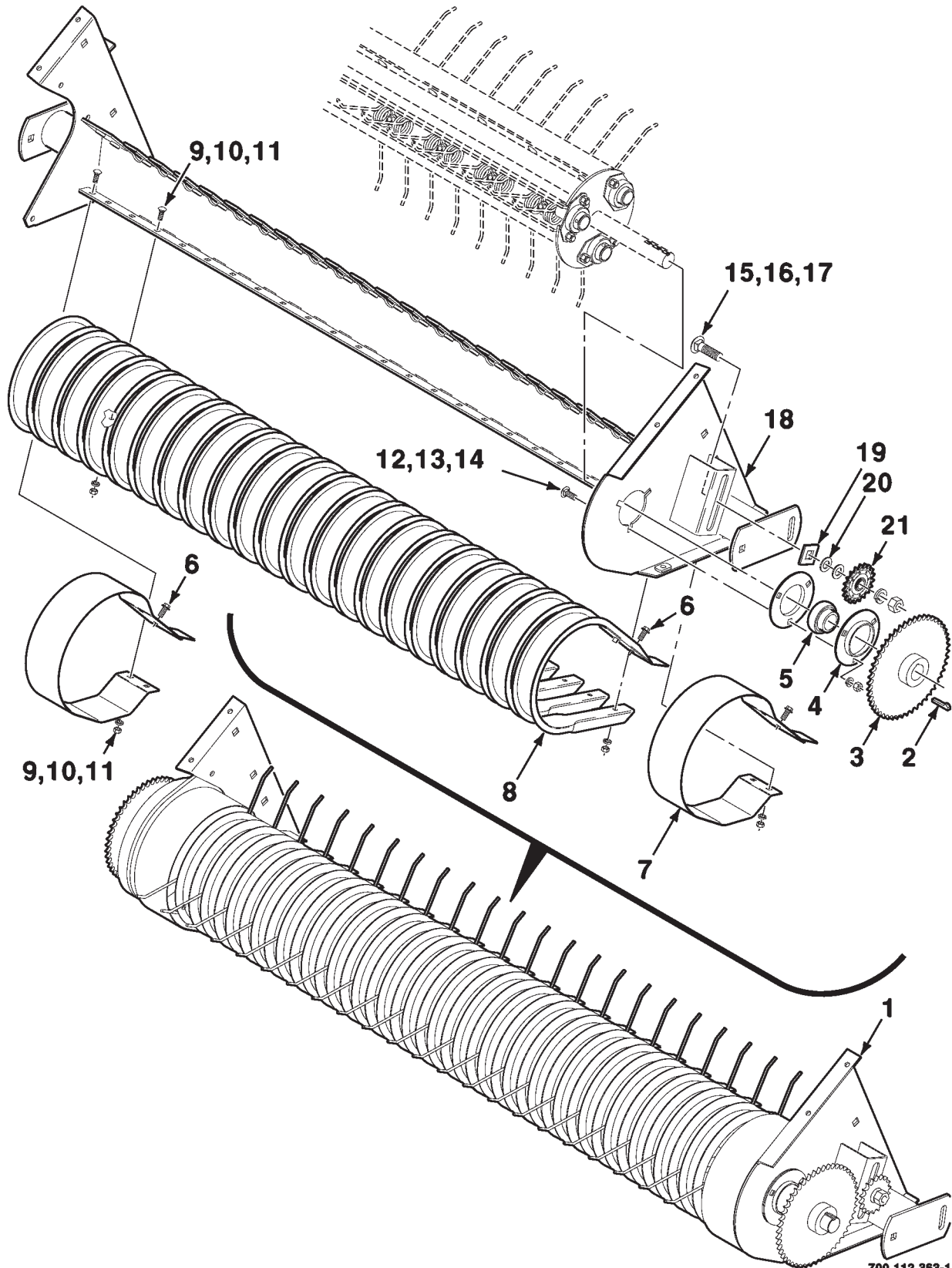
**PICKUP ASSEMBLY**

ITEM	NUMBER	QTY	DESCRIPTION
1	700112363	1	PICKUP ASSEMBLY

700112363-3

1835 RECTANGULAR BALER  
PICKUP

PICKUP FRAME, DRIVE AND WRAPPER-LEFT



1835 RECTANGULAR BALER  
PICKUP

29

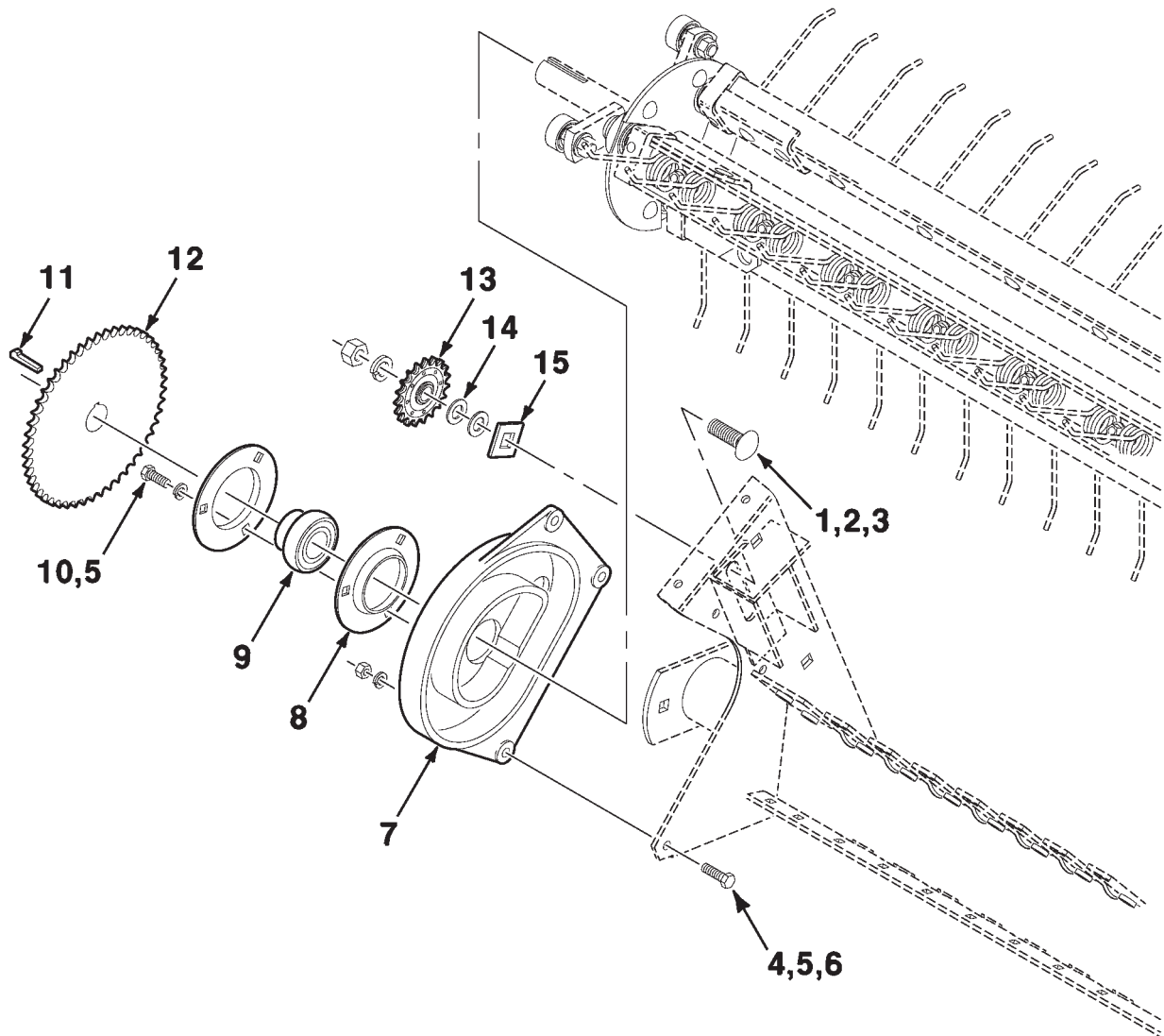
PICKUP FRAME, DRIVE AND WRAPPER-LEFT

ITEM	NUMBER	QTY	DESCRIPTION
1	700112363	1	PICKUP ASSEMBLY
2	Y61424	1	KEY-GIB, 1/4 X 1-1/4
3	700112388	1	SPROCKET WA-50 TOOTH
4	50534M	2	FLANGE-BEARING
5	71308984	1	BEARING-SPHERICAL
6	Y703132	23	SCREW-FLANGE, 5/16-18 X 3/4
7	700112389	2	SHIELD-WRAPPER
8	700112379M	21	WRAPPER-TINE
9	70931333	25	BOLT-CARRIAGE, 5/16-18 X 3/4
10	70917356	25	WASHER-SPRING, 5/16
11	Y704015	25	NUT, 5/16-18
12	70922786	3	BOLT-CARRIAGE, 3/8-16 X 1
13	70916965	3	WASHER-SPRING, 3/8
14	70916950	3	NUT, 3/8-16
15	70926675	1	BOLT-CARRIAGE, 5/8-11 X 2-1/4
16	70917373	1	WASHER-SPRING, 5/8
17	70932665	1	NUT, 5/8-11
18	700112364	1	PICKUP FRAME WA
19	700115572M	1	WASHER-SPECIAL
20	52233	2	BUSHING-NARROW, 5/8 X 14
21	47977	1	SPROCKET-IDLER, 18 TOOTH

700112363-1

1835 RECTANGULAR BALER  
PICKUP

PICKUP AND CAM-RIGHT





1835 RECTANGULAR BALER  
PICKUP

31

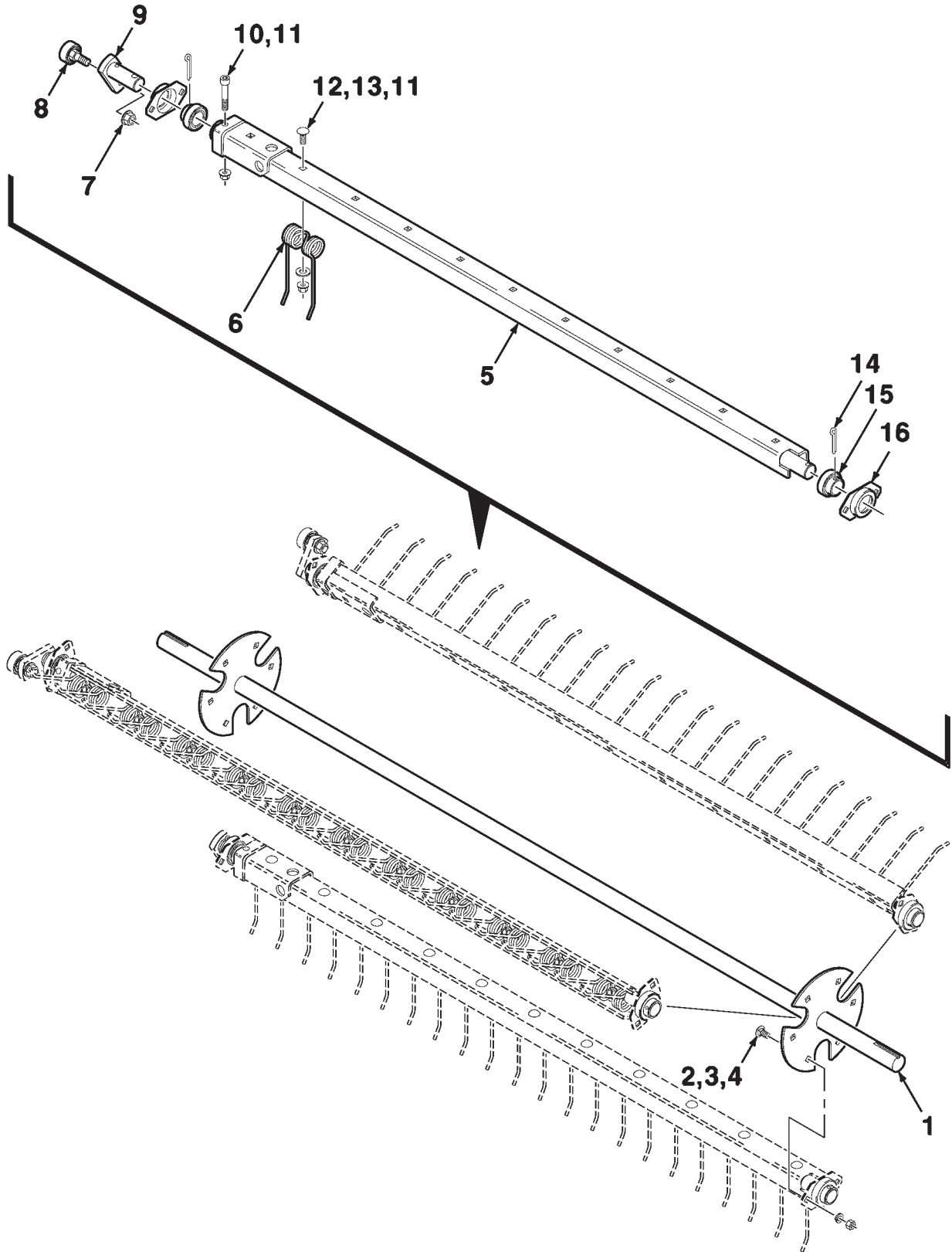
PICKUP AND CAM-RIGHT

ITEM	NUMBER	QTY	DESCRIPTION
1	7870165	1	BOLT-CARRIAGE, 5/8-11 X 2
2	70917373	1	WASHER-SPRING, 5/8
3	70932665	1	NUT, 5/8-11
4	70920415	3	CAPSCREW, 3/8-16 X 1-1/4
5	70916965	6	WASHER-SPRING, 3/8
6	70916950	3	NUT, 3/8-16
7	700116125P	1	TRACK-CAM
8	51417	2	FLANGE-BEARING
9	51292	1	BEARING-SPHERICAL
10	70921210	3	CAPSCREW, 3/8-16 X 1
11	Y61424	1	KEY-GIB, 1/4 X 1-1/4
12	700112388	1	SPROCKET WA-50 TOOTH
13	47977	1	SPROCKET-IDLER, 18 TOOTH
14	52233	2	BUSHING-NARROW, 5/8 X 14
15	700115572M	1	WASHER-SPECIAL

700112363-2

1835 RECTANGULAR BALER  
PICKUP

PICKUP TINE



1835 RECTANGULAR BALER  
PICKUP

33

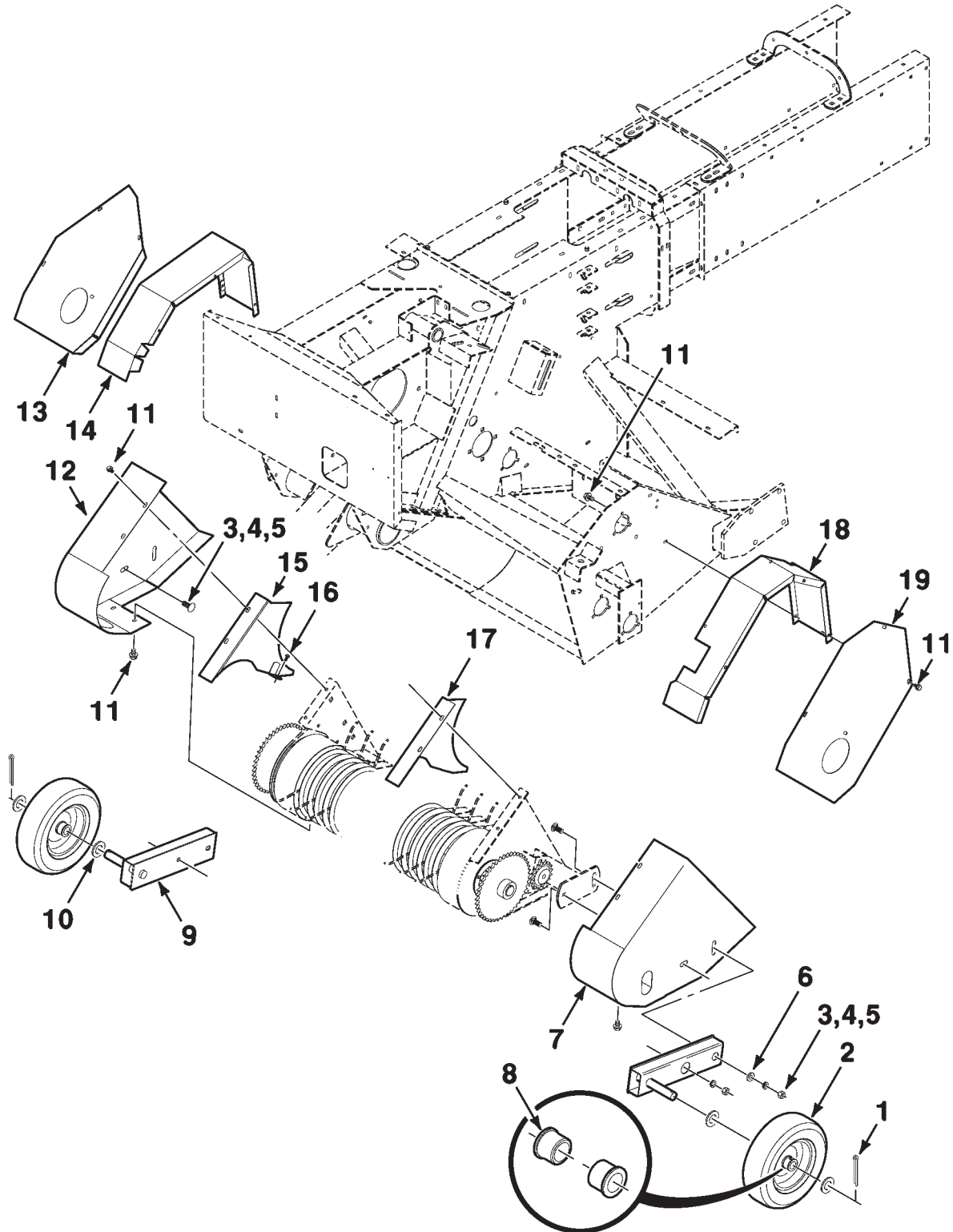
PICKUP TINE

ITEM	NUMBER	QTY	DESCRIPTION
1	700112381	1	ROTOR WA-PICKUP
2	70922784	12	BOLT-CARRIAGE, 3/8-16 X 3/4
3	70916965	12	WASHER-SPRING, 3/8
4	70916950	12	NUT, 3/8-16
5	700112386	3	CHANNEL WA-TINE
6	700703860	33	TINE-DOUBLE
7	700707867	3	NUT-LOCK, FLANGE, 1/2-20
8	700705612	3	BEARING-CAM, FOLLOWER
9	700131723	3	CRANK WA-TINE BAR
10	70912270	3	SCREW-SOCKET SPECIAL, 3/8-16 X 2-1/4
11	Y704734	36	NUT-LOCK, FLANGE, 3/8-16
12	70922786	33	BOLT-CARRIAGE, 3/8-16 X 1
13	Y705533	33	WASHER-PLAIN, 3/8
14	62307	6	PIN-COTTER, 1/4 X 2
15	Y710392	6	BEARING-CYLINDRICAL
16	700108622	6	FLANGE-BEARING

700112380-0

1835 RECTANGULAR BALER  
PICKUP

PICKUP GAUGE WHEELS AND SHIELDS



1835 RECTANGULAR BALER  
PICKUP

35

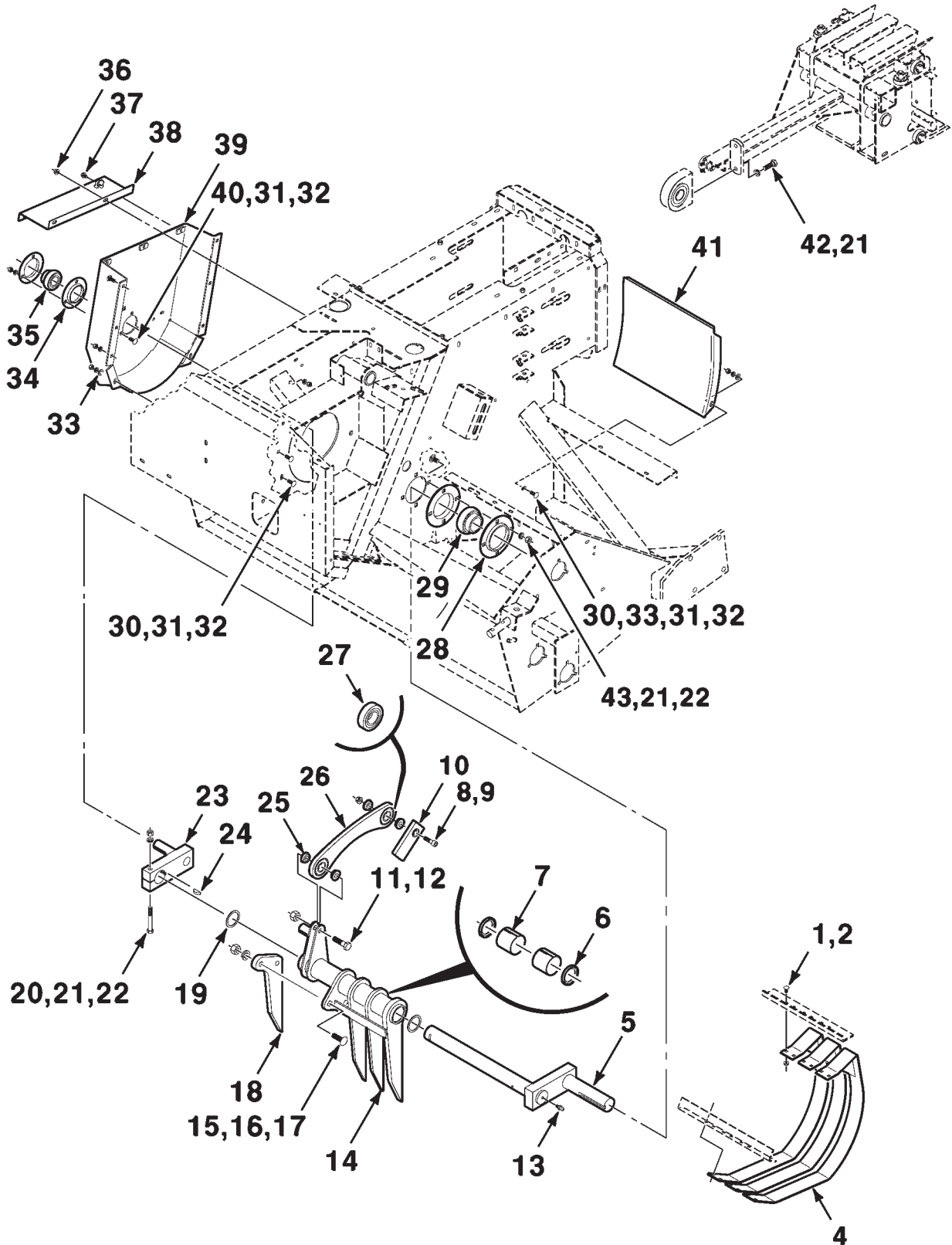
PICKUP GAUGE WHEELS AND SHIELDS

ITEM	NUMBER	QTY	DESCRIPTION
1	932036	2	PIN-COTTER, 3/16 X 1-1/2
2	700707953	2	WHEEL ASSEMBLY-GAUGE
2	700712011	1	BUSHING
3	68619	4	BOLT-CARRIAGE, 1/2-13 X 1-1/4
4	Y705046	4	WASHER-SPRING, 1/2
5	704031	4	NUT, 1/2-13
6	705541	2	WASHER-PLAIN, 1/2
7	700112285M	1	SHIELD WA-END, LEFT
8	700712011	4	BUSHING
9	700112269M	2	STRUT WA-GAUGE WHEEL
10	705574	4	WASHER-PLAIN, 1
11	7771322	20	SCREW-FLANGE, 5/16-18 X 1/2
12	700112288M	1	SHIELD WA-RIGHT
13	700112274M	1	SHIELD-SIDE, RIGHT
14	700112280M	1	SHIELD WA-RIGHT
15	700111511M	1	SHIELD WA-AUGER, RIGHT
16	Y703132	2	SCREW-FLANGE, 5/16-18 X 3/4
17	700111510P	1	SHIELD WA-AUGER, LEFT
18	700112278P	1	SHIELD WA-LEFT
19	700112273P	1	SHIELD-SIDE, LEFT

700114911-0

1835 RECTANGULAR BALER  
CHARGE AND PLUNGER

CHARGE AND STUFFER



**1835 RECTANGULAR BALER  
CHARGE AND PLUNGER**

37

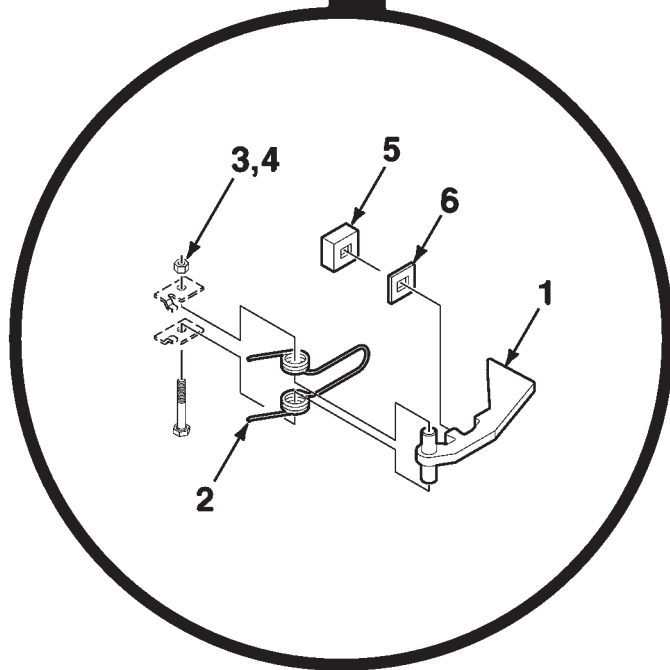
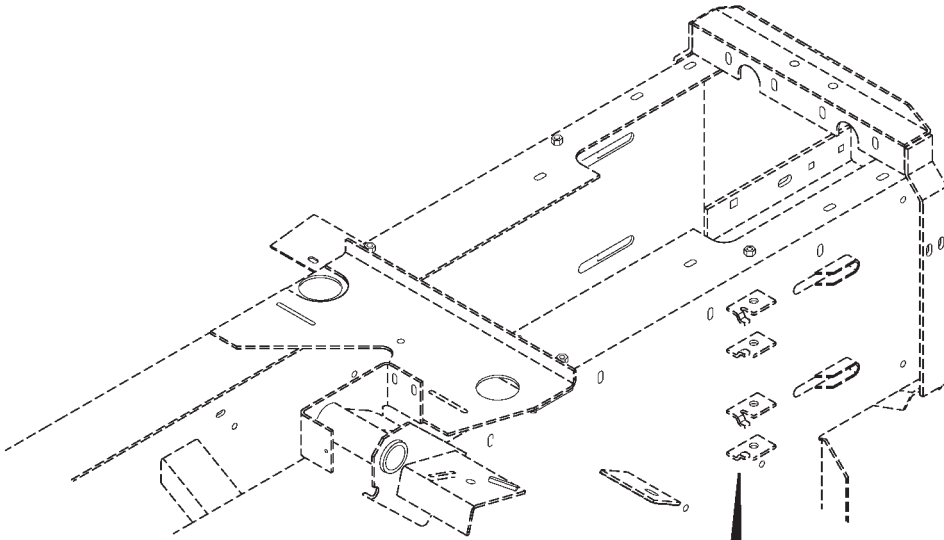
**CHARGE AND STUFFER**

ITEM	NUMBER	QTY	DESCRIPTION
1	70931333	12	BOLT-CARRIAGE, 5/16-18 X 3/4
2	70931277	12	NUT-LOCK, FLANGE, 5/16-18
4	700117031	3	WRAPPER
5	700112335	1	CRANK WA
6	700706005	2	SEAL-GREASE
7	700706007	2	BUSHING-BEARING
8	771931	1	SCREW-SHOULDER, 1/2-13 X 5/8 X 1-1/2
9	Y704742	1	NUT-LOCK, FLANGE, 1/2-13
10	700119239M	1	SHAFT WA-PIVOT
11	70921360	1	CAPSCREW, 5/8-11 X 2-1/4
12	70926937	1	NUT-LOCK, 5/8-11
13	77065	1	ZERK, 1/8-27
14	700119281	1	FORK ASSEMBLY-STUFFER
14	700706005	2	SEAL-GREASE
14	700706007	2	BUSHING-BEARING
15	7870165	2	BOLT-CARRIAGE, 5/8-11 X 2
16	70917373	2	WASHER-SPRING, 5/8
17	70932665	2	NUT, 5/8-11
18	700112340M	1	FINGER-STUFFER
19	Y52548	2	BUSHING-NARROW, 2 X 14 GAUGE
20	7701600	1	CAPSCREW, 1/2-13 X 3-3/4
21	Y705046	7	WASHER-SPRING, 1/2
22	704031	5	NUT, 1/2-13
23	700112322	1	ARM WA-RIGHT
24	Y761197	1	KEY-WOODRUFF, 5/16 X 1-3/8
25	700124038	4	BUSHING
26	700137060	1	LINK ASSEMBLY
26	1109055	2	BEARING
27	1109055	2	BEARING
28	713958	2	FLANGE-BEARING
29	712943	1	BEARING-SPHERICAL
30	70922786	10	BOLT-CARRIAGE, 3/8-16 X 1
31	70916965	13	WASHER-SPRING, 3/8
32	70916950	13	NUT, 3/8-16
33	Y705533	4	WASHER-PLAIN, 3/8
34	50534M	2	FLANGE-BEARING
35	71308984	1	BEARING-SPHERICAL
36	704247	2	NUT-LOCK, FLANGE, 3/8-16
37	7771322	3	SCREW-FLANGE, 5/16-18 X 1/2
38	700112351M	1	SHIELD-STUFFER
39	700112343M	1	SHIELD-SUPPORT
40	70923220	3	BOLT-CARRIAGE, 3/8-16 X 1-1/4
41	700112354	2	PANEL-REAR
42	701235	2	CAPSCREW, 1/2-13 X 1-1/2
43	70928367	4	BOLT-CARRIAGE, 1/2-13 X 1

700117023-0

1835 RECTANGULAR BALER  
CHARGE AND PLUNGER

HAYDOG MOUNTING (CHAMBER)





**1835 RECTANGULAR BALER  
CHARGE AND PLUNGER**

**39**

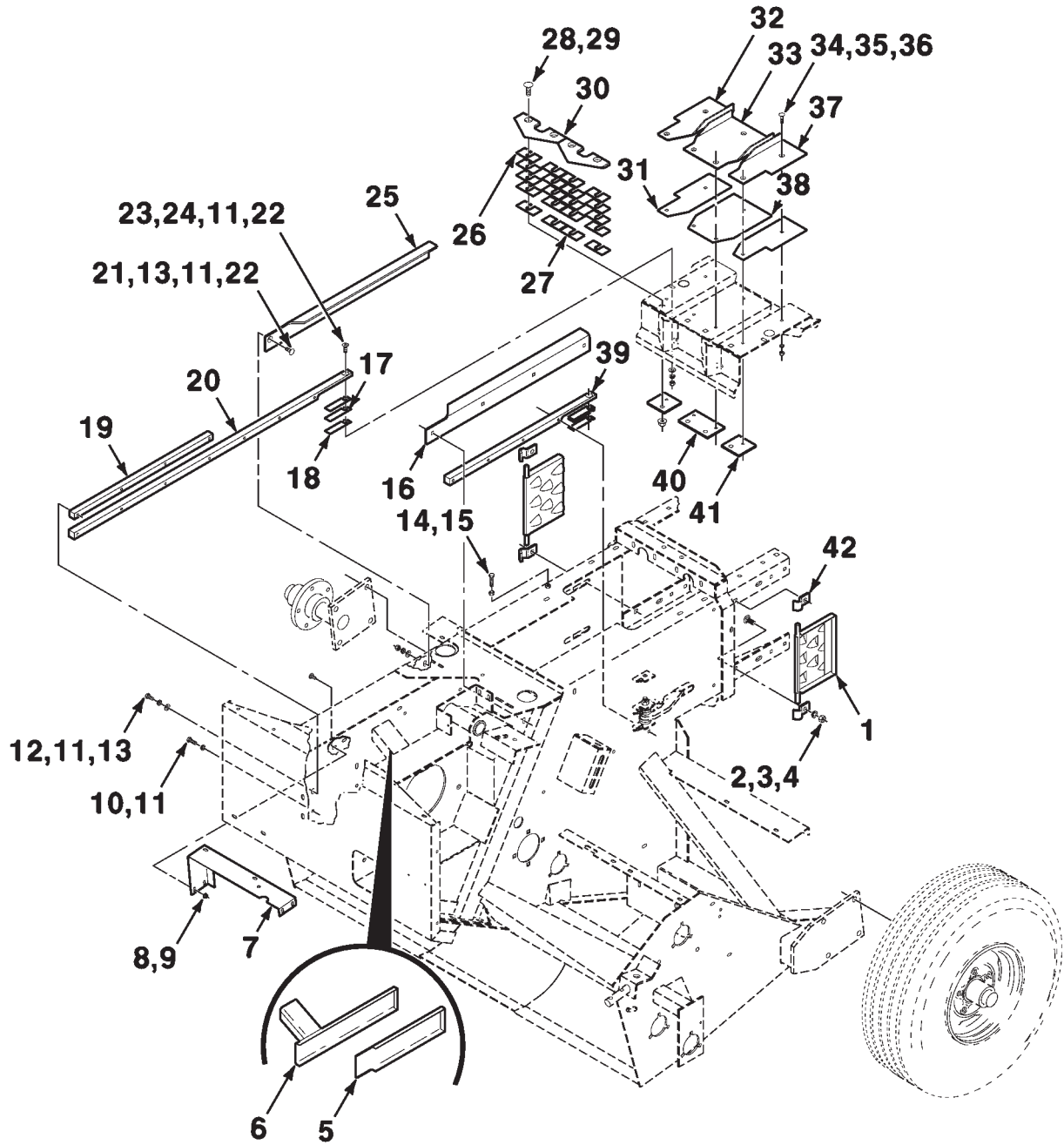
**HAYDOG MOUNTING (CHAMBER)**

ITEM	NUMBER	QTY	DESCRIPTION
1	700117281	4	HAYDOG
2	700707863	4	SPRING-TORSION
3	70923502	4	CAPSCREW, 1/2-13 X 4
4	704858	4	NUT-LOCK, 1/2-13
5	700703778	4	BUMPER
6	700108418	4	WASHER-SPECIAL

700112200-3

### 1835 RECTANGULAR BALER CHARGE AND PLUNGER

#### MAINFRAME AND PLUNGER



**1835 RECTANGULAR BALER  
CHARGE AND PLUNGER**

41

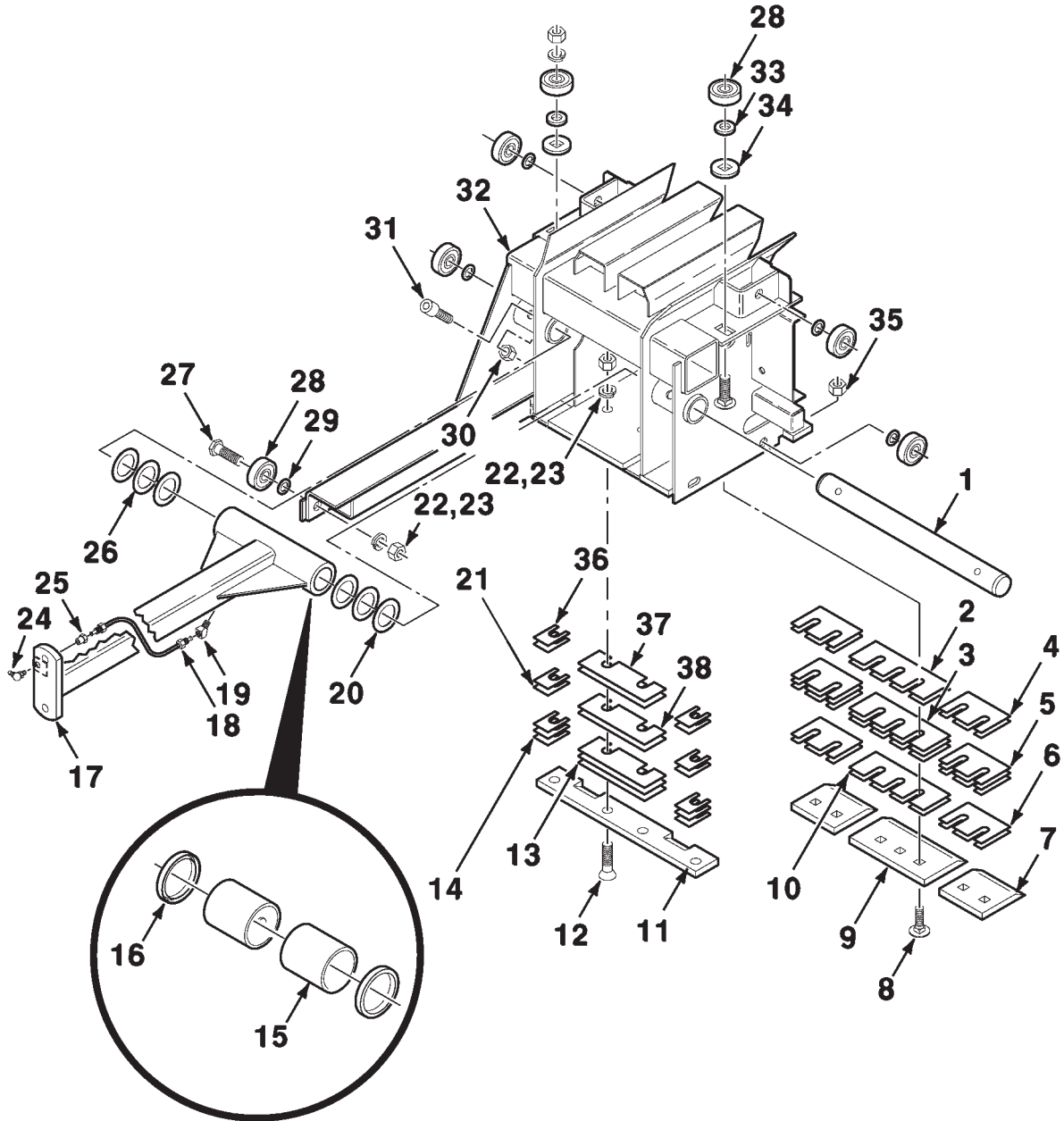
**MAINFRAME AND PLUNGER**

ITEM	NUMBER	QTY	DESCRIPTION
1	700112529	2	DOOR WA-TENSION
2	68619	4	BOLT-CARRIAGE, 1/2-13 X 1-1/4
3	Y705046	4	WASHER-SPRING, 1/2
4	704031	4	NUT, 1/2-13
5	700112542	1	CHANNEL WA-LEFT
6	700112543	1	CHANNEL-RIGHT
7	700112515	1	SUPPORT-RIGHT
8	70931333	4	BOLT-CARRIAGE, 5/16-18 X 3/4
9	70931277	4	NUT-LOCK, FLANGE, 5/16-18
10	70921210	11	CAPSCREW, 3/8-16 X 1
11	70916965	25	WASHER-SPRING, 3/8
12	70921965	4	CAPSCREW, 3/8-16 X 3/4
13	Y705533	12	WASHER-PLAIN, 3/8
14	70921974	4	CAPSCREW-FULL THREAD, 3/8-16 X 1-1/2
15	70917421	4	NUT-HALF, 3/8-16
16	700112361	1	ANGLE-LEFT
17	700108719	4	SHIM
18	700108718	2	SHIM
19	700112521M	1	RAIL-UPPER, FRONT, RIGHT
20	700112520	1	RAIL-LOWER, RIGHT
21	Y707042	8	BOLT-PLOW, 3/8-16 X 1
22	70916950	10	NUT, 3/8-16
23	70934842	2	CAPSCREW-SOCKET, 3/8-16 X 1-1/4
24	70918266	2	WASHER-PLAIN, 3/8
25	700112362	1	ANGLE-RIGHT
26	700108406	16	SHIM-.018
27	700112533	4	SHIM-.010
28	707448	4	BOLT-PLOW, 1/2-13 X 1-1/2
29	Y704742	4	NUT-LOCK, FLANGE, 1/2-13
30	700706213	2	KNIFE-STATIONARY
31	700115443	2	PLATE-SIDE, LOWER
32	700112517	1	PLATE-RIGHT
33	700112469	1	PLATE-CENTER
34	Y707356	7	BOLT-PLOW, 5/16-18 X 1-1/4
35	70917356	7	WASHER-SPRING, 5/16
36	Y704015	7	NUT, 5/16-18
37	700112518	1	PLATE-LEFT
38	700115442	1	PLATE-CENTER, LOWER
39	700112519	1	RAIL-LOWER, LEFT
40	700112514	1	REINFORCEMENT-KNIFE, CENTER
41	700112513	2	REINFORCEMENT-KNIFE
42	700112507	4	CLIP

700112200-1

1835 RECTANGULAR BALER  
CHARGE AND PLUNGER

PLUNGER ASSEMBLY



**1835 RECTANGULAR BALER  
CHARGE AND PLUNGER**

43

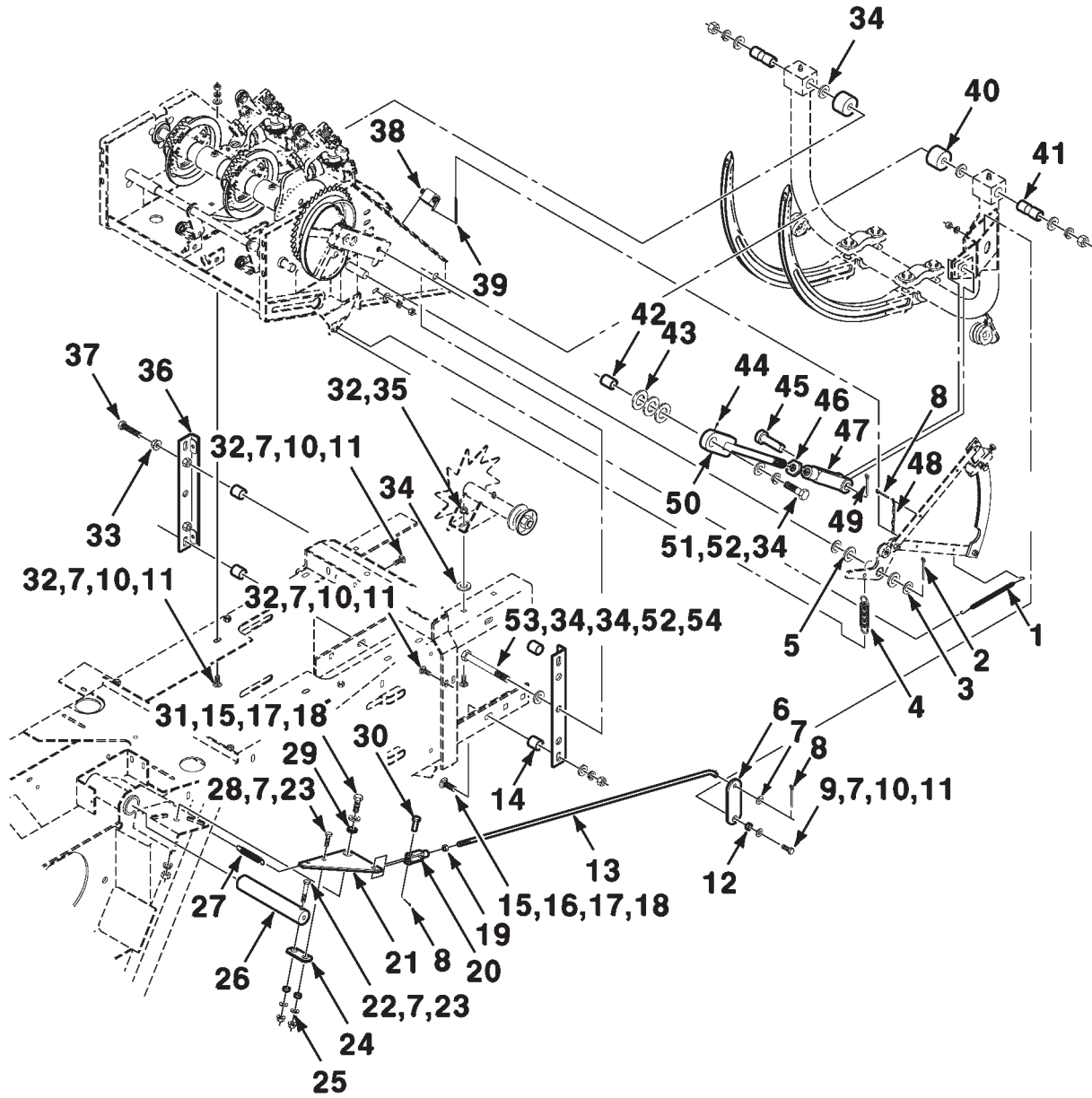
**PLUNGER ASSEMBLY**

ITEM	NUMBER	QTY	DESCRIPTION
1	700112320	1	SHAFT-PLUNGER
2	700108260	2	SHIM
3	700108263	3	SHIM
4	700112468	4	SHIM
5	700112467	6	SHIM
6	700112465	4	SHIM
7	700706004	2	KNIFE-OUTER
8	Y707455	7	BOLT-PLOW, 1/2-13 X 1-3/4
9	700703917	1	KNIFE-INNER
10	700108181	2	SHIM
11	700703916	1	KNIFE-PLUNGER
12	700702265	4	CAPSCREW-SOCKET, 5/8-11 X 2
13	700115416	3	SHIM
14	700115419	6	SHIM
15	6186506	2	BUSHING-BRONZE
16	72161951	2	SEAL-GREASE
17	700112346	1	PITMAN ASSEMBLY
17	6186506	2	BUSHING-BRONZE
17	72161951	2	SEAL-GREASE
18	700706326	1	LINE-GREASE
19	700706324	1	ELBOW, 1/8-27 X 3/8-24 X 45 Degree
20	Y52712	4	BUSHING-NARROW, 1-1/2 X 18
21	700115418	4	SHIM
22	70932665	9	NUT, 5/8-11
23	70917373	9	WASHER-SPRING, 5/8
24	70915276	1	ZERK, 1/8-27 X 90 Degree
25	700701485	1	FITTING-GREASE LINE
26	Y52282	2	BUSHING-NARROW, 1-1/2 X 14
27	700706003	5	BOLT-SPECIAL, 5/8-11 X 2
28	711770	7	BEARING-CYLINDER
29	52233	5	BUSHING-NARROW, 5/8 X 14
30	7704141	2	NUT-LOCK, 3/8-16
31	70912269	2	SCREW-SOCKET SPECIAL, 3/8-16 X 2
32	700112291	1	PLUNGER WA
33	1660993	2	WASHER-SPECIAL, 21/32 X 1-1/4 X 1/8
34	6210371	2	WASHER-SPECIAL, 21/32 X 1-3/4 X 1/4
35	704858	7	NUT-LOCK, 1/2-13
36	700115420	4	SHIM
37	700115417	2	SHIM
38	700115415	2	SHIM

700112290-0

1835 RECTANGULAR BALER  
KNOTTER

PLUNGER STOP (SAFETY) KNOTTER AND NEEDLE



## 1835 RECTANGULAR BALER

45

KNOTTER

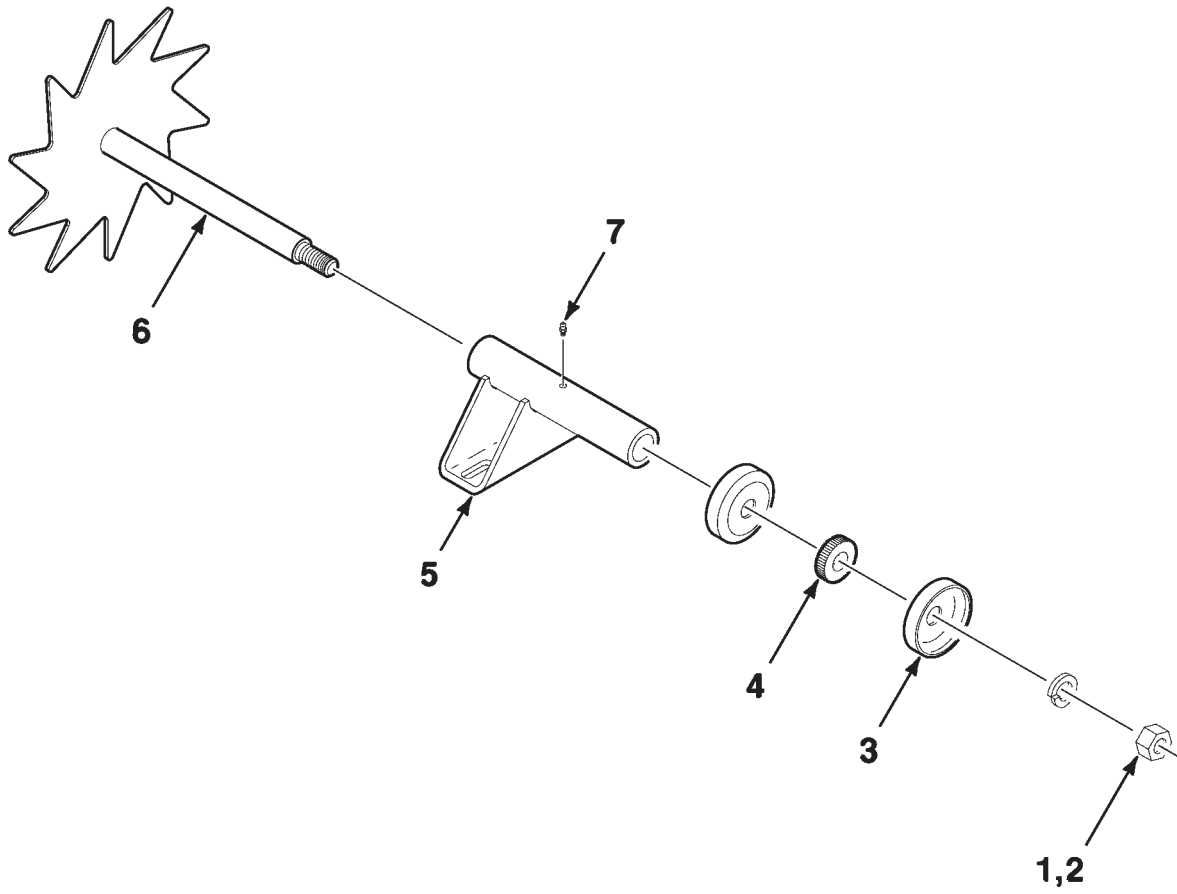
## PLUNGER STOP (SAFETY) KNOTTER AND NEEDLE

ITEM	NUMBER	QTY	DESCRIPTION
1	700712484	1	SPRING-EXTENSION
2	62232	1	PIN-COTTER, 3/16 X 1-1/4
3	52761	2	BUSHING-NARROW, 3/4 X 14
4	758268	1	SPRING-EXTENSION
5	Y705566	2	WASHER-PLAIN, 3/4
6	700112421M	1	LINK
7	Y705533	16	WASHER-PLAIN, 3/8
8	70918451	3	PIN-COTTER, 1/8 X 3/4
9	70921210	1	CAPSCREW, 3/8-16 X 1
10	70916965	13	WASHER-SPRING, 3/8
11	70916950	13	NUT, 3/8-16
12	70336568	1	BUSHING
13	700112418	1	ROD-NEEDLE, SAFETY
14	700112432	4	SPACER
15	705541	5	WASHER-PLAIN, 1/2
16	70929095	4	BOLT-CARRIAGE, 1/2-13 X 2-1/4
17	Y705046	5	WASHER-SPRING, 1/2
18	704031	5	NUT, 1/2-13
19	70923434	1	NUT, 3/8-24
20	70924121	1	CLEVIS, 3/8-24
21	700112424	1	PLATE-STOP
22	70922130	1	CAPSCREW, 3/8-16 X 2-1/4
23	Y704734	2	NUT-LOCK, FLANGE, 3/8-16
24	700112422M	1	LINK-STOP
25	6553614	2	BUSHING
26	700112423	1	SHAFT-PLUNGER, STOP
27	700758888	1	SPRING-EXTENSION
28	70920415	1	CAPSCREW, 3/8-16 X 1-1/4
29	700708272	1	BUSHING
30	63594	1	PIN-CLEVIS, 3/8 X 1-1/4
31	701235	1	CAPSCREW, 1/2-13 X 1-1/2
32	70922786	14	BOLT-CARRIAGE, 3/8-16 X 1
33	704254	4	NUT-LOCK, FLANGE, 1/2-13
34	Y705582	8	WASHER-PLAIN, 5/8
35	704247	2	NUT-LOCK, FLANGE, 3/8-16
36	700112414	2	ANGLE WA
37	702654	4	CAPSCREW-FULL THREAD, 1/2-13 X 2-1/4
38	7894470	1	COUNTER-BALE
39	7058993	1	SPRING-EXTENSION
40	285726	2	SPACER
41	700119335	2	BUSHING-SHUTTLE
42	6554034	1	BUSHING
43	705574	3	WASHER-PLAIN, 1
44	70923219	1	ZERK, 1/4-28
45	763177	1	PIN-CLEVIS, 3/4 X 2
46	375113X1	1	NUT-HALF, 3/4-10
47	66332	1	CLEVIS
48	6853469	1	CHAIN
49	62182	1	PIN-COTTER, 5/32 X 1-1/4
50	6853675	1	ROD
51	70921360	1	CAPSCREW, 5/8-11 X 2-1/4
52	70917373	3	WASHER-SPRING, 5/8
53	70925706	2	CAPSCREW, 5/8-11 X 5-1/2
54	70932665	2	NUT, 5/8-11

700124190-0

1835 RECTANGULAR BALER  
KNOTTER

STARWHEEL





1835 RECTANGULAR BALER  
KNOTTER

47

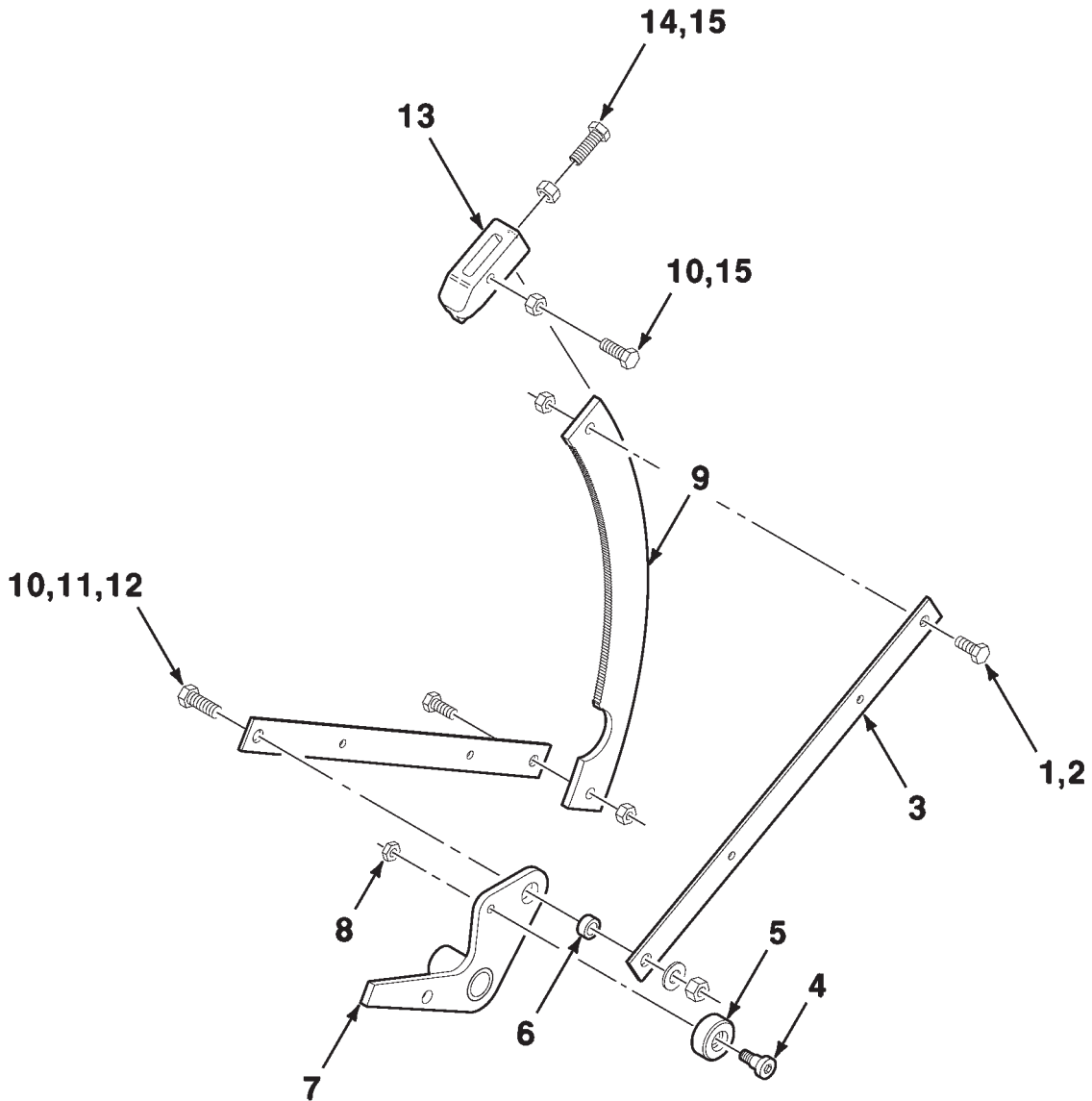
STAR WHEEL

ITEM	NUMBER	QTY	DESCRIPTION
1	70932665	1	NUT, 5/8-11
2	70917373	1	WASHER-SPRING, 5/8
3	6530471	2	SHIELD-WHEEL
4	2401516	1	SPACER-HUB
5	700122842	1	SUPPORT-WHEEL, METER
6	700112427M	1	SHAFT WA
7	70923219	1	ZERK, 1/4-28

700112426-0

1835 RECTANGULAR BALER  
KNOTTER

SPACER CAM



1835 RECTANGULAR BALER  
KNOTTER

49

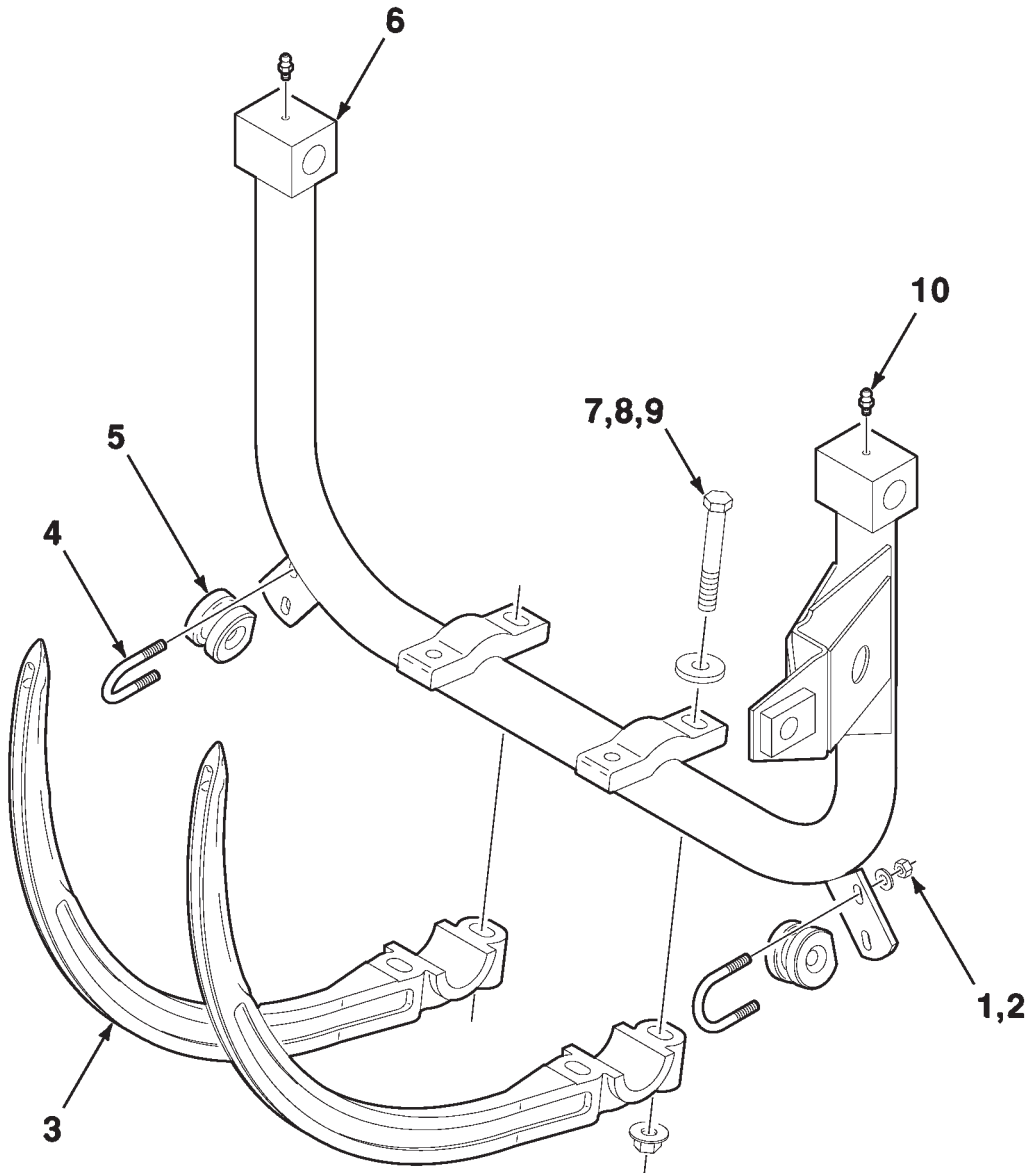
SPACER CAM

ITEM	NUMBER	QTY	DESCRIPTION
1	70921332	2	CAPSCREW, 5/16-18 X 3/4
2	70923362	2	NUT-LOCK, CENTER, 5/16-18
3	700121071	2	STRAP-TRIP
4	772319	1	SCREW-SOCKET, SHOULDER, 5/16-18 X 3/8 X 3/8
5	700119470	1	ROLLER-CAM
6	70336568	1	SPACER
7	700119468	1	ARM WA-CLUTCH
8	70920161	1	NUT-HALF, 5/16-18
9	700108473	1	CAM
10	70921210	2	CAPSCREW, 3/8-16 X 1
11	Y705533	1	WASHER-PLAIN, 3/8
12	Y704635	1	NUT-LOCK, 3/8-16
13	1661234	1	CLAMP-STOP
14	70920415	1	CAPSCREW, 3/8-16 X 1-1/4
15	70916950	2	NUT, 3/8-16

700119331-0

1835 RECTANGULAR BALER  
KNOTTER

NEEDLE MOUNTING



1835 RECTANGULAR BALER  
KNOTTER

51

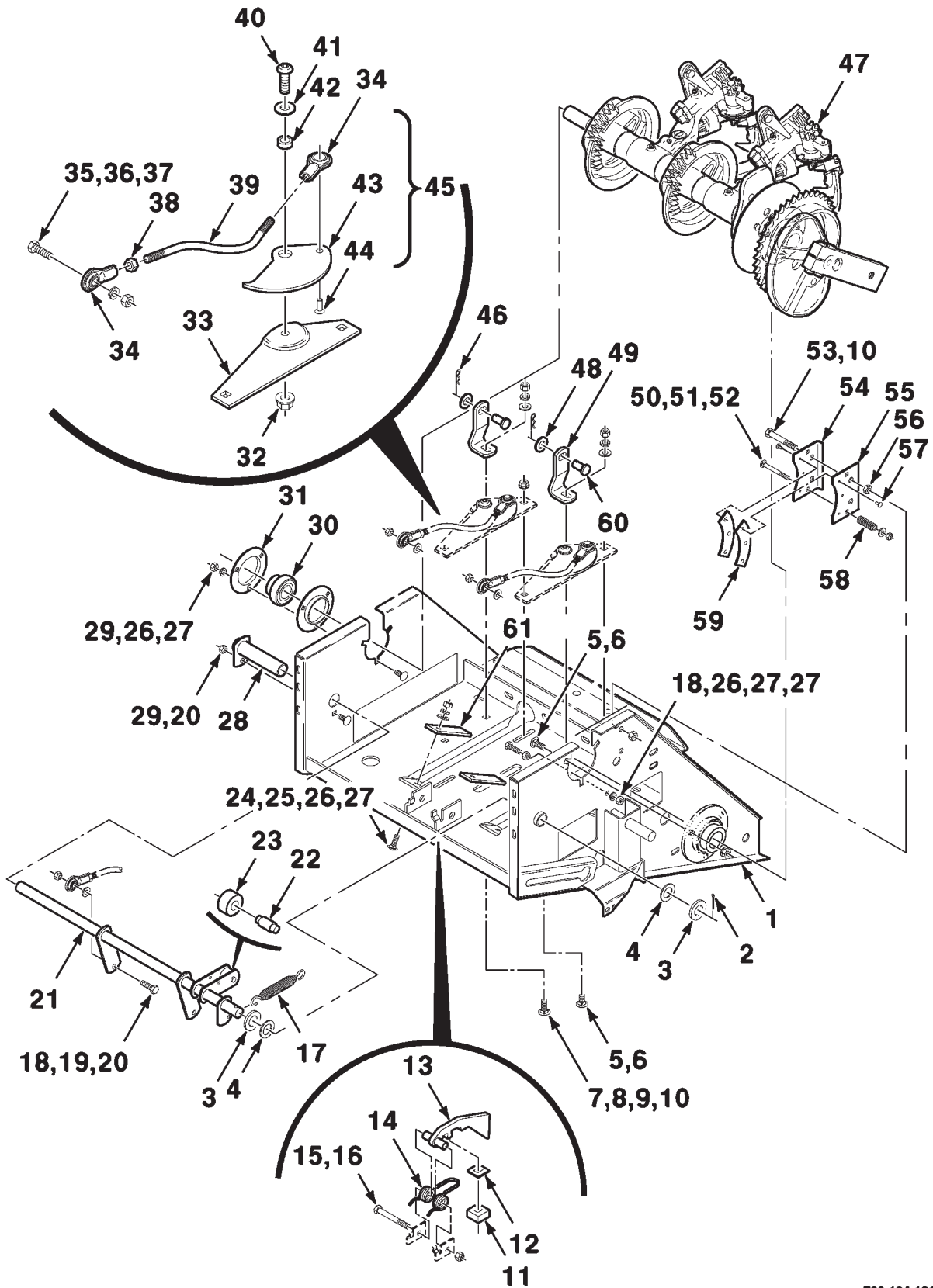
NEEDLE MOUNTING

ITEM	NUMBER	QTY	DESCRIPTION
1	70923362	4	NUT-LOCK, CENTER, 5/16-18
2	Y705525	4	WASHER-PLAIN, 5/16
3	700112435	2	NEEDLE
4	766543	2	U-BOLT, 5/16-18
5	700711131	2	GUIDE
6	700112436	1	FRAME WA-SHUTTLE
7	70926158	4	CAPSCREW, GR8, NON-PLATED, 1/2-13 X 4
8	273508	4	WASHER-SPECIAL, 17/32 X 1-1/16 X 1/8
9	Y704742	4	NUT-LOCK, FLANGE, 1/2-13
10	70923219	2	ZERK, 1/4-28

700112434-0

1835 RECTANGULAR BALER  
KNOTTER

KNOTTER CONTROL MOUNTING



**1835 RECTANGULAR BALER  
KNOTTER**

53

**KNOTTER CONTROL MOUNTING**

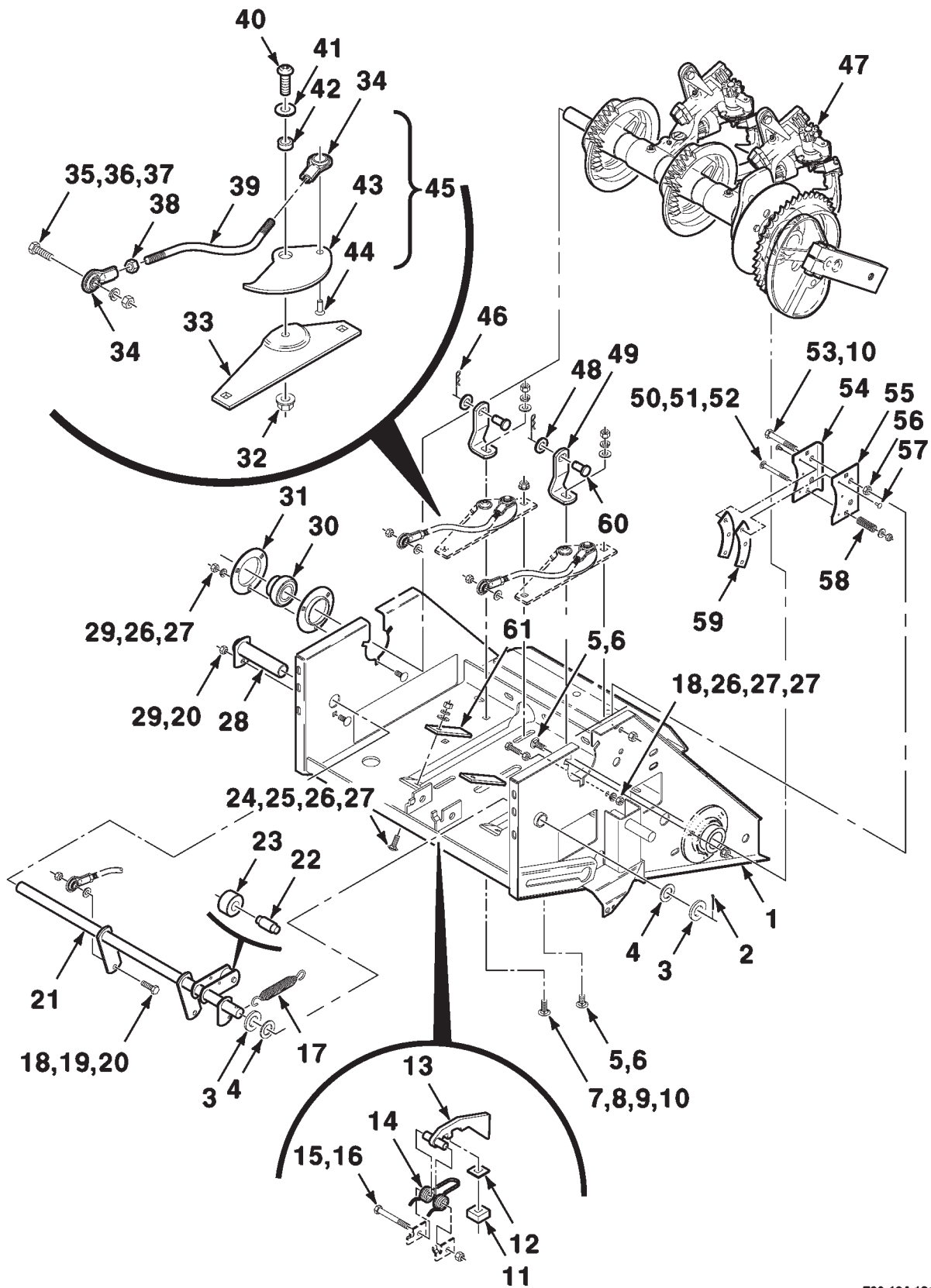
ITEM	NUMBER	QTY	DESCRIPTION
1	700136658	1	FRAME-KNOTTER
1	700703778	1	BUMPER
1	700108418	1	WASHER-SPECIAL
1	700117281	1	DOG-HAY
1	700707863	1	SPRING-TORSION
1	70923502	1	CAPSCREW, 1/2-13 X 4
1	704858	1	NUT-LOCK, 1/2-13
2	354076X1	1	PIN-COTTER, 3/16 X 1
3	Y705566	2	WASHER-PLAIN, 3/4
4	52761	2	BUSHING-NARROW, 3/4 X 14
5	70922784	7	BOLT-CARRIAGE, 3/8-16 X 3/4
6	704247	7	NUT-LOCK, FLANGE, 3/8-16
7	70922786	2	BOLT-CARRIAGE, 3/8-16 X 1
8	Y705533	2	WASHER-PLAIN, 3/8
9	70916965	2	WASHER-SPRING, 3/8
10	70916950	4	NUT, 3/8-16
11	700703778	1	BUMPER
12	700108418	1	WASHER-SPECIAL
13	700117281	1	DOG-HAY
14	700707863	1	SPRING-TORSION
15	70923502	1	CAPSCREW, 1/2-13 X 4
16	704858	1	NUT-LOCK, 1/2-13
17	700714064	1	SPRING-EXTENSION
18	70921333	3	CAPSCREW, 5/16-18 X 1
19	Y705525	2	WASHER-PLAIN, 5/16
20	7704117	3	NUT-LOCK, 5/16-18
21	700112443	1	SHAFT ASSEMBLY-CAM FOLLOWER
22	6553515	1	PIN-CAM, ROLLER
23	6553424	1	ROLLER
24	7700578	2	BOLT-CARRIAGE, 5/16-18 X 1
25	70917642	2	WASHER-PLAIN, 5/16
26	70917356	6	WASHER-SPRING, 5/16
27	Y704015	7	NUT, 5/16-18
28	6553523	1	MOUNTING-BEARING
29	70931333	4	BOLT-CARRIAGE, 5/16-18 X 3/4
30	71308951	1	BEARING-SPHERICAL
31	50567	2	FLANGE-BEARING
32	Y704734	1	NUT-LOCK, FLANGE, 3/8-16
33	700119459	1	MOUNTING-FINGER
34	700703692	2	ROD-END
35	70921333	1	CAPSCREW, 5/16-18 X 1
36	70917356	1	WASHER-SPRING, 5/16
37	Y704015	1	NUT, 5/16-18
38	704429	1	NUT, 5/16-24
39	700119462	1	ROD
40	7884414	1	CAPSCREW-BUTTON HEAD, GR8, NON-PLATED, 3/8-16 X 1
41	Y705533	1	WASHER-PLAIN, 3/8
42	6553614	1	SPACER
43	700119460	1	FINGER-TWINE
44	700709157	1	RIVET-FLAT HEAD, 5/16 X 3/4
45	700120654	1	FINGER ASSEMBLY-TWINE
45	700703692	1	ROD-END
45	700119460	1	FINGER-TWINE
45	700709157	1	RIVET-FLAT HEAD, 5/16 X 3/4
46	70936348	1	PIN-HAIR, COTTER, .120

CONTINUED

700124191-0

1835 RECTANGULAR BALER  
KNOTTER

KNOTTER CONTROL MOUNTING





1835 RECTANGULAR BALER  
KNOTTER

55

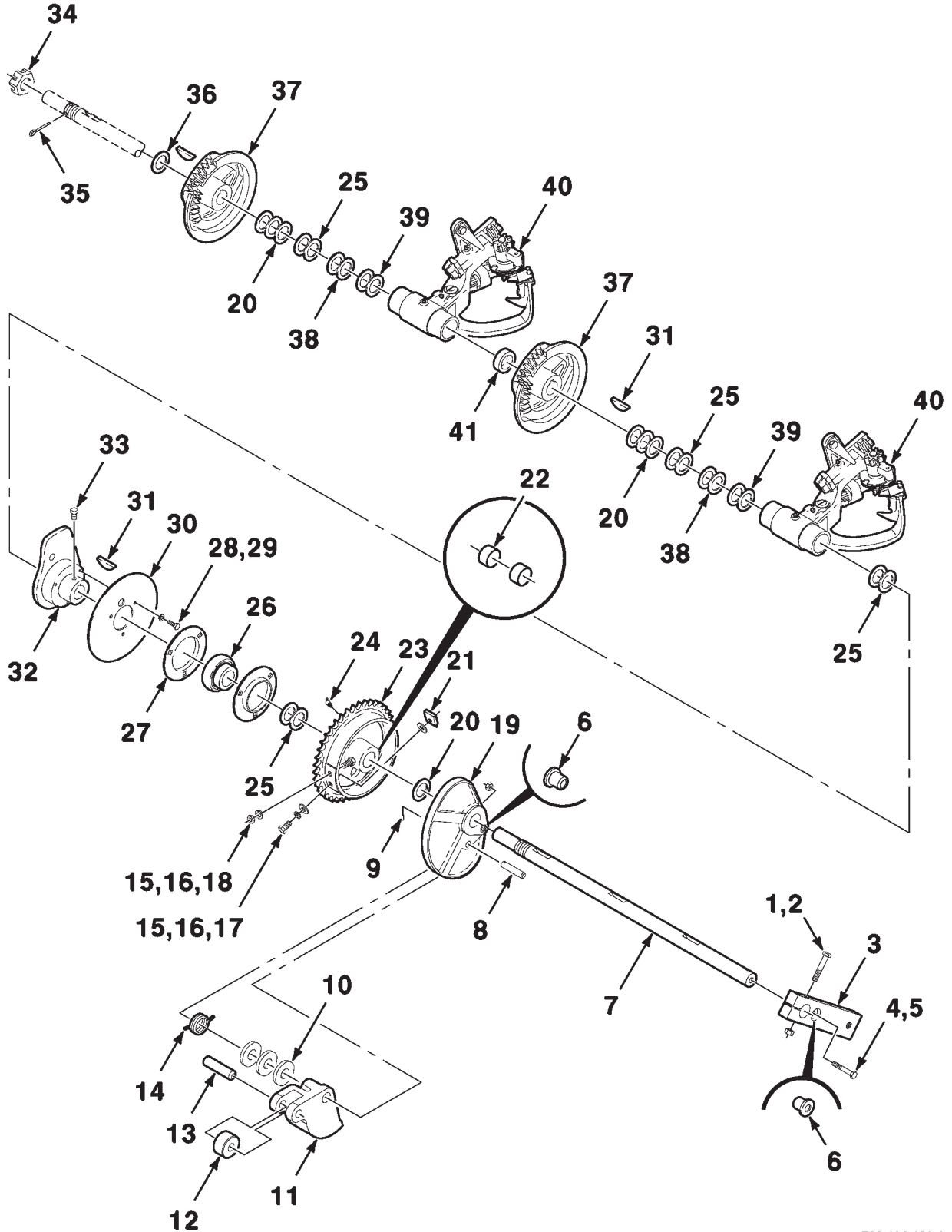
KNOTTER CONTROL MOUNTING

ITEM	NUMBER	QTY	DESCRIPTION
47	700124192	1	KNOTTER ASSEMBLY
48	705541	2	WASHER-PLAIN, 1/2
49	700124189	2	SUPPORT-KNOTTER
50	70928752	2	BOLT-CARRIAGE, 1/4-20 X 2-1/2
51	353769X1	2	WASHER-PLAIN, 1/4
52	7774839	2	NUT-LOCK, 1/4-20
53	70921972	2	CAPSCREW, 3/8-16 X 2-1/2
54	6553556	1	BRAKE-KNOTTER, RIGHT
54	700711021	1	LINING-BRAKE
54	64980	3	RIVET-ALUMINUM
55	6553572	1	BRAKE-KNOTTER, LEFT
55	700711021	1	LINING-BRAKE
55	64980	3	RIVET-ALUMINUM
56	70917421	2	NUT-HALF, 3/8-16
57	64980	6	RIVET-ALUMINUM
58	7758154	2	SPRING-COMPRESSION
59	700711021	2	LINING-BRAKE
60	700708653	2	PIN-CLEVIS, 1/2 X 1
61	700705653	2	SHIELD

700124191-0

1835 RECTANGULAR BALER  
KNOTTER

KNOTTER DRIVE AND CAM



**1835 RECTANGULAR BALER  
KNOTTER**

57

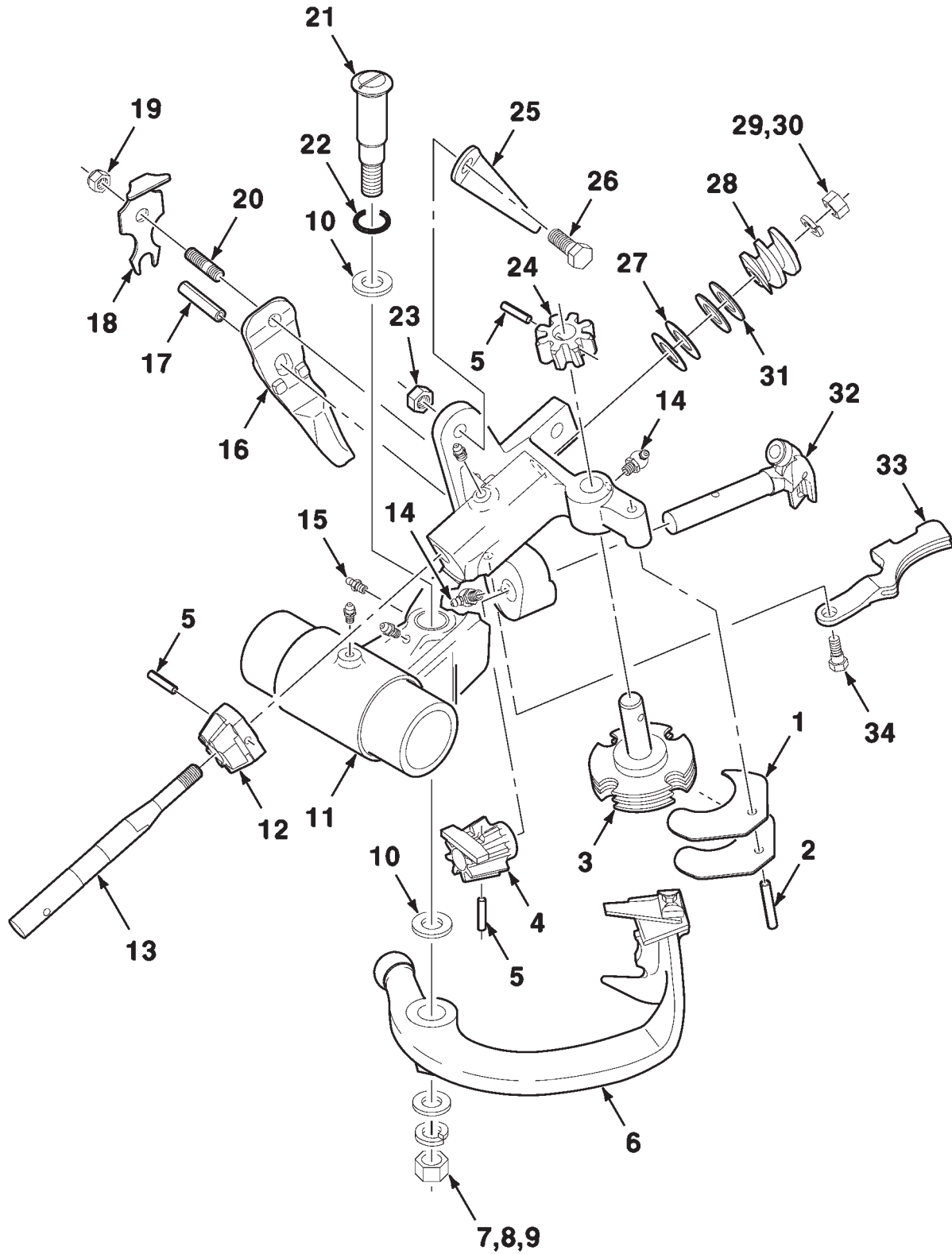
**KNOTTER DRIVE AND CAM**

ITEM	NUMBER	QTY	DESCRIPTION
1	70921972	2	CAPSCREW, 3/8-16 X 2-1/2
2	7704141	2	NUT-LOCK, 3/8-16
3	6853840M	1	ARM ASSEMBLY-SHEAR
3	6853592	1	SLEEVE-SHEAR
4	70921978	1	CAPSCREW, 5/16-18 X 2
5	7704117	1	NUT-LOCK, 5/16-18
6	6853592	AR	SLEEVE-SHEAR
7	700112446	1	SHAFT
8	6853642	1	PIN-DOG
9	63024	1	PIN-SLOTTED SPRING, 1/8 X 1-1/4
10	52167	3	BUSHING-NARROW, 1/2 X 18
11	6853626	1	DOG-CAM
12	6853634	1	ROLLER
13	70931852	1	PIN-DOWEL, 3/8 X 1-1/2
14	7758857	1	SPRING-TORSION
15	70921965	2	CAPSCREW, 3/8-16 X 3/4
16	70916965	2	WASHER-SPRING, 3/8
17	Y705533	1	WASHER-PLAIN, 3/8
18	70917421	1	NUT-HALF, 3/8-16
19	700119467M	1	DOG ASSEMBLY-CLUTCH
19	6853592	1	SLEEVE-SHEAR
20	7852171	7	BUSHING-MACHINERY, 1-1/8 X 20 GAUGE
21	6853857	1	LUG
22	7852023	2	BUSHING-BRONZE
23	6853303	1	SPROCKET ASSEMBLY
23	7852023	2	BUSHING-BRONZE
24	70925731	1	ZERK, 1/4-28 X 45 Degree
25	7852189	8	BUSHING-MACHINERY, 1-1/8 X 22 GAUGE
26	70590709	1	BEARING-SPHERICAL
27	50534M	2	FLANGE-BEARING
28	7703457	3	CAPSCREW, 1/4-20 X 3/4
29	705012	3	WASHER-SPRING, 1/4
30	6553283	1	DISC-BRAKE
31	700703198	3	KEY-WOODRUFF, 5/16 X 2-1/8
32	700121550	1	CAM WA
33	70923084	1	SETSCREW-SQUARE HEAD, NON-PLATED, 3/8-16 X 1/2
34	7774581	1	NUT-SLOTTED, HEX, 1-1/8 - 12
35	70918461	1	PIN-COTTER, 1/4 X 1-1/2
36	Y52522	1	BUSHING-NARROW, 1-1/8 X 10
37	700122623	2	CAM GEAR
38	6553317	4	SHIM-1.125 X .005
39	6553325	4	SHIM-1.125 X .010
40	700124193	2	HEAD ASSEMBLY-KNOTTER
41	6853899	1	SPACER

700124192-0

1835 RECTANGULAR BALER  
KNOTTER

KNOTTER HEAD ASSEMBLY  
(700124193 KNOTTER HEAD ASSEMBLY)



**1835 RECTANGULAR BALER  
KNOTTER**

59

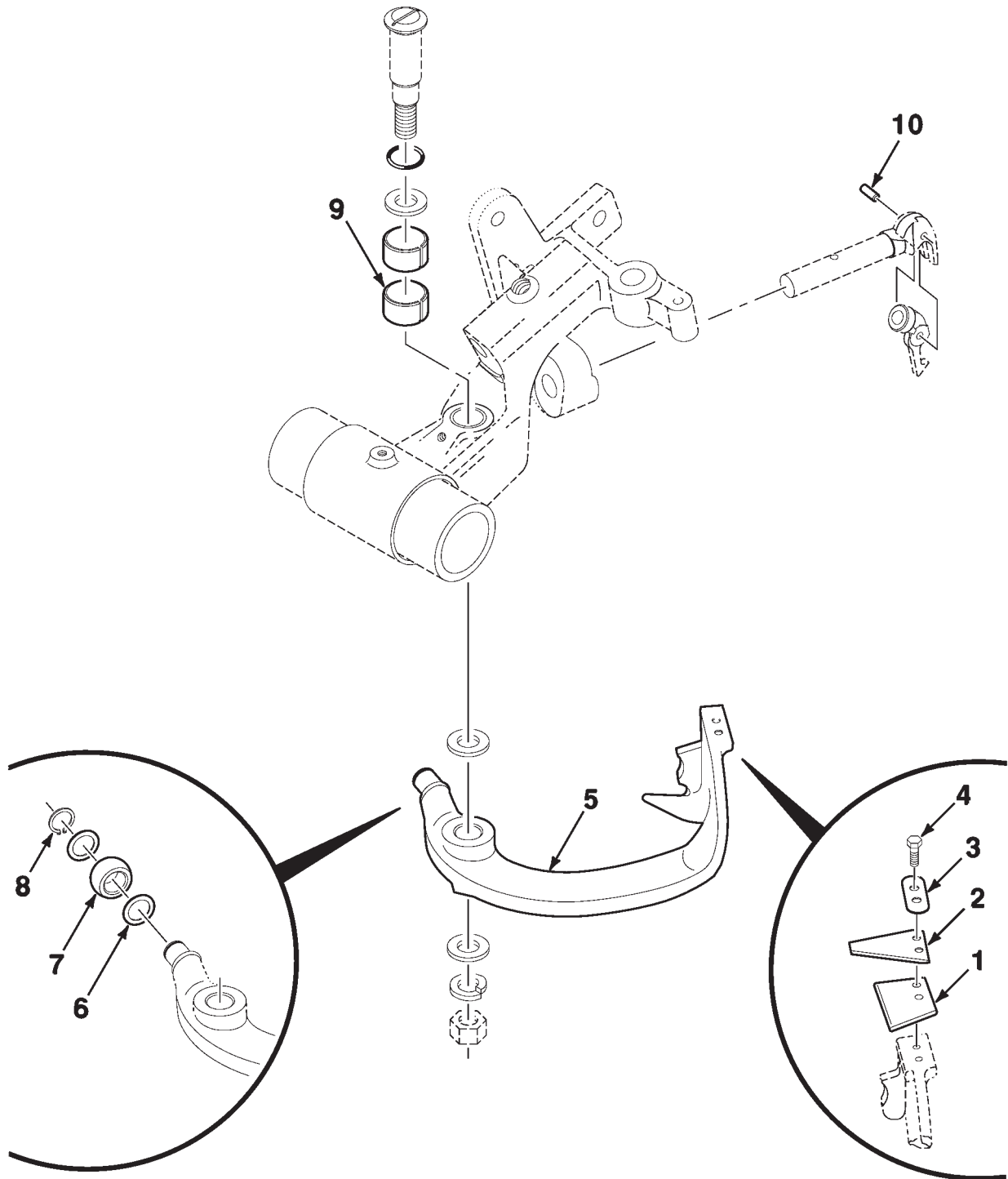
**KNOTTER HEAD ASSEMBLY  
(700124193 KNOTTER HEAD ASSEMBLY)**

ITEM	NUMBER	QTY	DESCRIPTION
-	700124193	1	KNOTTER HEAD ASSEMBLY
1	6853352	2	CLEANER-KNOTTER
2	70915751	1	PIN-SLOTTED SPRING, 3/16 X 1-1/2
3	8745358	1	DISC ASSEMBLY-TWINE
4	7894389	1	GEAR-PINION, BILL HOOK
5	70922598	3	PIN-GROOVE, 3/16 X 7/8
6	700124093	1	ARM ASSEMBLY-KNIFE
7	70919423	1	NUT, 1/2-20
8	Y705046	1	WASHER-SPRING, 1/2
9	705541	1	WASHER-PLAIN, 1/2
10	7852742	2	BUSHING-MACHINERY, 25/32 X 20 GAUGE
11	700122619	1	KNOTTER HEAD FRAME ASSEMBLY
12	7894421	1	GEAR-PINION, BEVEL, WORM
13	6553267	1	WORM SHAFT
14	77057	2	ZERK, 1/4-28 X 90 Degree
15	70923219	1	ZERK, 1/4-28
16	6523203	1	CAM-BILL HOOK
17	70922135	1	PIN-SLOTTED SPRING, 5/16 X 1
18	7895733	1	SPRING
19	704486	1	NUT-HALF, LIGHT STOP, 5/16-18
20	6523229	1	STUD-MOUNTING
21	700122621	1	SHAFT-KNIFE ARM
22	70923561	1	O-RING
23	70917421	1	NUT-HALF, 3/8-16
24	7894454	1	GEAR-PINION, TWINE DISC
25	6553259N	1	SPRING-TWINE
26	70921210	1	CAPSCREW, 3/8-16 X 1
27	7852163	2	BUSHING-MACHINERY, 5/8 X 20 GAUGE
28	7894413	1	GEAR-WORM
29	70923434	1	NUT, 3/8-24
30	70916965	1	WASHER-SPRING, 3/8
31	6553275	2	SHIM-COUNTERSHAFT
32	700108195	1	BILL HOOK
33	8745325	1	HOLDER-TWINE
34	6523237	1	SCREW-SHOULDER, 5/16-18 X 1/4 X 3/8

700124193-1

1835 RECTANGULAR BALER  
KNOTTER

KNOTTER HEAD ASSEMBLY-Continued



1835 RECTANGULAR BALER  
KNOTTER

61

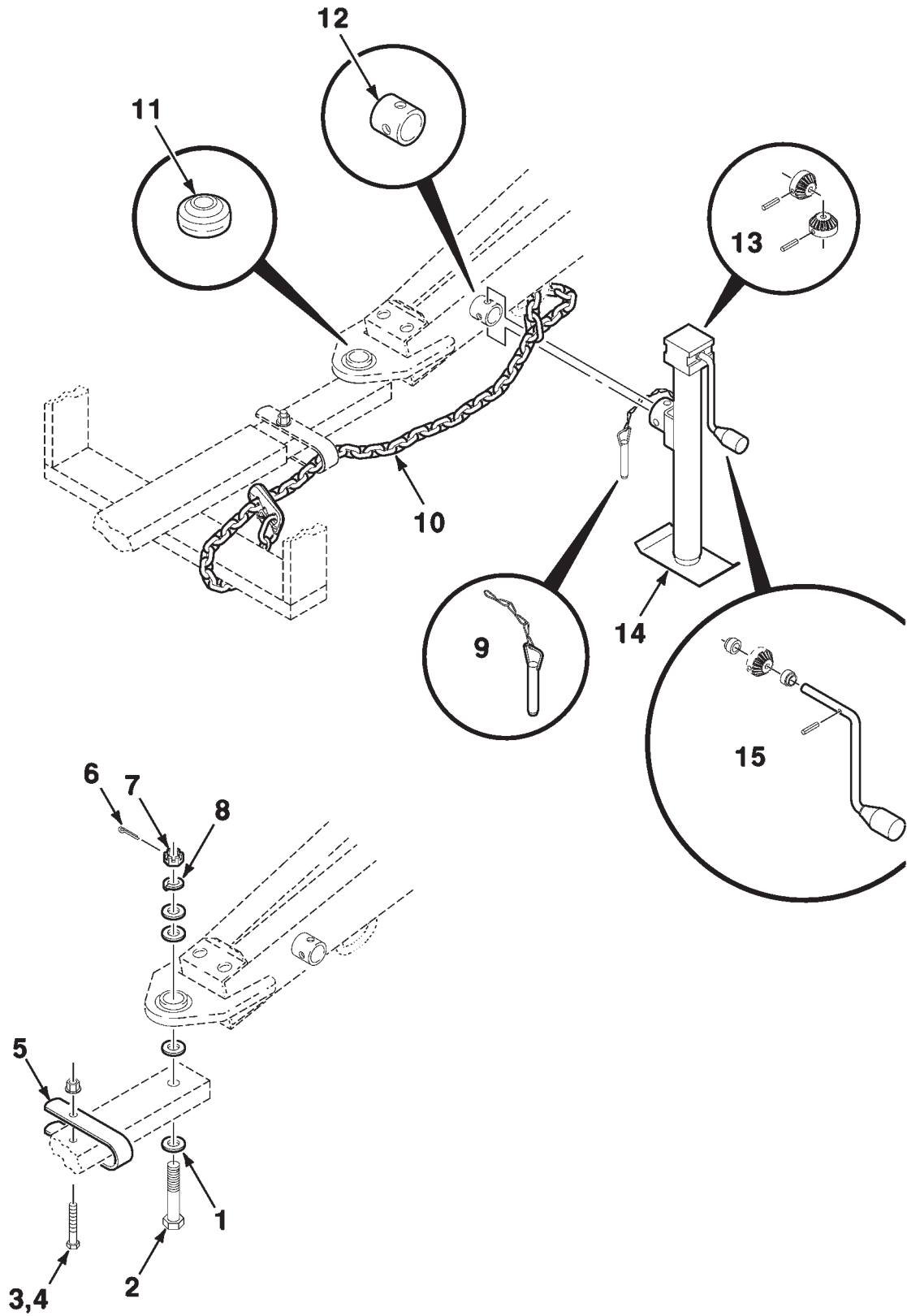
KNOTTER HEAD ASSEMBLY-Continued

ITEM	NUMBER	QTY	DESCRIPTION
1	6858971	1	BASE-KNIFE, TWINE
2	700715627	1	KNIFE-TWINE
3	6613624	1	TAB-LOCKING
4	8701625	2	SCREW, No. 10-32 X 1/2
5	700122620	1	ARM-STRIPPER
6	7852593	2	BUSHING-MACHINERY
7	700122799	1	ROLLER-SPHERICAL
8	70927728	1	RING-RETAINING
9	700710315	2	BUSHING
10	863738	1	PIN, 3/16 X 1/2

700124193-2

1835 RECTANGULAR BALER  
FRAME, WHEELS AND SHIELDS

HITCH, JACK AND SAFETY CHAIN





**1835 RECTANGULAR BALER  
FRAME, WHEELS AND SHIELDS**

**63**

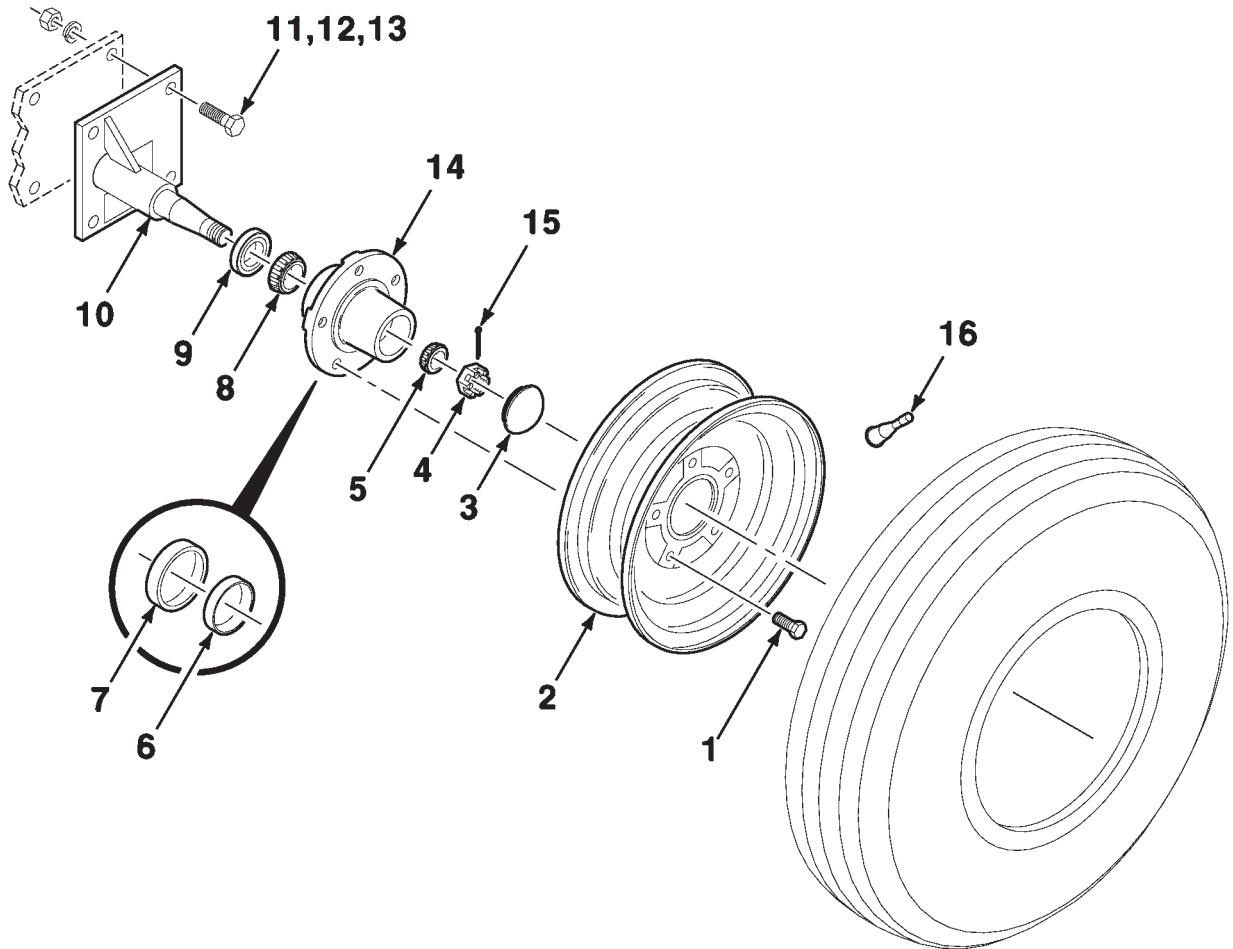
**HITCH, JACK AND SAFETY CHAIN**

ITEM	NUMBER	QTY	DESCRIPTION
1	705681	4	WASHER-PLAIN, 1
2	700108808	1	CAPSCREW, SPECIAL, 1-8 X 5-1/2
3	70925702	1	CAPSCREW, 5/8-11 X 3-1/2
4	70926937	1	NUT-LOCK, 5/8-11
5	700117928B	1	CLEVIS-SAFETY, CHAIN
6	70922002	1	PIN-COTTER, 3/16 X 2
7	Y704973	1	NUT-SLOTTED, 1-8
8	70922020	1	WASHER-SPRING, 1
9	700709409	1	PIN AND CHAIN ASSEMBLY
10	700705598	1	CHAIN ASSEMBLY, SAFETY
11	Y712661	1	BEARING-TONGUE
12	6227391	1	TUBE-WA
13	700702059	1	GEAR SET
14	700709385	1	JACK ASSEMBLY
14	700709409	1	PIN AND CHAIN ASSEMBLY
14	291731	1	CRANK KIT
14	700702059	1	GEAR SET
15	291731	1	CRANK KIT

700116638-0

1835 RECTANGULAR BALER  
FRAME, WHEELS AND SHIELDS

WHEEL, HUB AND SPINDLE  
(LEFT SHOWN, RIGHT OPPOSITE)



**1835 RECTANGULAR BALER  
FRAME, WHEELS AND SHIELDS**

**65**

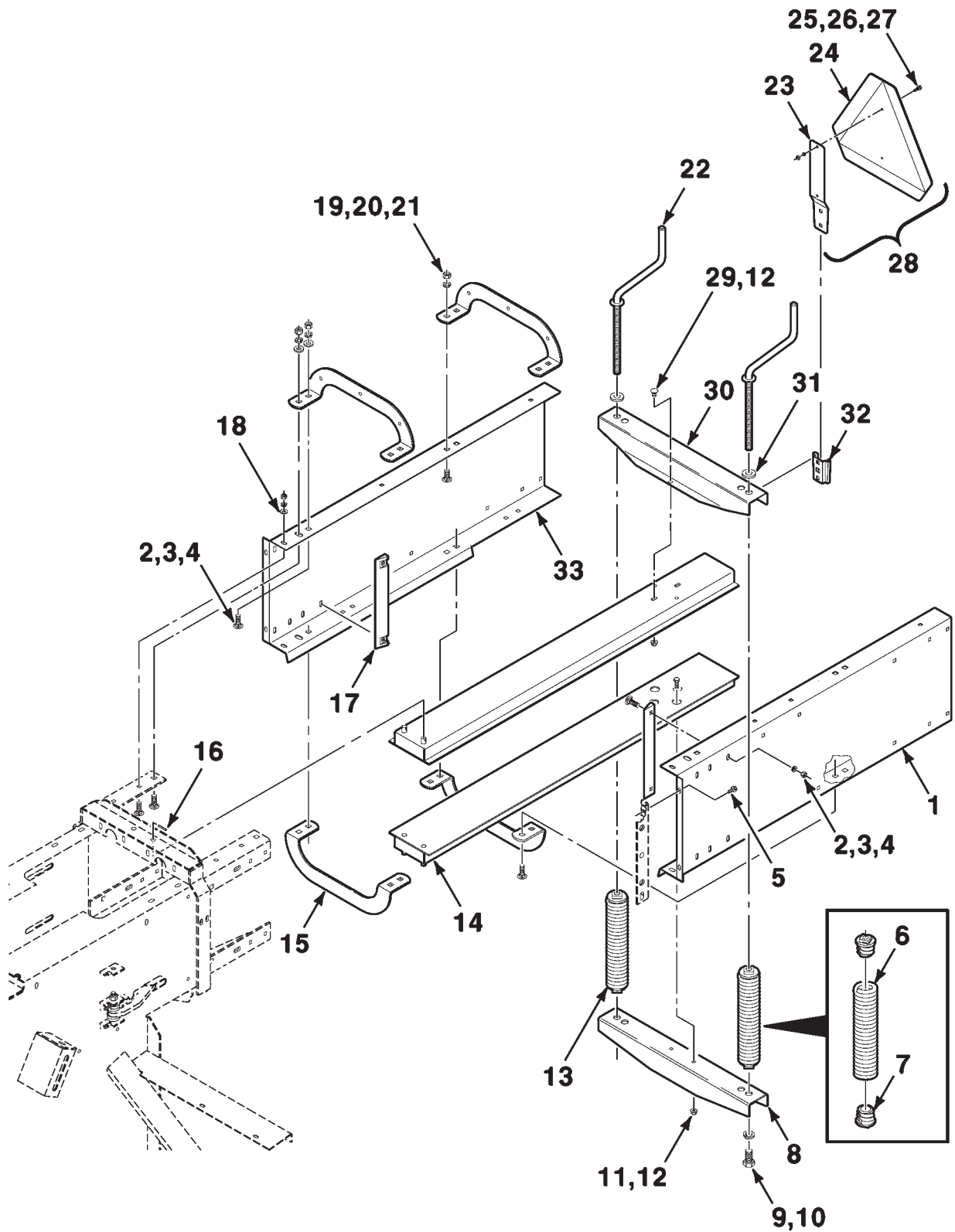
**WHEEL, HUB AND SPINDLE  
(LEFT SHOWN, RIGHT OPPOSITE)**

ITEM	NUMBER	QTY	DESCRIPTION
1	26328	10	BOLT-WHEEL, 9/16-18
2	700714328	2	WHEEL-14 X 8 INCH
3	26260	2	CAP-HUB
4	Y704346	2	NUT-HALF, SLOTTED, 1-14
5	50112	2	CONE-BEARING, OUTER
6	50104	2	CUP-BEARING, OUTER
7	70227666	2	CUP-BEARING, INNER
8	831078M1	2	CONE-BEARING, INNER
9	70928737	2	SEAL-GREASE
10	700112510M	2	SPINDLE WA
11	70922664	8	CAPSCREW, 5/8-11 X 2
12	70917373	8	WASHER-SPRING, 5/8
13	70932665	8	NUT, 5/8-11
14	6280788	2	HUB ASSEMBLY
14	50104	1	CUP-BEARING, OUTER
14	70227666	1	CUP-BEARING, INNER
15	70918454	2	PIN-COTTER, 1/8 X 1-1/2
16	Y827402	2	STEM-VALVE

700112509-0

1835 RECTANGULAR BALER  
FRAME, WHEELS AND SHIELDS

BALE CHAMBER



**1835 RECTANGULAR BALER  
FRAME, WHEELS AND SHIELDS**

67

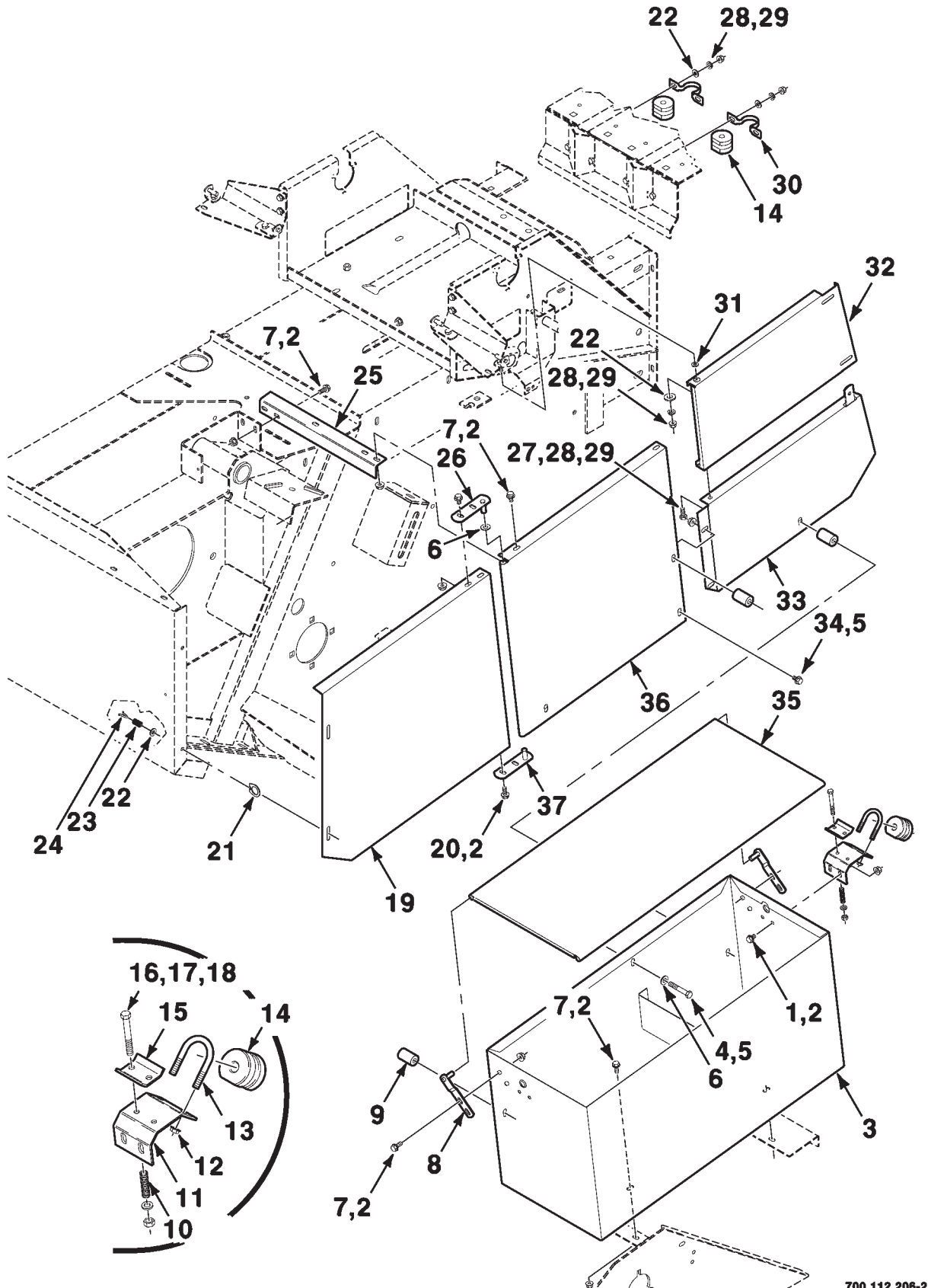
**BALE CHAMBER**

ITEM	NUMBER	QTY	DESCRIPTION
1	700136677	1	CHANNEL-BALE CASE, LEFT (Includes Decals)
2	70922786	15	BOLT-CARRIAGE, 3/8-16 X 1
3	70916965	15	WASHER-SPRING, 3/8
4	70916950	15	NUT, 3/8-16
5	Y703132	4	SCREW-FLANGE, 5/16-18 X 3/4
6	6554356M	1	SPRING-EXTENSION
7	700121906M	2	PLUG-SPRING
8	6552558	1	CHANNEL
9	70923110	2	CAPSCREW, 3/4-10 X 1-1/2
10	70919332	2	WASHER-SPRING, 3/4
11	70921210	2	CAPSCREW, 3/8-16 X 1
12	704247	4	NUT-LOCK, FLANGE, 3/8-16
13	6554356M	2	SPRING ASSEMBLY-EXTENSION
13	6554356M	1	SPRING-EXTENSION
13	700121906M	2	PLUG-SPRING
14	700112522	2	RAIL WA
15	700108401	4	SPREADER
16	70916001	4	PIN-SLOTTED SPRING, 3/16 X 1
17	837971	2	RESISTOR-BAR, HAY
18	Y705533	11	WASHER-PLAIN, 3/8
19	68619	16	BOLT-CARRIAGE, 1/2-13 X 1-1/4
20	Y705046	16	WASHER-SPRING, 1/2
21	704031	16	NUT, 1/2-13
22	6851695	2	CRANK WA
23	19516A91	1	STAKE-MOUNTING, SMV
24	7020589	1	EMBLEM-SMV
25	700705088	2	SCREW, No. 10-24 X 3/4
26	705004	2	WASHER-SPRING, No. 10
27	Y704072	2	NUT, No. 10-24
28	7023484	1	KIT-SMV EMBLEM
28	19516A91	1	STAKE-MOUNTING, SMV
28	7020589	1	EMBLEM-SMV
28	700705088	2	SCREW, No. 10-24 X 3/4
28	705004	2	WASHER-SPRING, No. 10
28	Y704072	2	NUT, No. 10-24
29	70922784	2	BOLT-CARRIAGE, 3/8-16 X 3/4
30	700112527	1	CHANNEL
30	79001235	1	BRACKET
31	700706024	2	WASHER-NYLON
32	79001235	1	BRACKET
33	700136678	1	CHANNEL-BALE CASE, RIGHT (Includes Decals)

700112200-2

1835 RECTANGULAR BALER  
FRAME, WHEELS AND SHIELDS

SHIELDS AND TWINE BOX-LEFT



**1835 RECTANGULAR BALER  
FRAME, WHEELS AND SHIELDS**

69

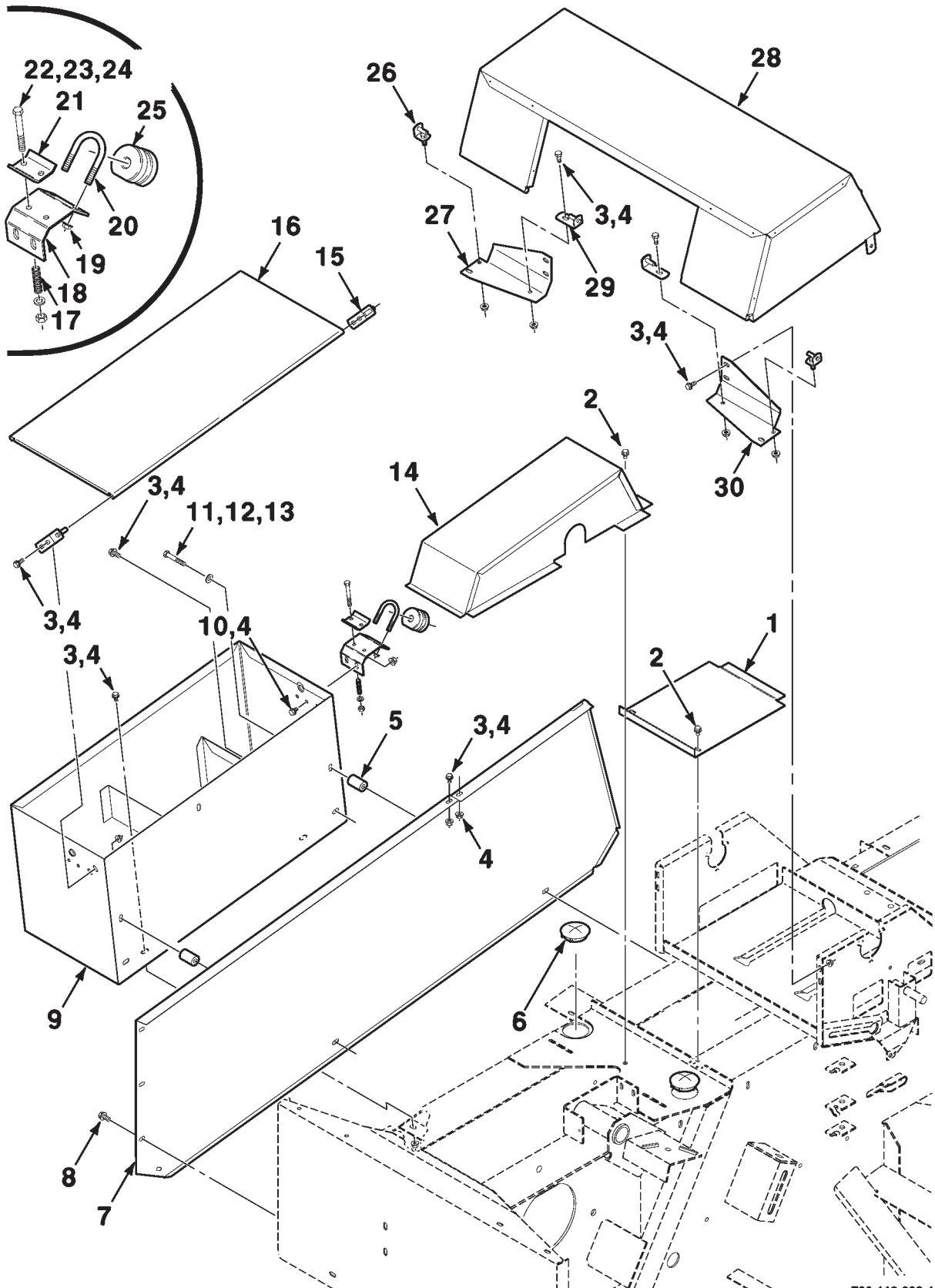
**SHIELDS AND TWINE BOX-LEFT**

ITEM	NUMBER	QTY	DESCRIPTION
1	7883317	2	SCREW-FLANGE, 5/16-18 X 1/2
2	70931277	18	NUT-LOCK, FLANGE, 5/16-18
3	700112505	1	BOX-TWINE, LEFT
4	70922130	3	CAPSCREW, 3/8-16 X 2-1/4
5	704247	4	NUT-LOCK, FLANGE, 3/8-16
6	Y705533	4	WASHER-PLAIN, 3/8
7	7883325	12	SCREW-FLANGE, 5/16-18 X 3/4
8	700108543	2	SUPPORT WA
9	6605315	3	SPACER
10	58925	2	SPRING-TENSION
11	700112260	1	SUPPORT-TENSION
12	Y704163	2	NUT-LOCK, 5/16-18
13	766543	1	U-BOLT, 5/16-18
14	700711131	3	GUIDE-TWINE
15	6549869	1	BRACKET-TENSION
16	70923282	2	CAPSCREW, 1/4-20 X 2-1/2
17	353769X1	2	WASHER-PLAIN, 1/4
18	Y704395	2	NUT-LIGHT STOP, 1/4-20
19	700112254M	1	DOOR-FRONT, LEFT
20	7771322	4	SCREW-FLANGE, 5/16-18 X 1/2
21	7894967	4	HANDLE-LATCH
22	Y705525	10	WASHER-PLAIN, 5/16
23	7758212	4	SPRING-COMPRESSION
24	7894975	4	CLIP-FASTENER
25	700112272	1	ANGLE-MOUNTING, PANEL
26	700112264	1	SUPPORT WA-UPPER
27	70921332	1	CAPSCREW, 5/16-18 X 3/4
28	70917356	6	WASHER-SPRING, 5/16
29	Y704015	6	NUT, 5/16-18
30	700122493	2	SUPPORT-GUIDE
31	700112261	2	BUSHING
32	700112255M	1	DOOR-REAR, LEFT
33	700112266	1	PANEL WA-REAR, LOWER
34	7883374	1	SCREW-FLANGE, 3/8-16 X 3/4
35	700112241	1	LID-BOX, TWINE
36	700112265	1	PANEL-CENTER, LEFT
37	700112262	1	SUPPORT WA-LOWER

700112206-2

1835 RECTANGULAR BALER  
FRAME, WHEELS AND SHIELDS

SHIELDS AND TWINE BOX-RIGHT





1835 RECTANGULAR BALER  
FRAME, WHEELS AND SHIELDS

71

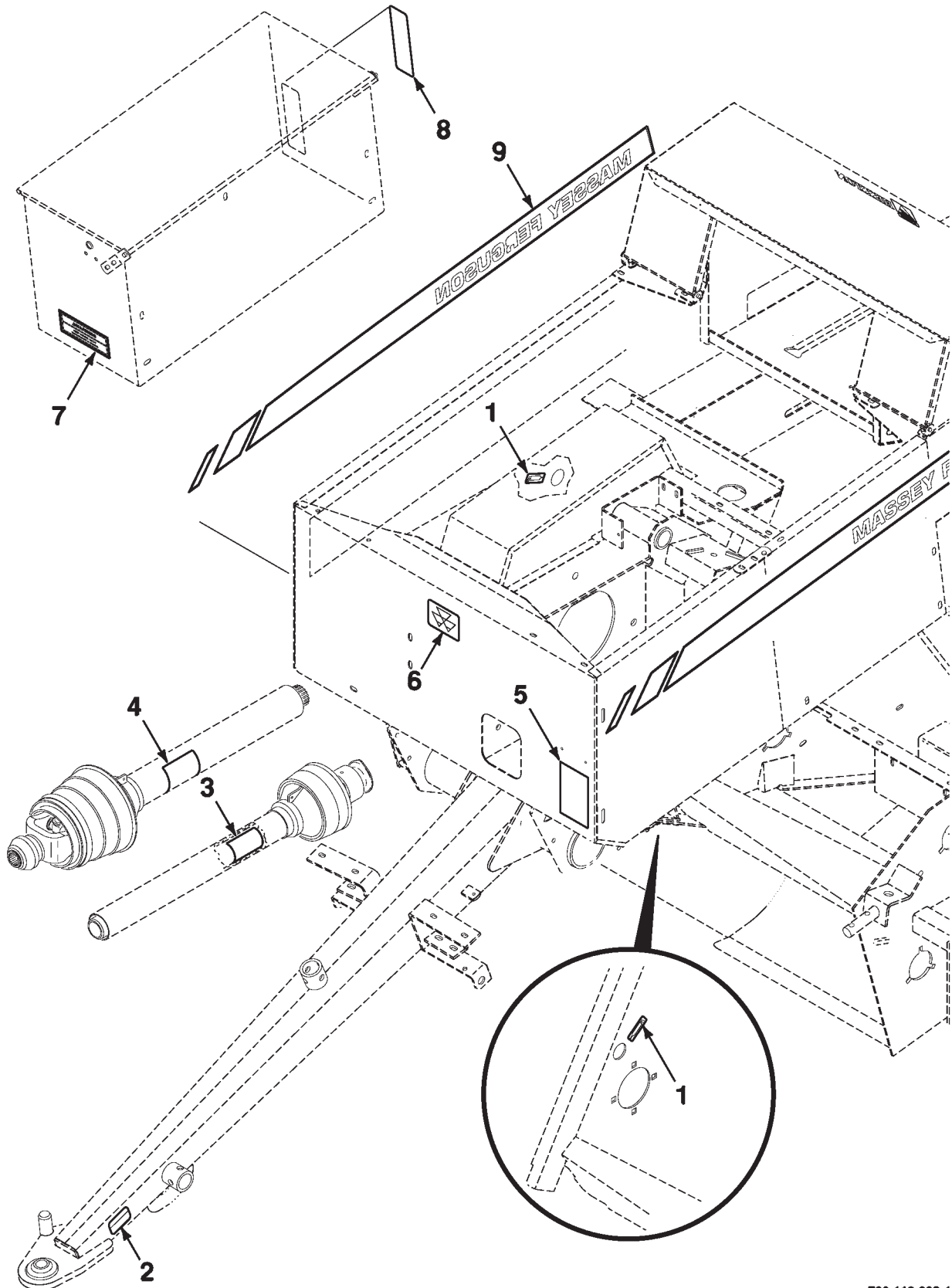
SHIELDS AND TWINE BOX-RIGHT

ITEM	NUMBER	QTY	DESCRIPTION
1	700112277	1	COVER
2	7771322	3	SCREW-FLANGE, 5/16-18 X 1/2
3	7883325	19	SCREW-FLANGE, 5/16-18 X 3/4
4	70931277	22	NUT-LOCK, FLANGE, 5/16-18
5	6605315	2	SPACER
6	700703259	2	PLUG-HOLE
7	700112242	1	SHIELD-RIGHT
8	Y703132	4	SCREW-FLANGE, 5/16-18 X 3/4
9	700112506	1	TWINE BOX-RIGHT
10	7883317	2	SCREW-FLANGE, 5/16-18 X 1/2
11	70922130	2	CAPSCREW, 3/8-16 X 2-1/4
12	Y705533	2	WASHER-PLAIN, 3/8
13	704247	2	NUT-LOCK, FLANGE, 3/8-16
14	700112249M	1	SHIELD WA-TOP
15	700108543	2	SUPPORT WA
16	700112241	1	LID-BOX, TWINE
17	58925	2	SPRING-TENSION
18	Y704163	2	NUT-LOCK, 5/16-18
19	700112260	1	SUPPORT-TENSION
20	766543	1	U-BOLT, 5/16-18
21	6549869	1	BRACKET-TENSION
22	70923282	2	CAPSCREW, 1/4-20 X 2-1/2
23	353769X1	2	WASHER-PLAIN, 1/4
24	Y704395	2	NUT-LIGHT STOP, 1/4-20
25	700711131	1	GUIDE-TWINE
26	700112258	2	SUPPORT WA
27	700112257	1	SUPPORT-PIVOT, RIGHT
28	700112244M	1	SHIELD WA-TOP
29	700108535	2	SUPPORT WA
30	700112256	1	SUPPORT-PIVOT, LEFT

700112206-1

1835 RECTANGULAR BALER  
DECALS AND KITS

DECALS-FRONT AND RIGHT



**1835 RECTANGULAR BALER  
DECALS AND KITS**

**73**

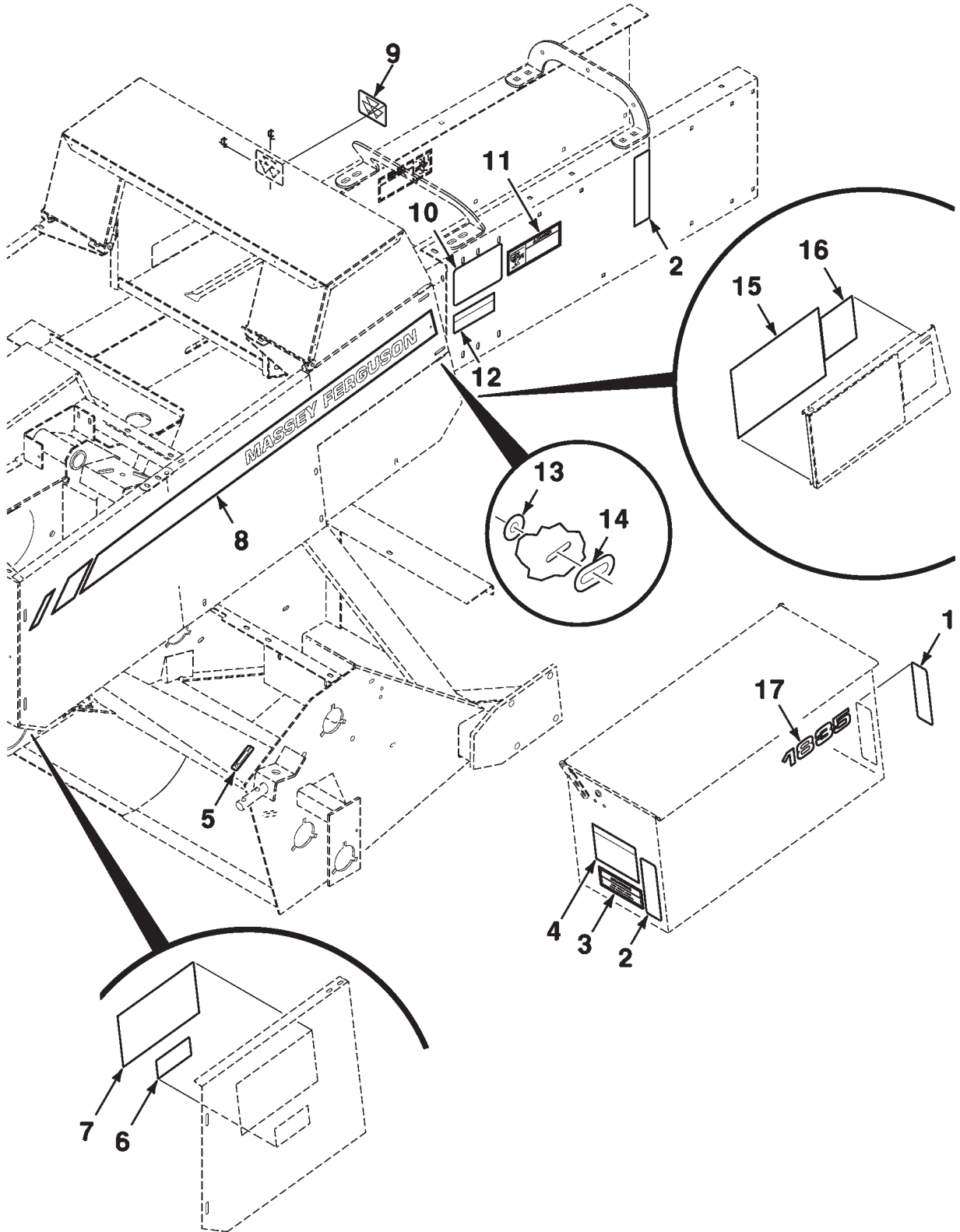
**DECALS-FRONT AND RIGHT**

ITEM	NUMBER	QTY	DESCRIPTION
1	7889306	2	DECAL-GREASE
2	7078256	1	DECAL-NOTICE
3	700708583	1	DECAL-DANGER
4	700707960	1	DECAL-DANGER
5	8877789	1	DECAL-PATENTS
6	700722873	1	DECAL-MASSEY FERGUSON
7	7778368	1	DECAL-WARNING
8	700717402	1	REFLECTOR-RED
9	700722869	1	DECAL-MF, RIGHT

700112208-1

1835 RECTANGULAR BALER  
DECALS AND KITS

DECALS-LEFT



1835 RECTANGULAR BALER  
DECALS AND KITS

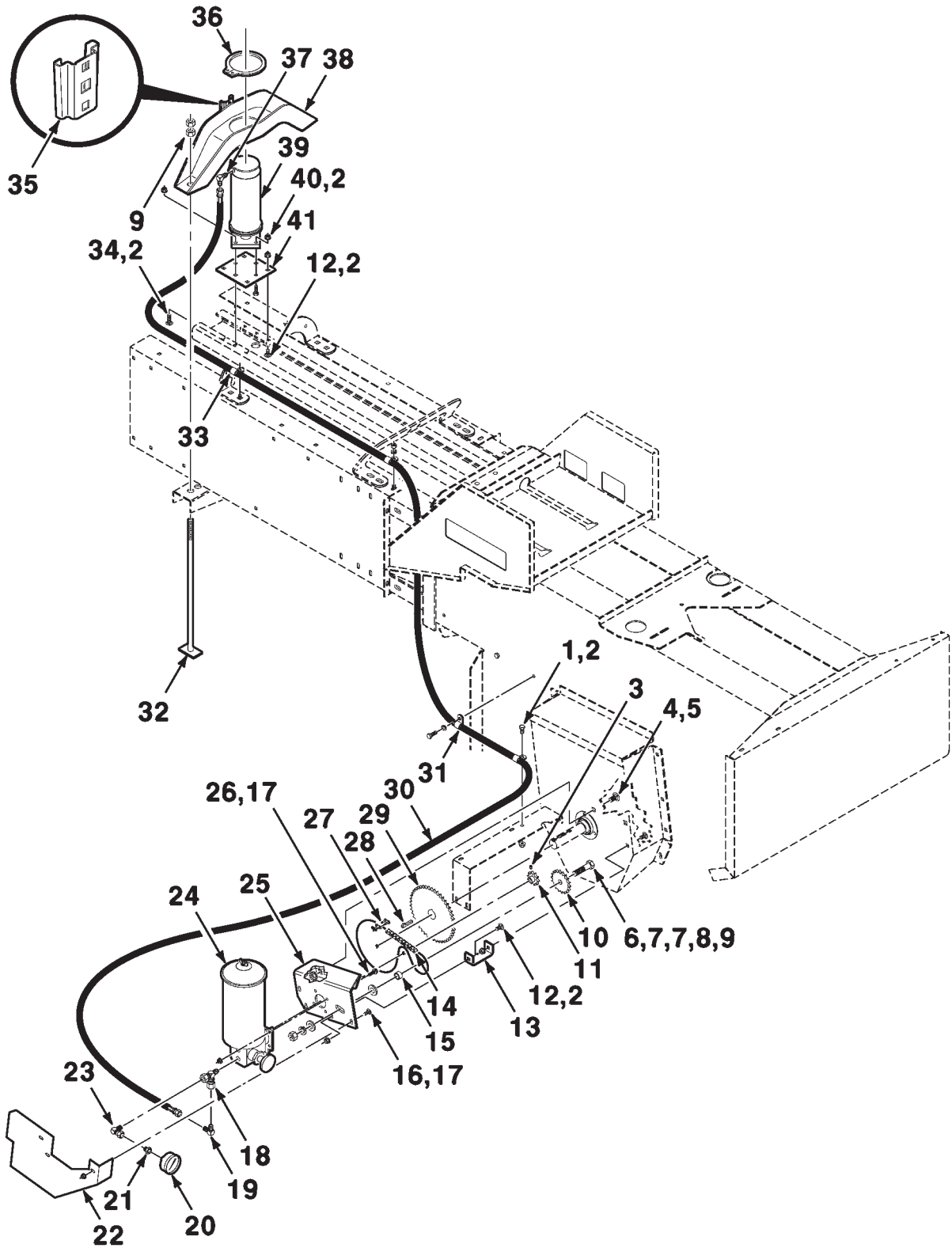
75

DECALS-LEFT

ITEM	NUMBER	QTY	DESCRIPTION
1	700717402	1	REFLECTOR-RED
2	700717403	3	REFLECTOR-YELLOW
3	7778368	1	DECAL-WARNING
4	700714229	1	DECAL-WARNING
5	7889306	1	DECAL-GREASE
6	700708731	1	DECAL-SHEARBOLT
7	700706289	1	DECAL-OPERATION
8	700722830	1	DECAL-MF, LEFT
9	700722873	1	DECAL-MASSEY FERGUSON
10	700703905	1	DECAL-OPERATION
11	700715105	1	DECAL-DANGER
12	700706207	1	DECAL-WARNING
13	700709866	4	DECAL-WASHER, CAMLOC
14	700709867	4	DECAL-SLOT, CAMLOC
15	700703441	1	DECAL-OPERATION
16	700704658	1	DECAL-NEEDLE TIMING
17	700722870	2	DECAL-1835

700112208-2

HYDRAULIC BALE TENSIONER KIT  
(MKD40933 HYDRAULIC BALE TENSIONER KIT)



**1835 RECTANGULAR BALER  
DECALS AND KITS**

77

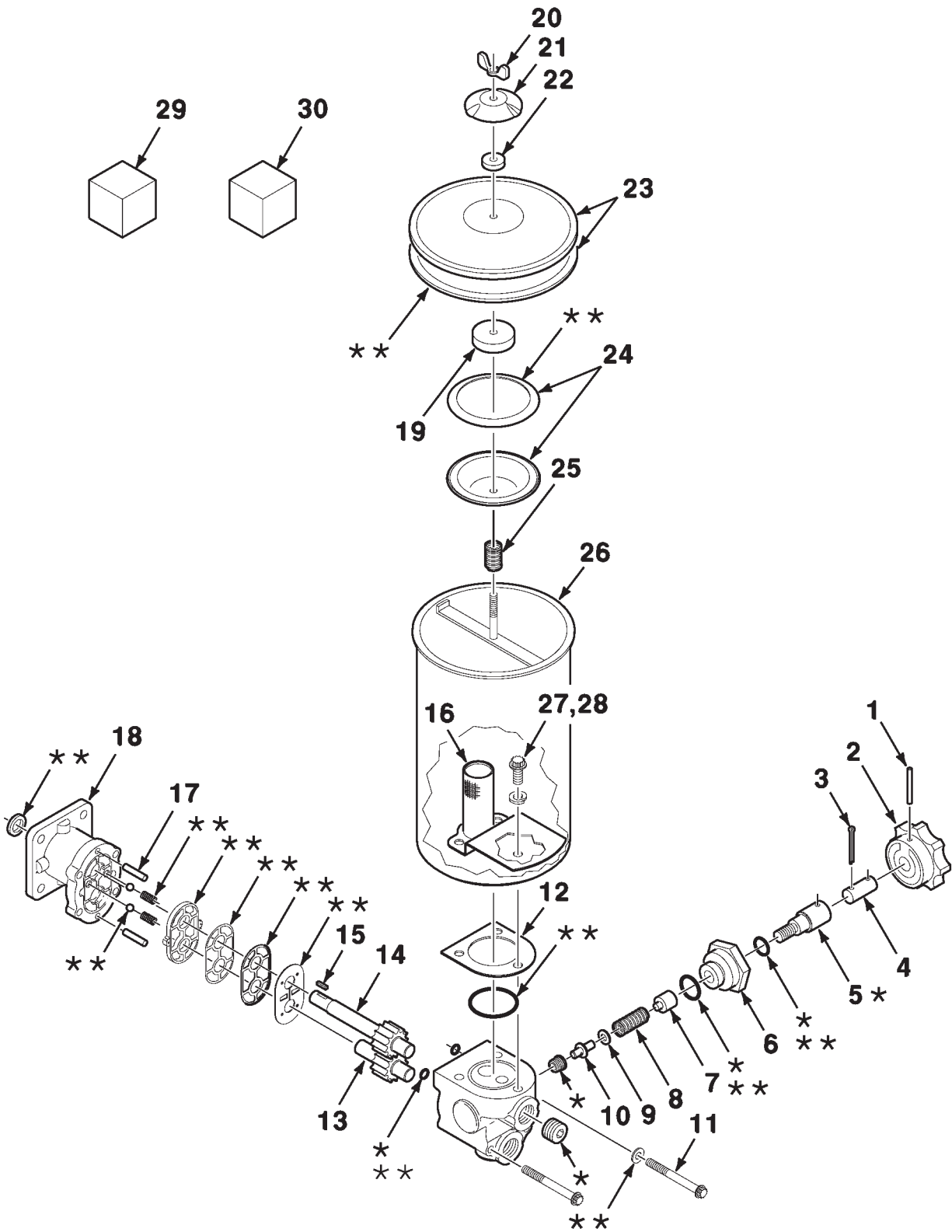
**HYDRAULIC BALE TENSIONER KIT  
(MKD40933 HYDRAULIC BALE TENSIONER KIT)**

ITEM	NUMBER	QTY	DESCRIPTION
-	MKD40933	1	HYDRAULIC BALE TENSIONER KIT (WHOLEGOODS ONLY)
1	70921965	1	CAPSCREW, 3/8-16 X 3/4
2	704247	11	NUT-LOCK, FLANGE, 3/8-16
3	70903835	1	SETSCREW-SOCKET HEAD, 1/4-20 X 3/8
4	70928367	2	BOLT-CARRIAGE, 1/2-13 X 1
5	704254	2	NUT-LOCK, FLANGE, 1/2-13
6	7701659	1	CAPSCREW, 5/8-11 X 2-1/2
7	Y705582	2	WASHER-PLAIN, 5/8
8	70917373	1	WASHER-SPRING, 5/8
9	70932665	5	NUT, 5/8-11
10	88732	1	SPROCKET-IDLER, 18 TOOTH
11	7851082	1	SPROCKET-40B10 TOOTH
12	70922784	6	BOLT-CARRIAGE, 3/8-16 X 3/4
13	700136685B	1	SUPPORT
14	700706301	1	CHAIN-ROLLER, No. 40 (73 Pitches)
14	7085988	1	CHAIN-ROLLER, No. 40 (10 FOOT BULK)
15	312801B	1	SPACER
16	70931333	3	BOLT-CARRIAGE, 5/16-18 X 3/4
17	70931277	7	NUT-LOCK, FLANGE, 5/16-18
18	7046113	1	TEE-RUN, MALE, 3/8-18
19	70919136	1	ELBOW, 3/8-18 X 9/16-18 X 90 Degree
20	700703817	1	GAUGE-PRESSURE
21	Y46219	1	BUSHING-REDUCER
22	700136683B	1	SHIELD
23	70925864	1	ELBOW-STREET, 3/8-18 X 90 Degree
24	7892128	1	PUMP ASSEMBLY-HYDRAULIC
25	700136684B	1	SUPPORT-PUMP
26	7883333	4	SCREW-FLANGE, 5/16-18 X 1
27	70915515	1	LINK-CONNECTOR, No. 40 R/C
28	Y61424	1	KEY-GIB, 1/4 X 1-1/4
29	700112643B	1	SPROCKET-46 TOOTH
30	700706300	1	HOSE-HYDRAULIC
31	70925619	3	CLAMP-LINE
32	700112641B	2	ROD WA-TENSION
33	700703825	1	CLAMP-HOSE
34	70923220	2	BOLT-CARRIAGE, 3/8-16 X 1-1/4
35	79001235	1	BRACKET
36	7852148	1	RING-RETAINER
37	70919135	1	ELBOW, 1/4-18 X 9/16-18 X 90 Degree
38	700108433B	1	SUPPORT WA
38	79001235	1	BRACKET
39	700703899	1	CYLINDER ASSEMBLY-HYDRAULIC, TENSIONER
40	70921210	2	CAPSCREW, 3/8-16 X 1
41	700119498B	1	PLATE-RAIL

700951073-0

1835 RECTANGULAR BALER  
DECALS AND KITS

BALE TENSIONER PUMP AND RESERVOIR ASM.  
(7892128 PUMP AND RESERVOIR ASSEMBLY)





**1835 RECTANGULAR BALER  
DECALS AND KITS**

79

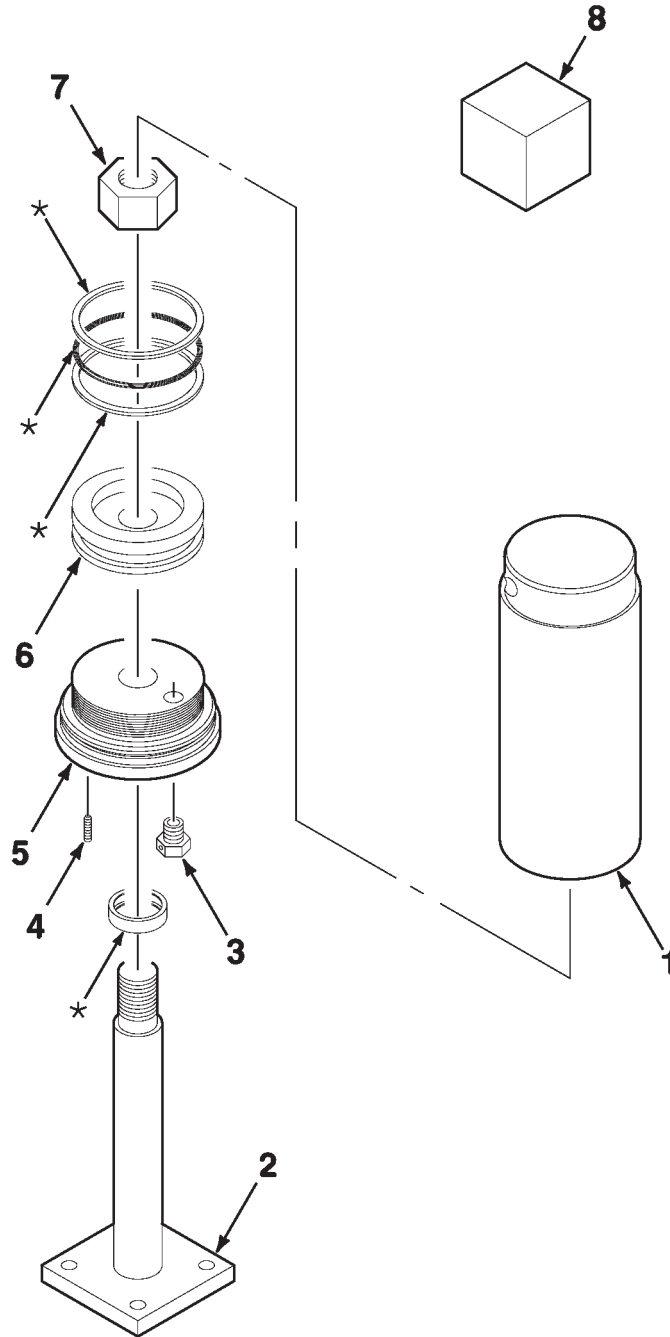
**BALE TENSIONER PUMP AND RESERVOIR ASM.  
(7892128 PUMP AND RESERVOIR ASSEMBLY)**

ITEM	NUMBER	QTY	DESCRIPTION
-	7892128	1	PUMP AND RESERVOIR ASSEMBLY (WHOLEGOODS ONLY)
1	63024	1	PIN-SLOTTED SPRING, 1/8 X 1-1/4
2	8040552	1	KNOB
3	62117	1	PIN-COTTER, 1/8 X 1-1/4
4	8040545	1	ROD-CONNECTING
5	8040560	1	SCREW-ADJUSTING
6	8040578	1	PLUG ASSEMBLY (Includes O-Ring)
7	8040503	1	GUIDE-SPRING
8	8040495	1	SPRING
9	1020340M1	1	SHIM
10	Y731679	1	POPPET ASSEMBLY
11	7071871	4	CAPSCREW-12 POINT, SPECIAL, 1/4-20 X 2-1/4
12	71131016	1	GASKET-RESERVOIR
13	8040537	1	GEAR-IDLER
14	8040529	1	GEAR-DRIVE
15	71184145	1	KEY
16	71131628	1	FILTER ASSEMBLY
17	Y730804	2	PIN-DOWEL, 1/4 X 1/2
18	156424A	1	PLATE ASSEMBLY-FRONT
19	Y730895	1	CAP-FILTER
20	70916952	1	NUT-WING, 1/4-20
21	71131411	1	CAP-BREATHER
22	Y730887	1	FILTER-AIR
23	Y733774	1	LID AND GASKET-RESERVOIR
24	Y733766	1	FILER AND GASKET ASSEMBLY
25	6661702	1	SPRING-COMPRESSION
26	2700072	1	RESERVOIR-HYDRAULIC
27	2700074	3	CAPSCREW-12 POINT, SPECIAL, 5/16-18 X 5/8
28	70917356	3	WASHER-SPRING, 5/16
29	8040479	1	BACK PLATE REPAIR KIT (Includes Items with One Asterisk)
30	8040586	1	SEAL REPAIR KIT (Includes Items with Two Asterisk)

7892128-0

1835 RECTANGULAR BALER  
DECALS AND KITS

BALE TENSIONER HYDRAULIC CYLINDER ASM.  
(700703899 HYDRAULIC CYLINDER ASSEMBLY)

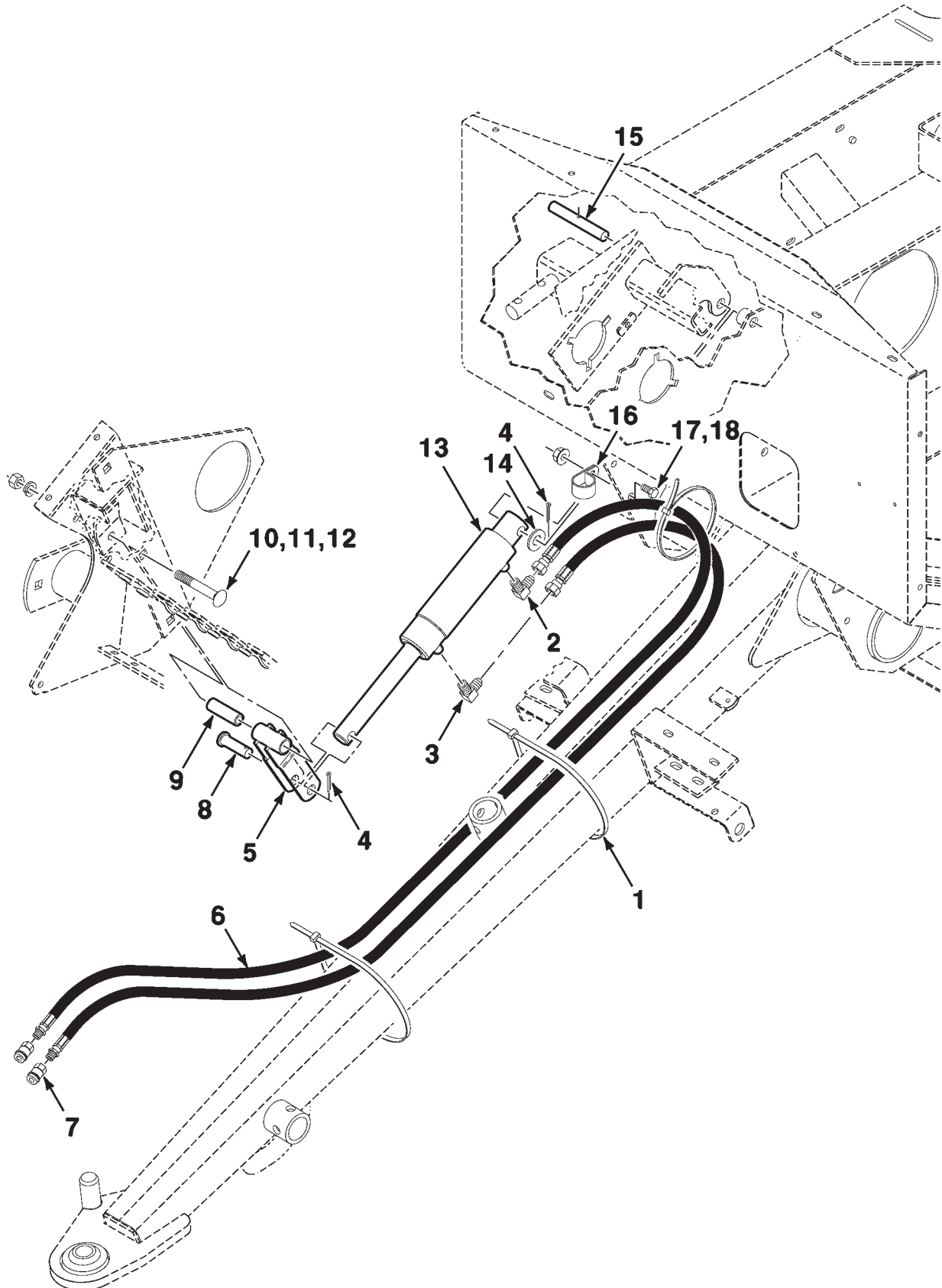


**1835 RECTANGULAR BALER****81****DECALS AND KITS****BALE TENSIONER HYDRAULIC CYLINDER ASM.  
(700703899 HYDRAULIC CYLINDER ASSEMBLY)**

ITEM	NUMBER	QTY	DESCRIPTION
1	700704848	1	BARREL
2	700704847	1	ROD
3	700704845	1	BREATHER
4	70911711	1	SETSCREW-SOCKET HEAD, 1/4-20 X 3/4
5	700704846	1	HEAD
6	700704849	1	PISTON
7	70930765	1	NUT
8	700704850	1	SEAL KIT (Includes Items with Asterisk)

700703899-0

HYDRAULIC PICKUP LIFT KIT  
(MKD40422 HYDRAULIC PICKUP LIFT KIT)



**1835 RECTANGULAR BALER  
DECALS AND KITS**

**83**

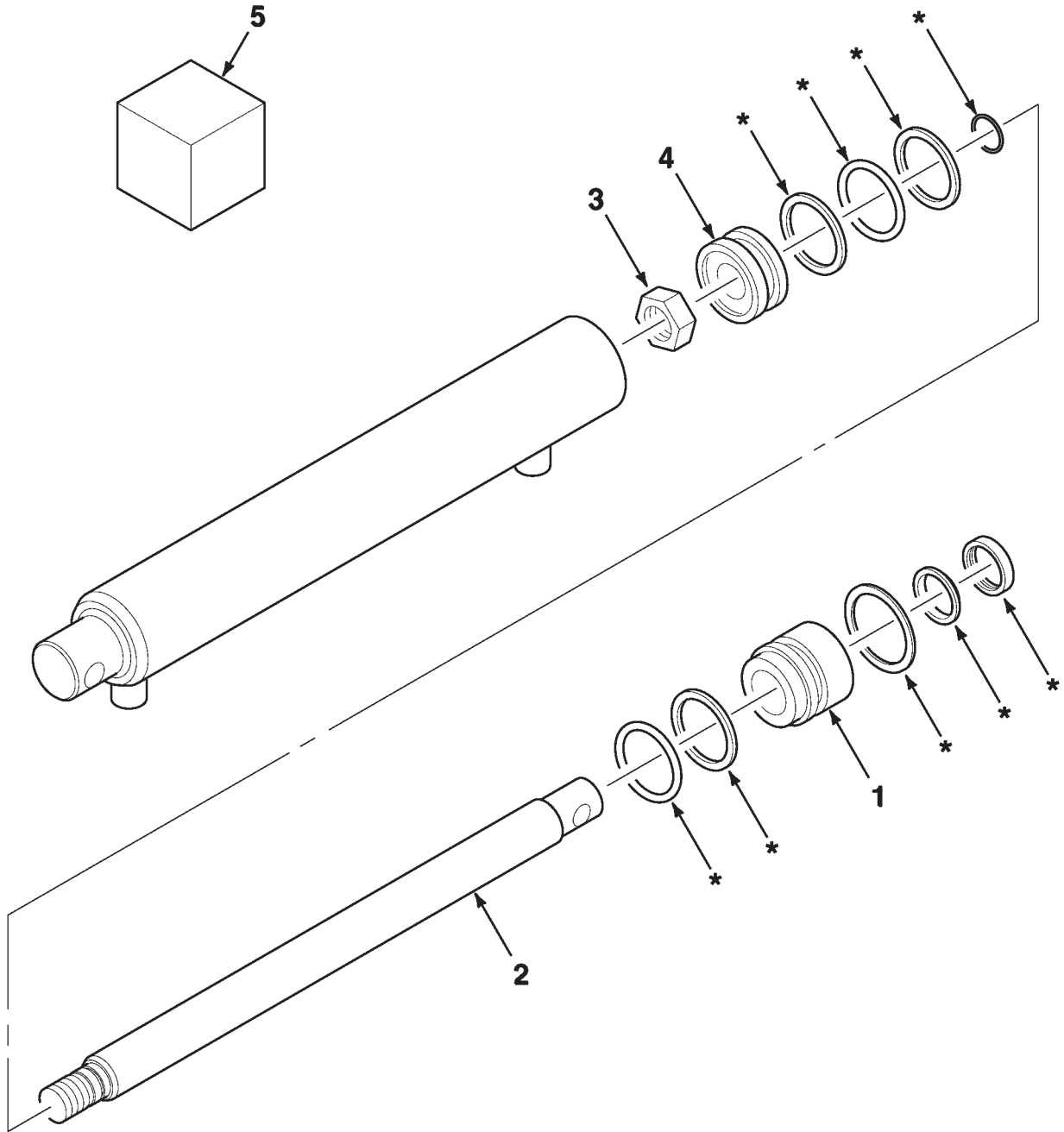
**HYDRAULIC PICKUP LIFT KIT  
(MKD40422 HYDRAULIC PICKUP LIFT KIT)**

ITEM	NUMBER	QTY	DESCRIPTION
-	MKD40422	1	HYDRAULIC PICKUP LIFT KIT (WHOLEGOODS ONLY)
1	70935468	3	TIE-CABLE, 27-1/2
2	7046063	1	ELBOW, 1/4-18 X 9/16-18 X 90 Degree (W/ .06 Orifice)
3	70919135	1	ELBOW, 1/4-18 X 9/16-18 X 90 Degree
4	70918455	2	PIN-COTTER, 5/32 X 1
5	700115585	1	ARM-MOUNTING, CYLINDER
6	700704629	2	HOSE-HYDRAULIC
7	7746688	1	COUPLING-QUICK DISCONNECT, MALE, 1/2-14
8	63693	1	PIN-CLEVIS, 5/8 X 2
9	700115583	1	BUSHING
10	70931813	1	BOLT-CARRIAGE, 1/2-13 X 3-1/2
11	Y705046	1	WASHER-SPRING, 1/2
12	704031	1	NUT, 1/2-13
13	700726495	1	CYLINDER ASSEMBLY-HYDRAULIC
14	70918268	1	WASHER-PLAIN, 5/8
15	700116648	1	PIN
16	70929160	1	CLAMP-LINE
17	70921965	1	CAPSCREW, 3/8-16 X 3/4
18	704247	1	NUT-LOCK, FLANGE, 3/8-16

700951074-0

1835 RECTANGULAR BALER  
DECALS AND KITS

PICKUP HYDRAULIC CYLINDER ASM. (ENERGY)  
(700726495 HYDRAULIC CYLINDER ASSEMBLY)

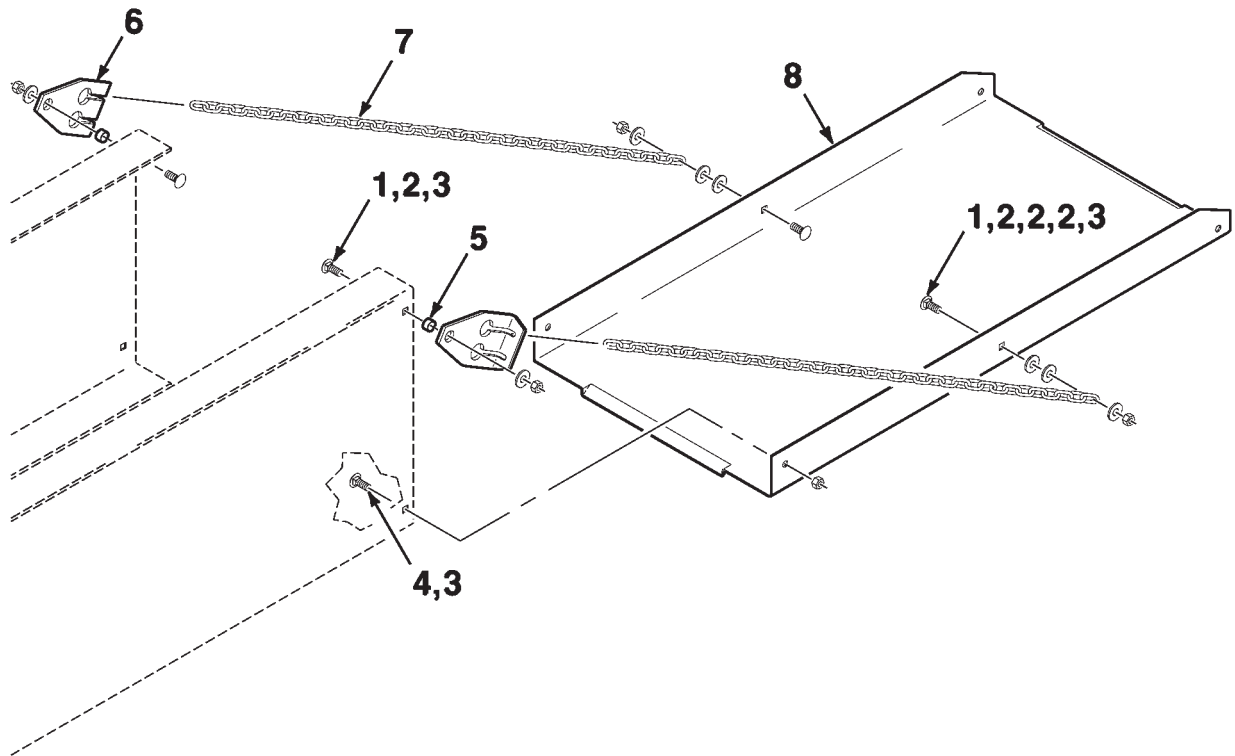


**1835 RECTANGULAR BALER****85****DECALS AND KITS****PICKUP HYDRAULIC CYLINDER ASM. (ENERGY)****(700726495 HYDRAULIC CYLINDER ASSEMBLY)**

ITEM	NUMBER	QTY	DESCRIPTION
-	700726495	1	HYDRAULIC CYLINDER ASSEMBLY (2 INCH BORE X 4 INCH STROKE)
1	700711112	1	GUIDE
2	700726496	1	ROD
3	700707418	1	NUT-HALF, 7/8-14
4	700707419	1	PISTON
5	700711954	1	SEAL KIT (Includes Items with Asterisk)

700726495-0

**BALE CHUTE KIT**  
(MKD40416 BALE CHUTE KIT)





**1835 RECTANGULAR BALER  
DECALS AND KITS**

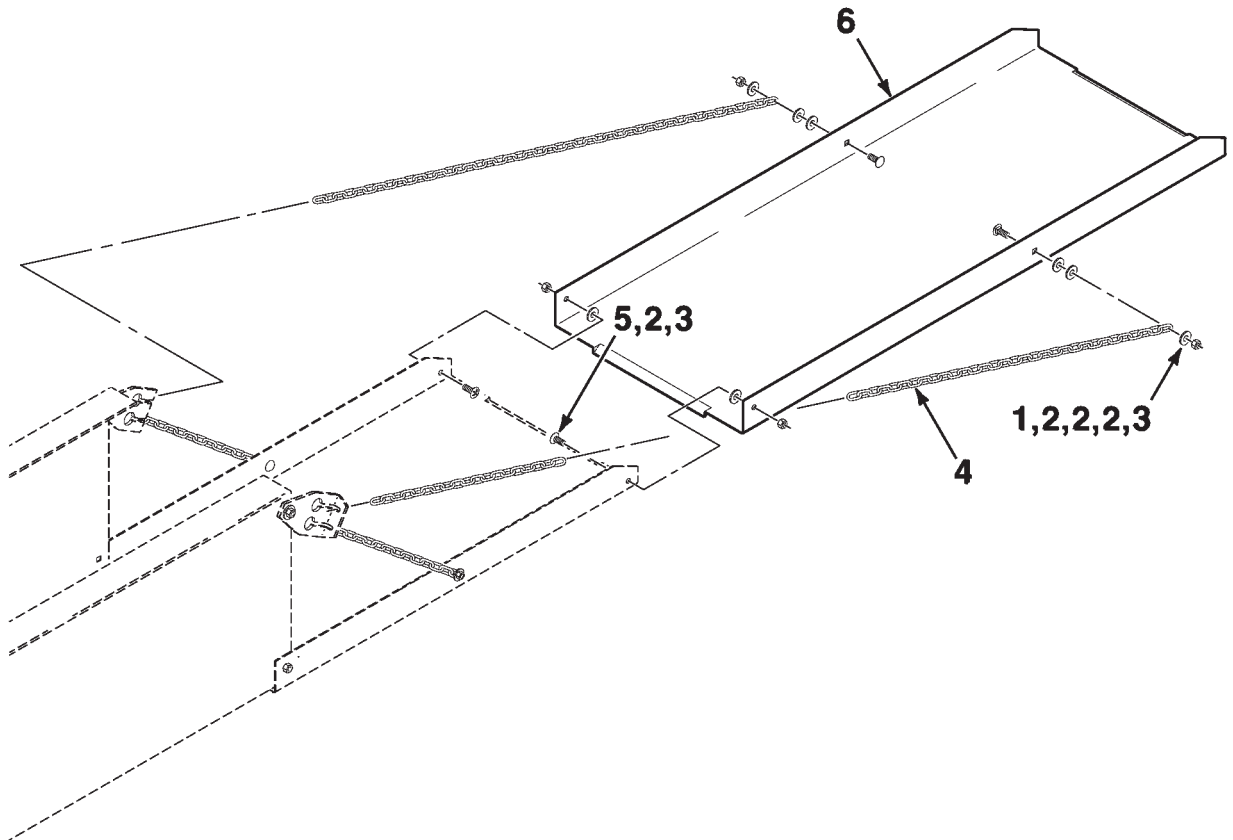
**87**

**BALE CHUTE KIT  
(MKD40416 BALE CHUTE KIT)**

ITEM	NUMBER	QTY	DESCRIPTION
-	MKD40416	1	BALE CHUTE KIT (WHOLEGOODS ONLY)
1	70923220	4	BOLT-CARRIAGE, 3/8-16 X 1-1/4
2	70917378	8	WASHER-PLAIN, 3/8
3	Y704734	6	NUT-LOCK, FLANGE, 3/8-16
4	70922784	2	BOLT-CARRIAGE, 3/8-16 X 3/4
5	6475495	2	BUSHING
6	6859102B	2	BRACKET-HANGER
7	6559876	2	CHAIN
8	6554448B	1	TABLE-BALE

700951069-0

**BALE CHUTE EXTENSION KIT**  
(MKD40417 BALE CHUTE EXTENSION KIT)



**1835 RECTANGULAR BALER  
DECALS AND KITS**

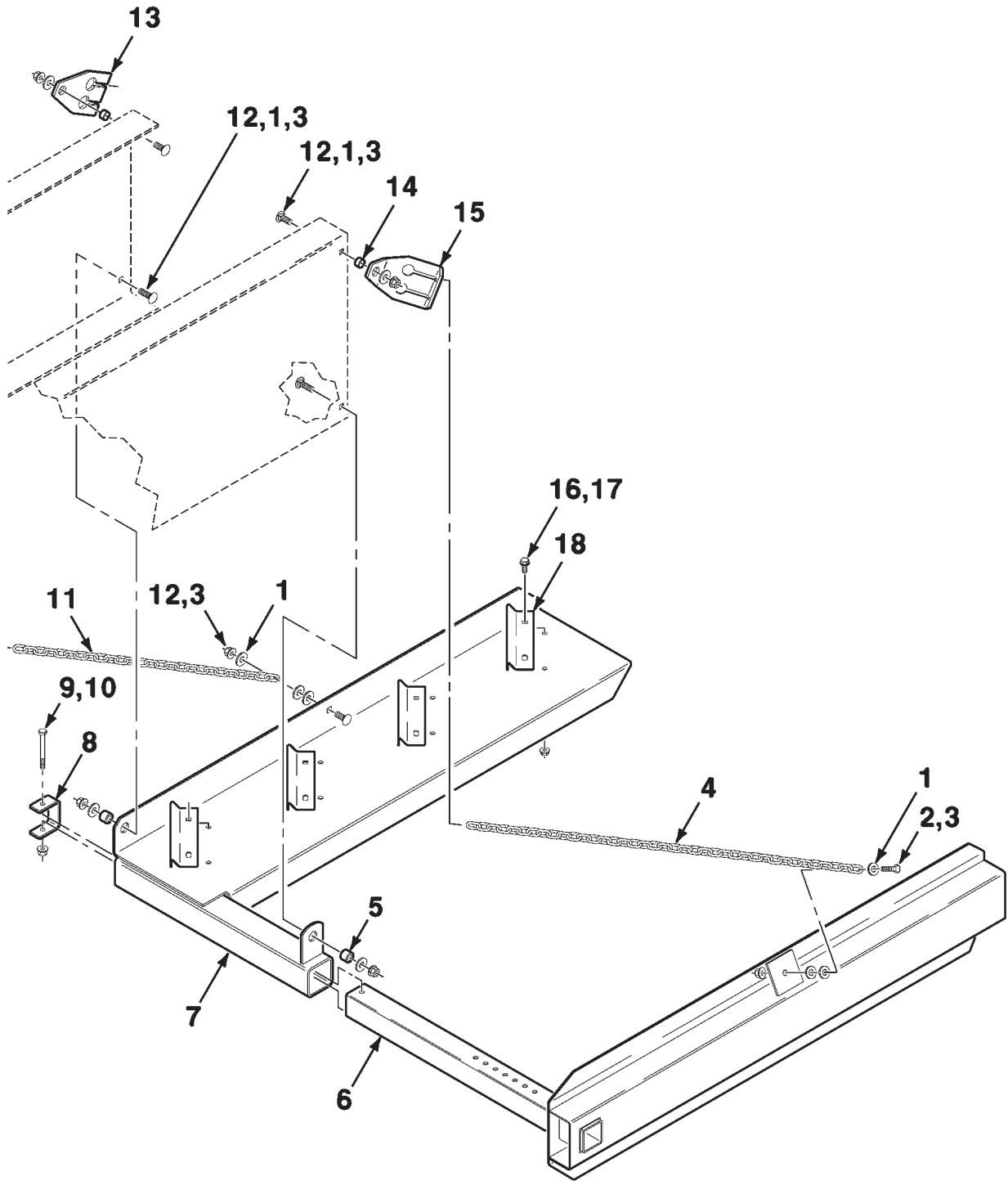
**89**

**BALE CHUTE EXTENSION KIT  
(MKD40417 BALE CHUTE EXTENSION KIT)**

ITEM	NUMBER	QTY	DESCRIPTION
-	MKD40417	1	BALE CHUTE EXTENSION KIT (WHOLEGOODS ONLY)
1	70923220	2	BOLT-CARRIAGE, 3/8-16 X 1-1/4
2	70917378	8	WASHER-PLAIN, 3/8
3	Y704734	4	NUT-LOCK, FLANGE, 3/8-16
4	6559504	2	CHAIN
5	706325	2	SCREW, 3/8-16 X 3/4
6	6559512	1	TABLE-BALE

700951070-0

**BALE CHUTE QUARTERTURN KIT**  
(MKD50391 BALE CHUTE QUARTER TURN KIT)



1835 RECTANGULAR BALER  
DECALS AND KITS

91

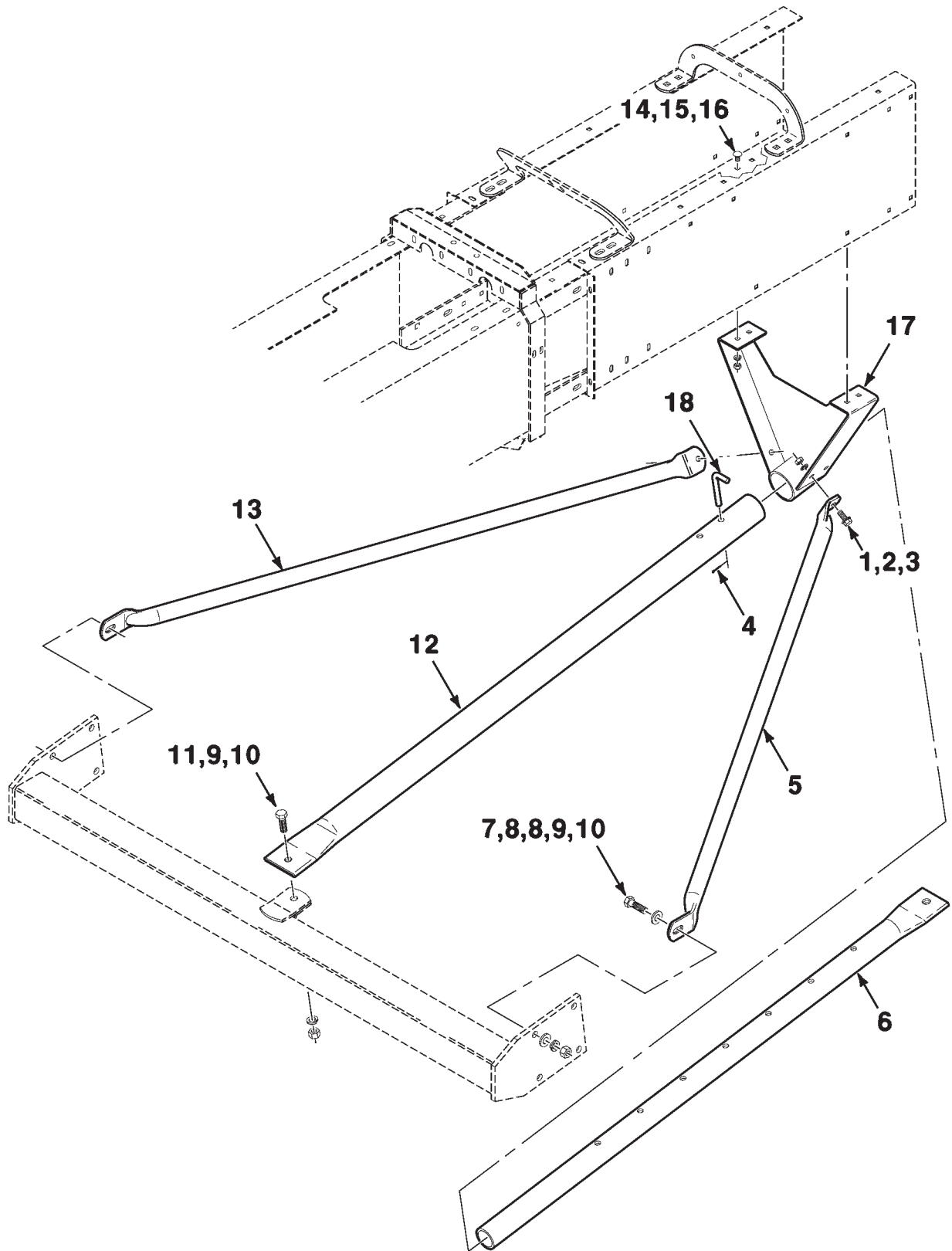
BALE CHUTE QUARTER TURN KIT  
(MKD50391 BALE CHUTE QUARTER TURN KIT)

ITEM	NUMBER	QTY	DESCRIPTION
-	MKD50391	1	BALE CHUTE QUARTER TURN KIT (WOLEGOODS ONLY)
1	70917378	10	WASHER-PLAIN, 3/8
2	70920415	1	CAPSCREW, 3/8-16 X 1-1/4
3	Y704734	6	NUT-LOCK, FLANGE, 3/8-16
4	6450183	1	CHAIN-CHUTE, LEFT, 36 INCH
5	6856512	2	SPACER
6	700112628B	1	CHUTE WA-BALE, LEFT
7	700112635B	1	CHUTE WA-BALE, RIGHT
8	700108714	1	STOP-EXTENSION
9	70925689	1	CAPSCREW, 5/16-18 X 3
10	Y704726	1	NUT-LOCK, FLANGE, 5/16-18
11	6559876	1	CHAIN-CHUTE, RIGHT, 25 INCH
12	70923220	5	BOLT-CARRIAGE, 3/8-16 X 1-1/4
13	6859102B	1	BRACKET-CHAIN, RIGHT
14	6475495	2	SPACER
15	6856538B	1	BRACKET-CHAIN, LEFT
16	7883325	8	SCREW-FLANGE, 5/16-18 X 3/4
17	70931277	8	NUT-LOCK, FLANGE, 5/16-18
18	6856520B	4	ANGLE-GUIDE

700951071-0

1835 RECTANGULAR BALER  
DECALS AND KITS

WAGON HITCH KIT  
(MKD50392 WAGON HITCH KIT)



**1835 RECTANGULAR BALER  
DECALS AND KITS**

**93**

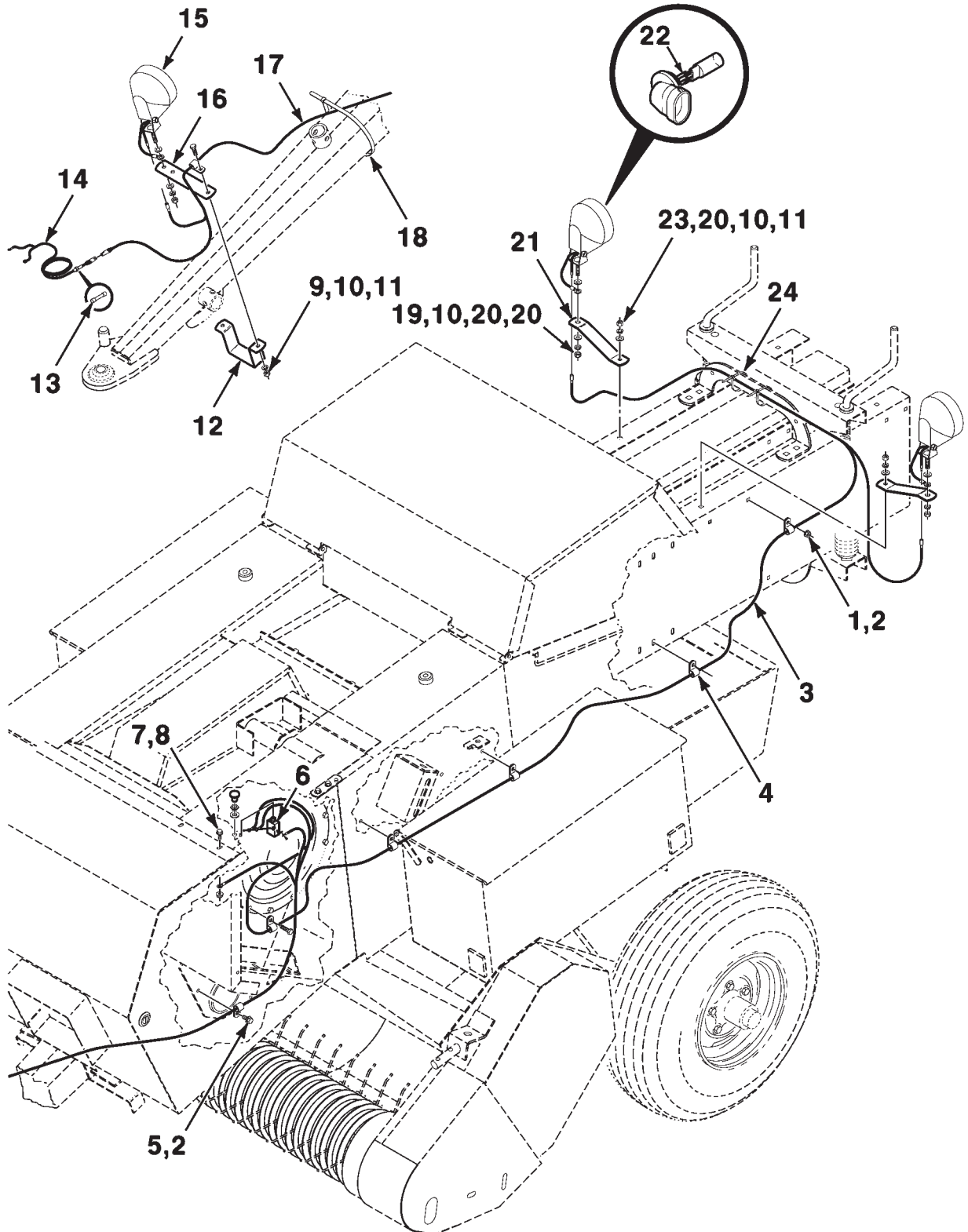
**WAGON HITCH KIT  
(MKD50392 WAGON HITCH KIT)**

ITEM	NUMBER	QTY	DESCRIPTION
-	MKD50392	1	WAGON HITCH KIT (WHOLEGOODS ONLY)
1	70934980	2	SCREW-FLANGE, 1/2-13 X 1-1/4
2	Y705046	2	WASHER-SPRING, 1/2
3	704031	2	NUT, 1/2-13
4	70918452	1	PIN-COTTER, 1/8 X 1
5	700122609	1	STRUT-LEFT
6	700112625	1	TUBE-HITCH
7	70922664	2	CAPSCREW, 5/8-11 X 2
8	Y705582	4	WASHER-PLAIN, 5/8
9	70917373	3	WASHER-SPRING, 5/8
10	70932665	3	NUT, 5/8-11
11	70923112	1	CAPSCREW, 5/8-11 X 1-3/4
12	700112618B	1	TUBE-OUTER, FRONT
13	700122610B	1	STRUT-RIGHT
14	70922784	4	BOLT-CARRIAGE, 3/8-16 X 3/4
15	70916965	4	WASHER-SPRING, 3/8
16	70916950	4	NUT, 3/8-16
17	700112619B	1	MOUNTING-SUPPORT, REAR
18	6557565B	1	PIN

700951072-0

1835 RECTANGULAR BALER  
DECALS AND KITS

FIELD LIGHT KIT  
(MKD40445 FIELD LIGHT KIT)





**1835 RECTANGULAR BALER  
DECALS AND KITS**

95

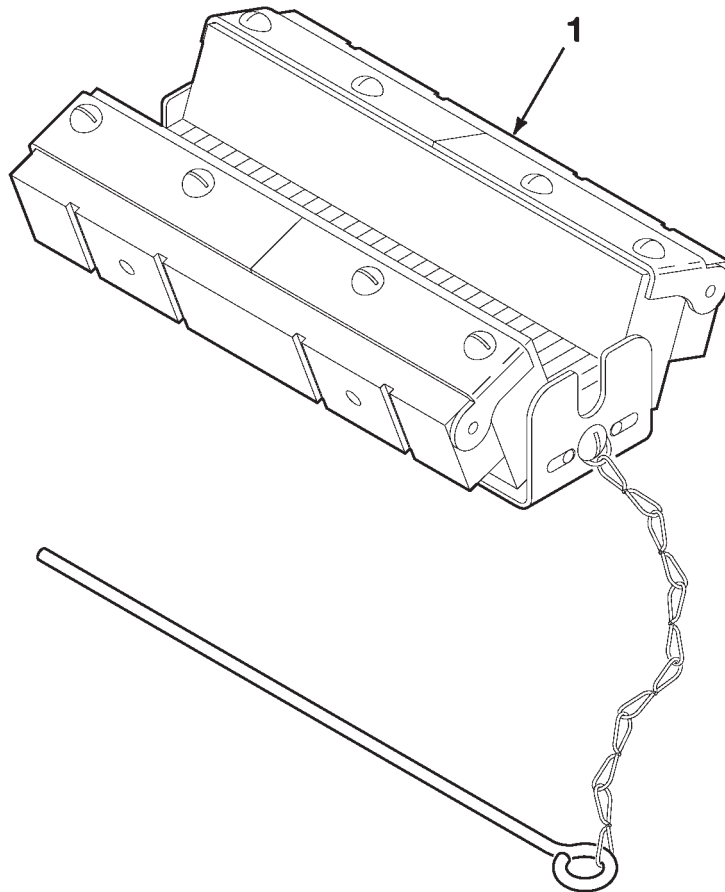
**FIELD LIGHT KIT  
(MKD40445 FIELD LIGHT KIT)**

ITEM	NUMBER	QTY	DESCRIPTION
-	MKD40445	1	FIELD LIGHT KIT (WHOLEGOODS ONLY)
1	70922784	1	BOLT-CARRIAGE, 3/8-16 X 3/4
2	704247	2	NUT-LOCK, FLANGE, 3/8-16
3	700704526	1	HARNESS-WIRING, REAR
4	70928654	7	CLAMP-LINE
5	7703432	1	SCREW-FLANGE, 3/8-16 X 3/4
6	41137	1	SWITCH
7	Y703132	1	SCREW-FLANGE, 5/16-18 X 3/4
8	70931277	1	NUT-LOCK, FLANGE, 5/16-18
9	70921210	2	CAPSCREW, 3/8-16 X 1
10	70916965	7	WASHER-SPRING, 3/8
11	70916950	4	NUT, 3/8-16
12	700116986	1	CLAMP-MOUNTING
13	70931768	1	FUSE-15 AMP
14	2700179	1	HARNESS-WIRING
14	70931768	1	FUSE-15 AMP
15	700721617	3	LAMP ASSEMBLY
15	70923434	1	NUT, 3/8-24
15	70916965	1	WASHER-SPRING, 3/8
15	Y705533	2	WASHER-PLAIN, 3/8
15	285871M1	1	BULB-12 VOLT, HALOGEN
16	700116985	1	STRAP-MOUNTING
17	700704525	1	HARNESS-WIRING, TO SWITCH
18	70935468	1	TIE-CABLE, 30-5/8
19	70923434	3	NUT, 3/8-24
20	Y705533	8	WASHER-PLAIN, 3/8
21	700108708	2	STRAP-BRACKET
22	285871M1	2	BULB-12 VOLT, HALOGEN
23	70923220	2	BOLT-CARRIAGE, 3/8-16 X 1-1/4
24	70925094	2	TIE-CABLE, 8-1/2

700951077-0

1835 RECTANGULAR BALER  
DECALS AND KITS

LACER AND SPLICER TOOL KIT  
(700707822-10 INCH BELT VICE LACER KIT)



**1835 RECTANGULAR BALER  
DECALS AND KITS**

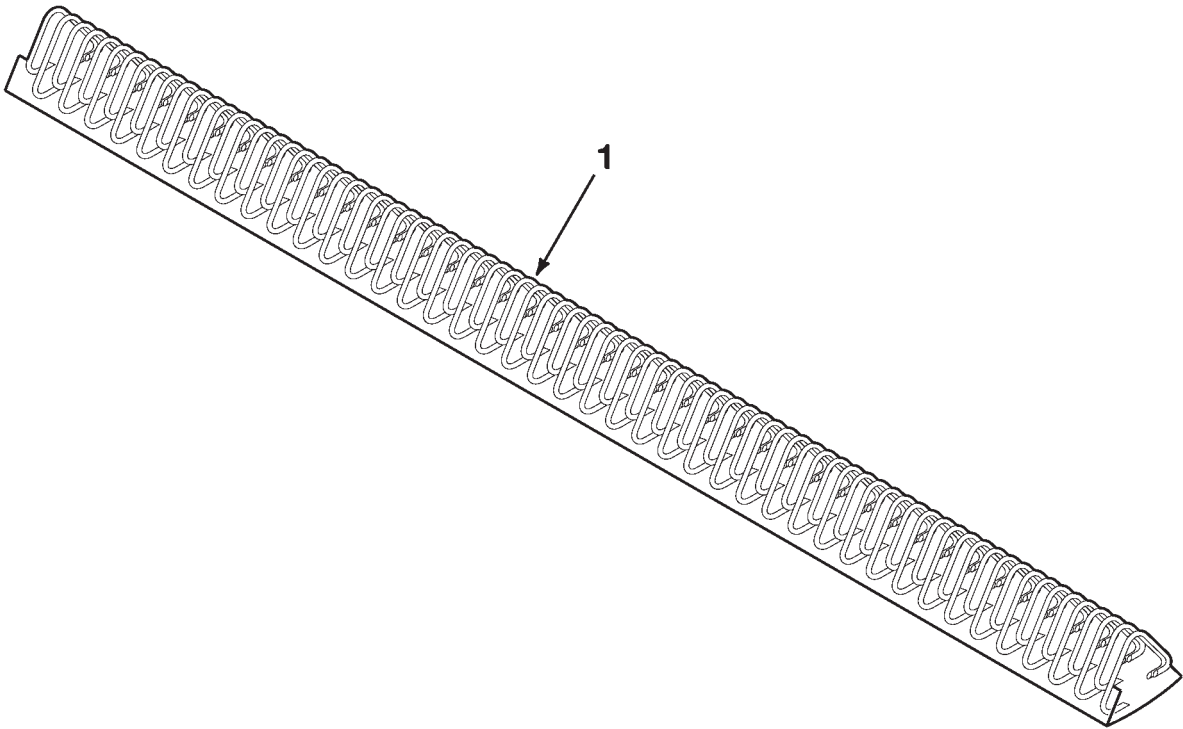
**97**

**LACER AND SPLICER TOOL KIT  
(700707822-10 INCH BELT VICE LACER KIT)**

ITEM	NUMBER	QTY	DESCRIPTION
1	700707822	1	10 INCH BELT VICE LACER KIT

828459-0

**CLIPPER LACING KIT (HOOKS AND PINS)**  
(700707821 BELT CLIPPER LACING KIT)



**1835 RECTANGULAR BALER**  
DECALS AND KITS

99

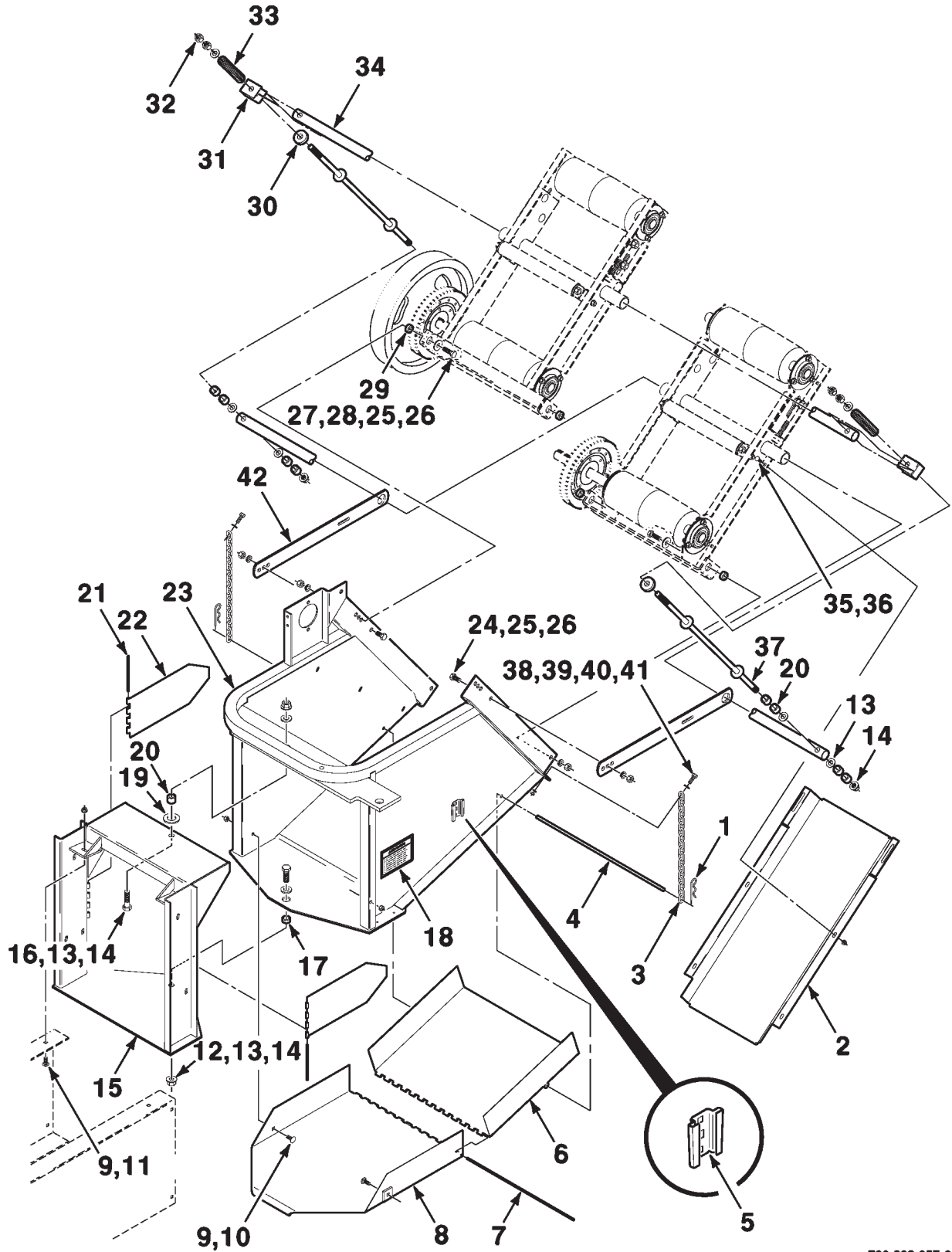
**CLIPPER LACING KIT (HOOKS AND PINS)**  
(700707821 BELT CLIPPER LACING KIT)

ITEM	NUMBER	QTY	DESCRIPTION
1	700707821	1	BELT LACING KIT

700707821-0

1835 RECTANGULAR BALER  
DECALS AND KITS

BALETHROWER KIT  
(MKD40634 BALE THROWER KIT)



**1835 RECTANGULAR BALER  
DECALS AND KITS**

101

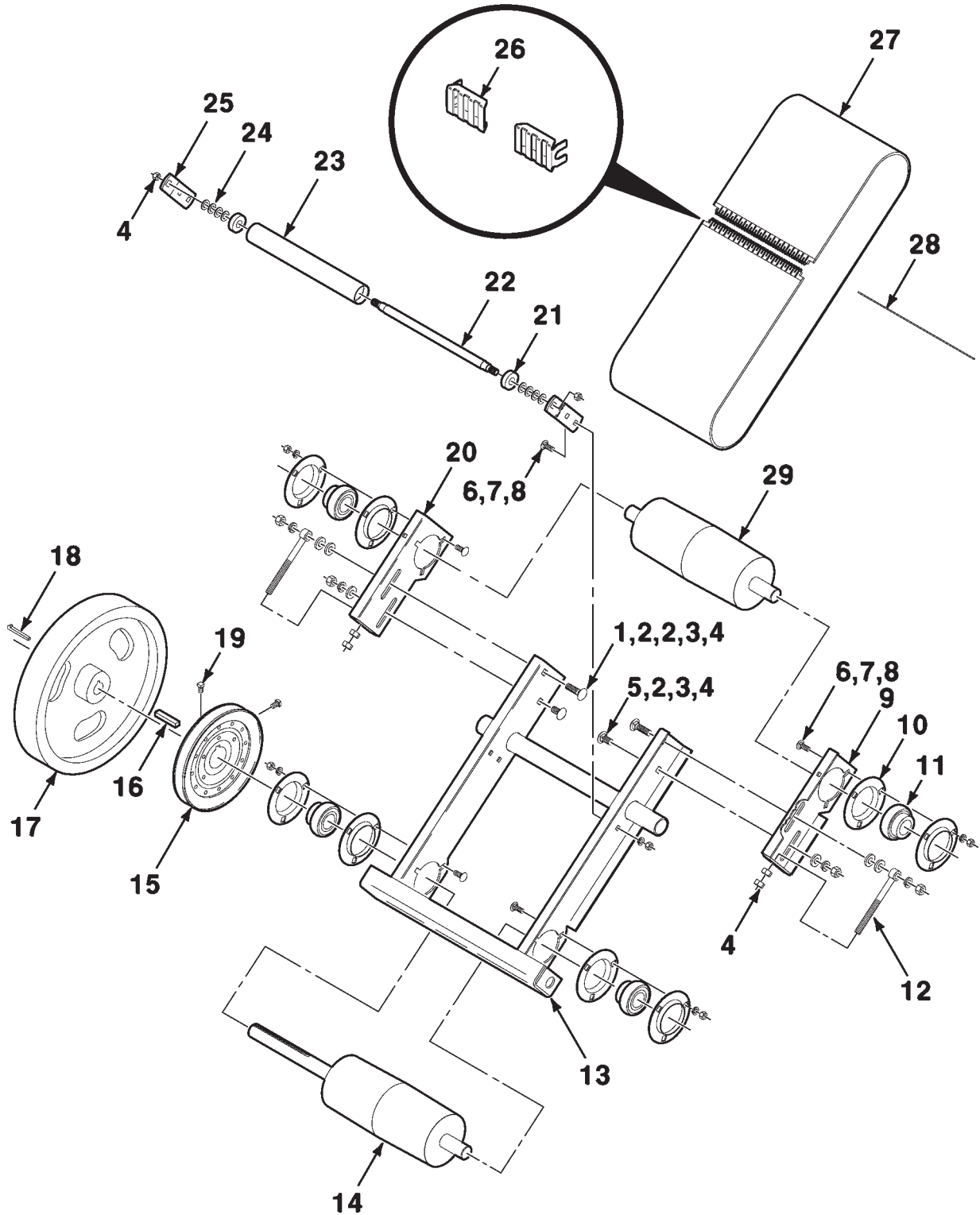
**BALE THROWER KIT  
(MKD40634 BALE THROWER KIT)**

ITEM	NUMBER	QTY	DESCRIPTION
-	MKD40634	1	BALE THROWER KIT (WHOLEGOODS ONLY)
1	98-2107	2	PIN-HAIR, COTTER, .148
2	700115573M	1	SHIELD-LOWER
3	1662543	2	CHAIN-WELDED (18 LINKS)
4	1662527M	1	PIN-CHUTE
5	79001235	1	BRACKET
6	700112688M	1	CHUTE-UPPER
7	700106235	1	PIN-HINGE
8	700115574M	1	CHUTE-LOWER
9	70922786	10	BOLT-CARRIAGE, 3/8-16 X 1
10	7704141	2	NUT-LOCK, 3/8-16
11	704247	8	NUT-LOCK, FLANGE, 3/8-16
12	70923112	1	CAPSCREW, 5/8-11 X 1-3/4
13	Y705582	8	WASHER-PLAIN, 5/8
14	700703922	4	NUT-LOCK, FLANGE, 5/8-11
15	700112651	1	FRAME-MOUNTING
16	70921360	1	CAPSCREW, 5/8-11 X 2-1/4
17	700106060	1	BUSHING-LOWER
18	700714229	1	DECAL-WARNING
19	705574	1	WASHER-PLAIN, 1
20	6143358	9	SPACER
21	1662535	2	PIN-HINGE
22	1662519M	2	SHIELD-BALE CHUTE
23	700112673	1	FRAME WA-CHUTE
23	79001235	1	BRACKET
23	700714229	1	DECAL-WARNING
24	70923114	2	CAPSCREW, 1/2-13 X 1
25	Y705046	6	WASHER-SPRING, 1/2
26	704031	6	NUT, 1/2-13
27	701235	4	CAPSCREW, 1/2-13 X 1-1/2
28	70918431	4	WASHER-PLAIN, 1/2
29	378604	4	BUSHING
30	7827116	2	PAD-RUBBER
31	700111507M	2	CLEVIS-CLIP
32	70932665	4	NUT, 5/8-11
33	7758253	2	SPRING-COMPRESSION
34	700112051	2	PIPE-CROSS
35	70931333	6	BOLT-CARRIAGE, 5/16-18 X 3/4
36	70931277	6	NUT-LOCK, FLANGE, 5/16-18
37	700112662M	2	ROD WA
38	70921210	2	CAPSCREW, 3/8-16 X 1
39	Y705533	2	WASHER-PLAIN, 3/8
40	70916965	2	WASHER-SPRING, 3/8
41	70916950	2	NUT, 3/8-16
42	700112341	2	STRAP-LINK

700903057-2

1835 RECTANGULAR BALER  
DECALS AND KITS

BALE THROWER CHUTE-UPPER





**1835 RECTANGULAR BALER  
DECALS AND KITS**

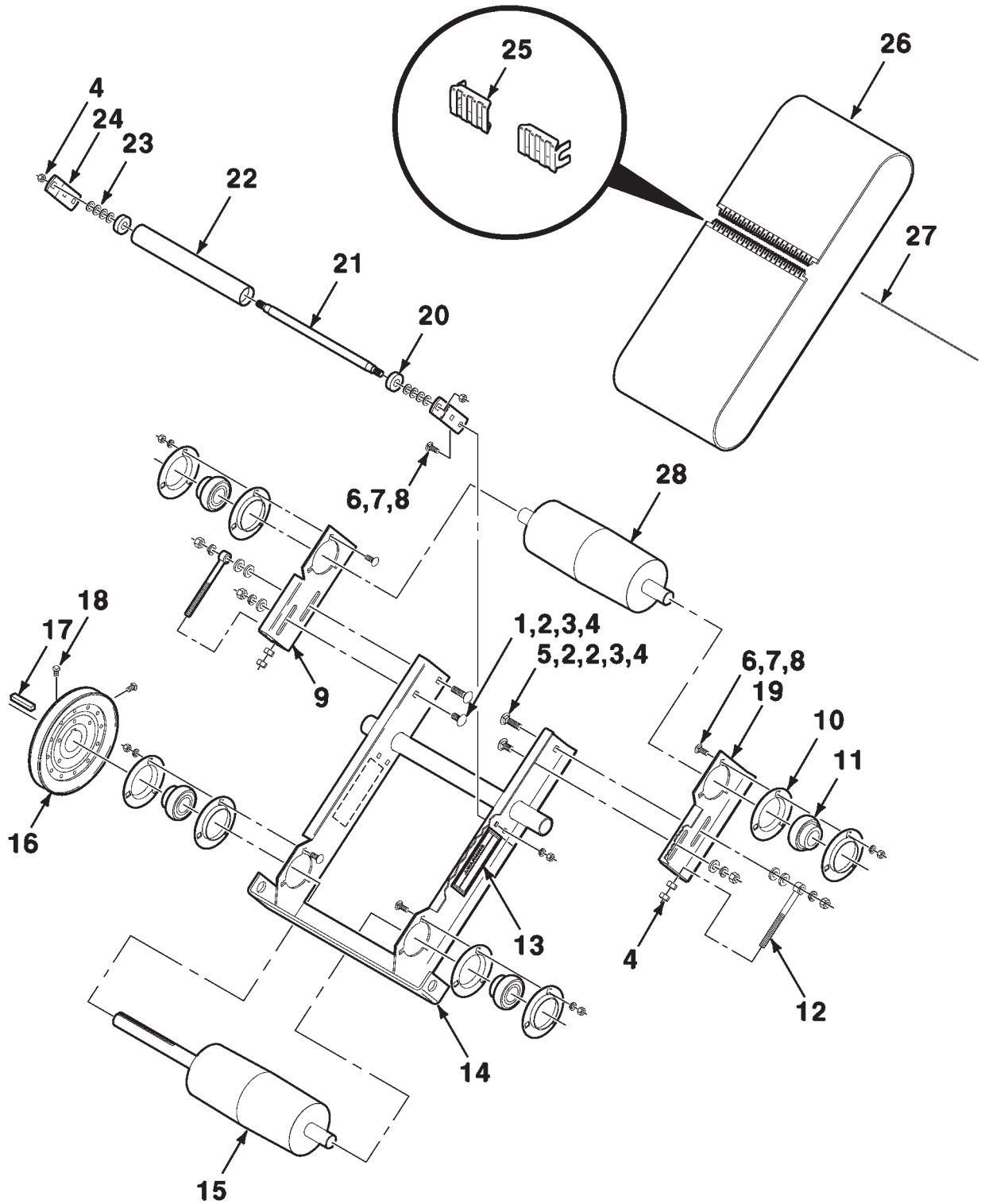
**103**

**BALE THROWER CHUTE-UPPER**

ITEM	NUMBER	QTY	DESCRIPTION
1	70931810	2	BOLT-CARRIAGE, 1/2-13 X 1-3/4
2	705541	6	WASHER-PLAIN, 1/2
3	Y705046	4	WASHER-SPRING, 1/2
4	704031	10	NUT, 1/2-13
5	70928367	2	BOLT-CARRIAGE, 1/2-13 X 1
6	70922786	16	BOLT-CARRIAGE, 3/8-16 X 1
7	70916965	16	WASHER-SPRING, 3/8
8	70916950	16	NUT, 3/8-16
9	700112634	1	SUPPORT-BEARING, LEFT
10	51417	8	FLANGE-BEARING
11	51292	4	BEARING-SPHERICAL
12	113985	2	BOLT-EYE, 1/2-13 X 6
13	700112645	1	FRAME WA-THROWER, UPPER
14	700121569	1	ROLLER-BELT, LOWER
15	700706359	1	SHEAVE-DRIVE
16	61069	1	KEY-SQUARE, 1/4 X 1/4 X 1
17	700111614	1	FLYWHEEL
18	61978	1	KEY-GIB, 1/4 X 2-1/2
19	70923084	2	SETSCREW-SQUARE HEAD, NON-PLATED, 3/8-16 X 1/2
20	700112661	1	SUPPORT-BEARING, RIGHT
21	828123M2	2	BEARING-RADIAL
22	6556898	1	SHAFT-ROLLER
23	700121907	1	ROLLER WA-TUBE
24	52886	8	BUSHING-NARROW, 1/2 X 14
25	700110303	2	SUPPORT-MOUNTING, TUBE
26	700707322	2	FASTENER-SMARTLOC
27	828194	1	BELT-CONVEYOR
28	700711329	1	PIN-LACING
29	700121568M	1	ROLLER WA-DRIVEN, UPPER

700112665-0

BALETHROWER CHUTE-LOWER



**1835 RECTANGULAR BALER  
DECALS AND KITS**

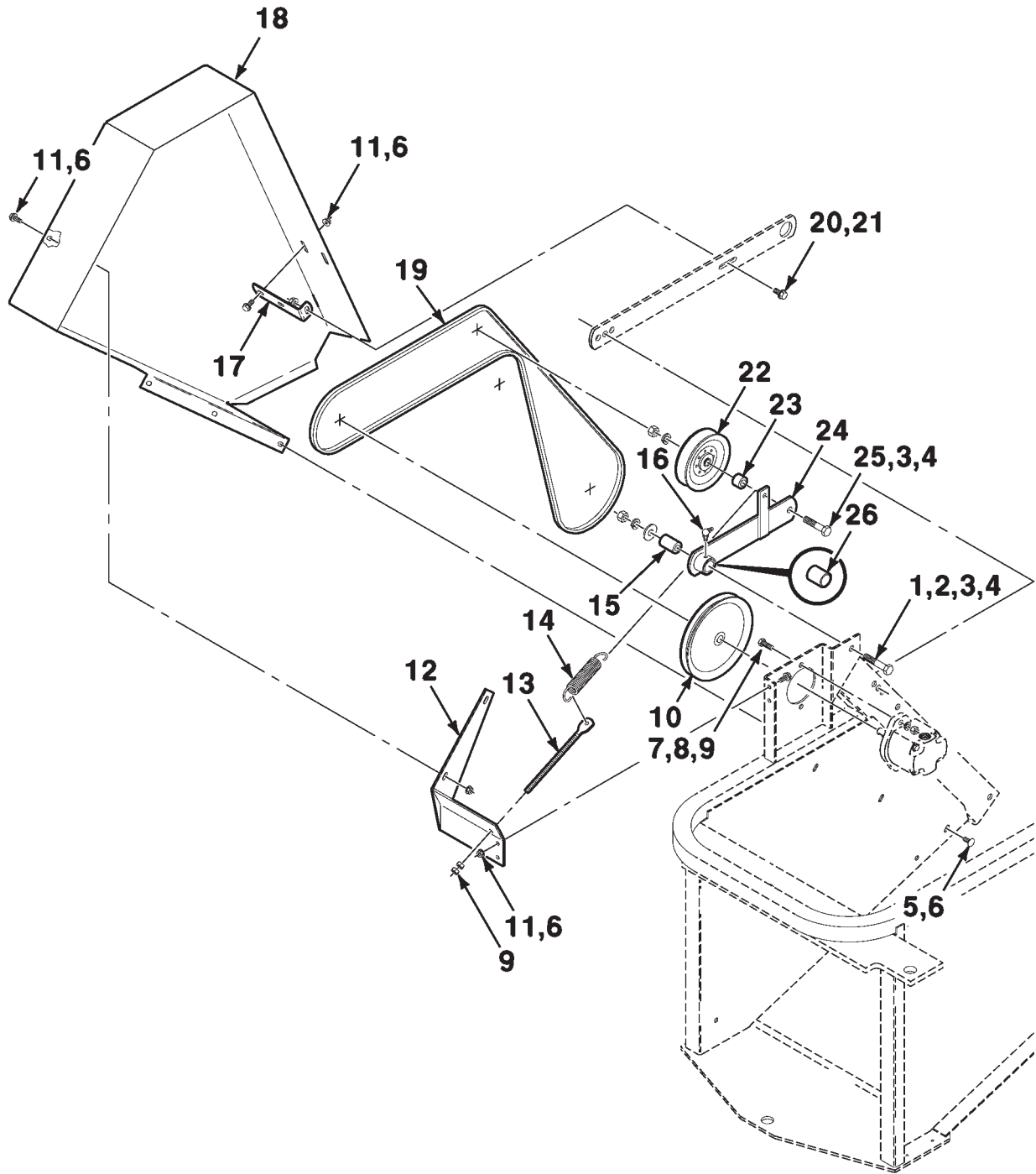
105

**BALETHROWER CHUTE-LOWER**

ITEM	NUMBER	QTY	DESCRIPTION
1	70928367	2	BOLT-CARRIAGE, 1/2-13 X 1
2	705541	6	WASHER-PLAIN, 1/2
3	Y705046	4	WASHER-SPRING, 1/2
4	704031	10	NUT, 1/2-13
5	70931810	2	BOLT-CARRIAGE, 1/2-13 X 1-3/4
6	70922786	16	BOLT-CARRIAGE, 3/8-16 X 1
7	70916965	16	WASHER-SPRING, 3/8
8	70916950	16	NUT, 3/8-16
9	700112634	1	SUPPORT-BEARING, RIGHT
10	51417	8	FLANGE-BEARING
11	51292	4	BEARING-SPHERICAL
12	113985	2	BOLT-EYE, 1/2-13 X 6
13	7778368	2	DECAL-WARNING
14	700112645	1	FRAME ASSEMBLY-THROWER, LOWER
14	7778368	2	DECAL-WARNING
15	700121569	1	ROLLER-BELT, LOWER
16	700706359	1	SHEAVE-DRIVE
17	61069	1	KEY-SQUARE, 1/4 X 1/4 X 1
18	70923084	2	SETSCREW-SQUARE HEAD, NON-PLATED, 3/8-16 X 1/2
19	700112661	1	SUPPORT-BEARING, LEFT
20	828123M2	2	BEARING-RADIAL
21	6556898	1	SHAFT-ROLLER
22	700121907	1	ROLLER WA-TUBE
23	52886	8	BUSHING-NARROW, 1/2 X 14
24	700110303	2	SUPPORT-MOUNTING, TUBE
25	700707322	2	FASTENER-SMARTLOC
26	828194	1	BELT-CONVEYOR
27	700711329	1	PIN-LACING
28	700121568M	1	ROLLER WA-DRIVEN, UPPER

700112666-0

BALETHROWER DRIVE



1835 RECTANGULAR BALER  
DECALS AND KITS

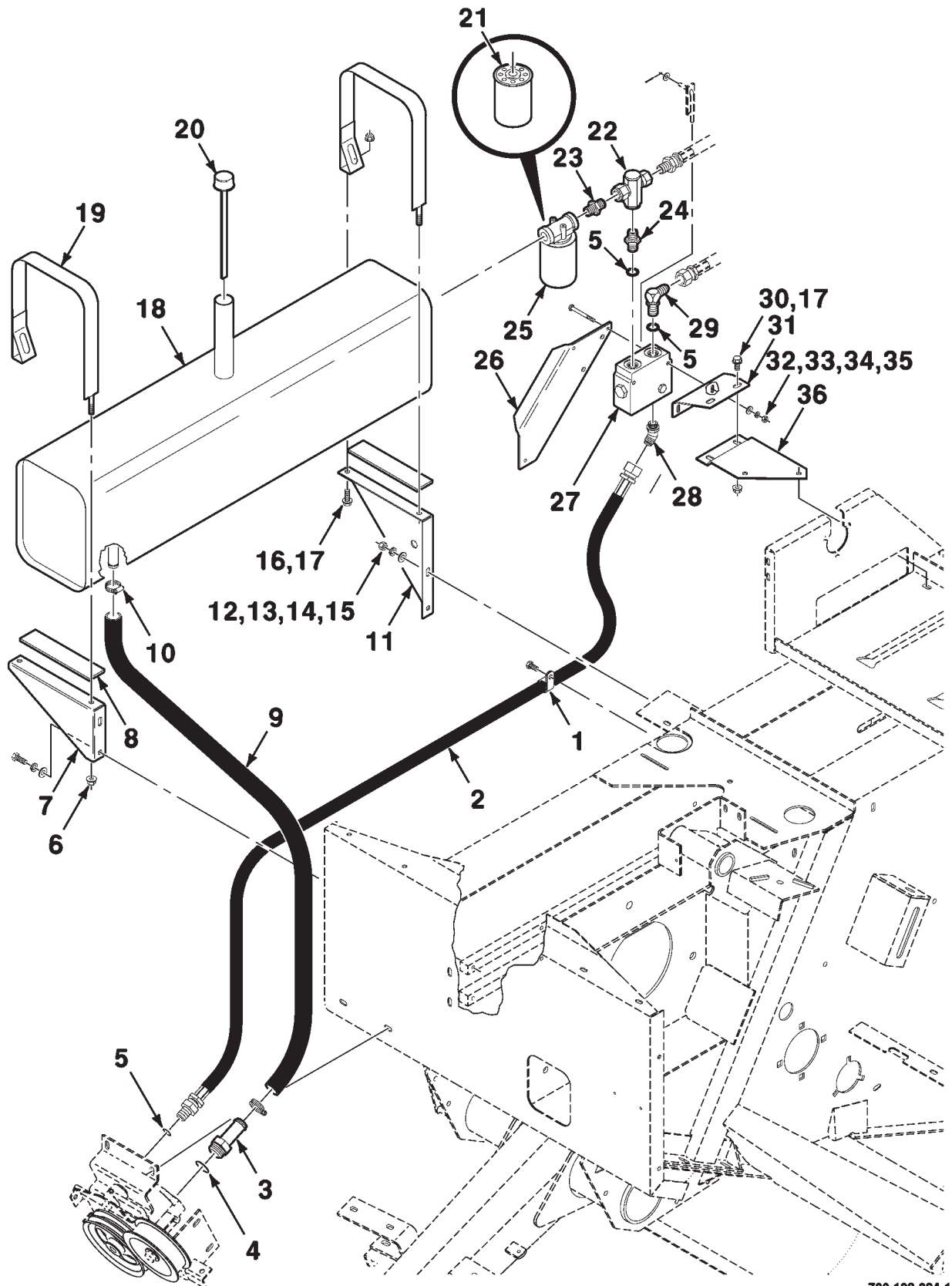
107

BALETHROWER DRIVE

ITEM	NUMBER	QTY	DESCRIPTION
1	70921211	1	CAPSCREW, 1/2-13 X 2-1/2
2	70918431	1	WASHER-PLAIN, 1/2
3	Y705046	2	WASHER-SPRING, 1/2
4	704031	2	NUT, 1/2-13
5	70931333	3	BOLT-CARRIAGE, 5/16-18 X 3/4
6	70931277	9	NUT-LOCK, FLANGE, 5/16-18
7	70921210	2	CAPSCREW, 3/8-16 X 1
8	70916965	2	WASHER-SPRING, 3/8
9	70916950	4	NUT, 3/8-16
10	7053325	1	SHEAVE-DRIVE
11	7883325	6	SCREW-FLANGE, 5/16-18 X 3/4
12	700112729	1	BRACKET-SHIELD
13	263350M	1	BOLT-DRAW, 3/8-16 X 8-1/8
14	758102	1	SPRING-TENSION
15	700111508M	1	BUSHING
16	70925731	1	ZERK, 1/4-28 X 45 Degree
17	700112668	1	BRACKET-MOUNTING
18	700112627M	1	SHIELD
19	57158	1	V-BELT
20	7883374	1	SCREW-FLANGE, 3/8-16 X 3/4
21	704247	1	NUT-LOCK, FLANGE, 3/8-16
22	53553	1	V-IDLER
23	6507388	1	SPACER
24	700112669M	1	TIGHTENER ASSEMBLY-BELT
24	740217	1	BUSHING
25	70922645	1	CAPSCREW, 1/2-13 X 2-1/4
26	740217	1	BUSHING

700903057-1

HYDRAULIC DRIVE AND CONTROL-FRONT  
(GEAR PUMP)



**1835 RECTANGULAR BALER  
DECALS AND KITS**

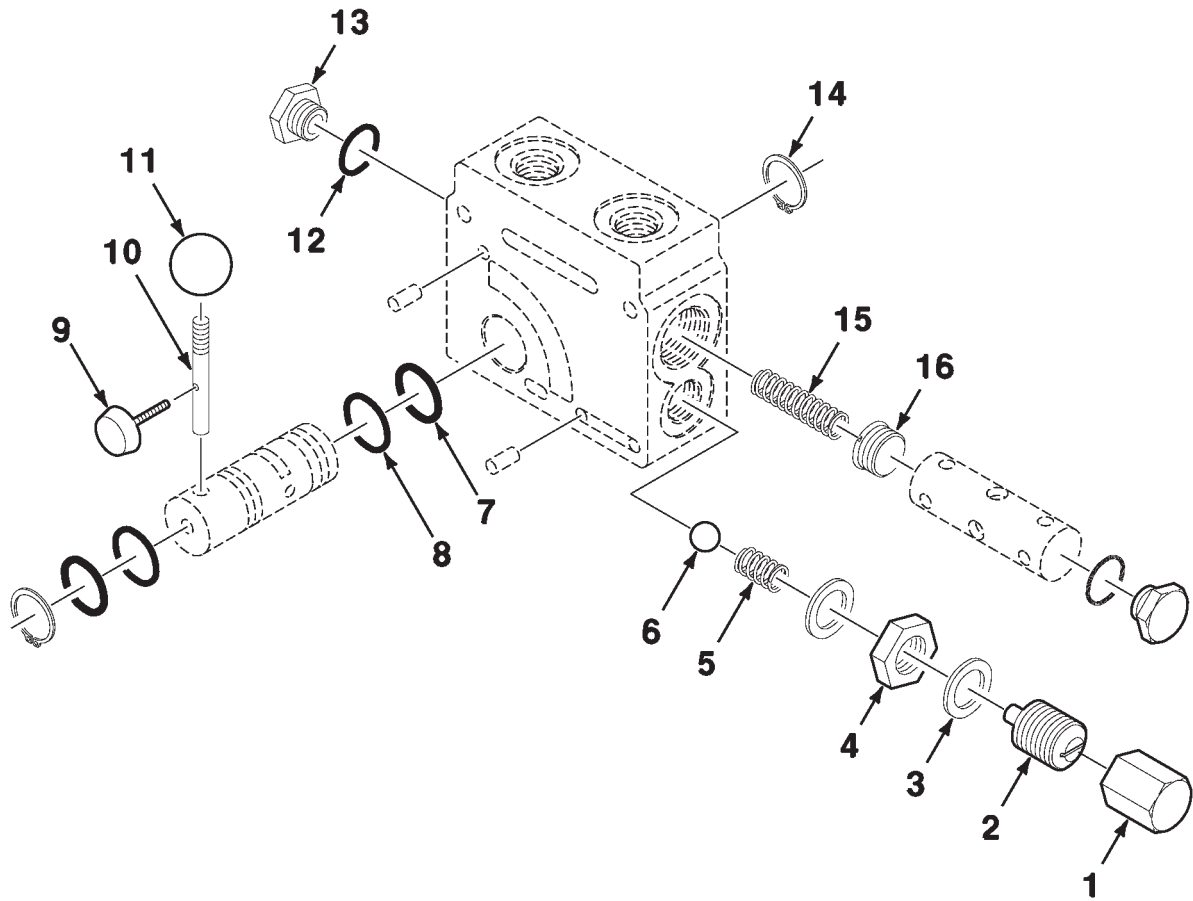
109

**HYDRAULIC DRIVE AND CONTROL-FRONT  
(GEAR PUMP)**

ITEM	NUMBER	QTY	DESCRIPTION
1	70925620	1	CLAMP-HOSE
2	700709945	1	HOSE-HYDRAULIC
2	70921205	1	O-RING, .755 I.D.
3	7791460	1	INSERT-HOSE
3	70921206	1	O-RING, .942 I.D.
4	70921206	1	O-RING, .942 I.D.
5	70921205	3	O-RING, .755 I.D.
6	Y704734	2	NUT-LOCK, FLANGE, 3/8-16
7	700121512	1	SUPPORT-TANK, FRONT
8	700121573	2	LINER-RESERVOIR
9	700709946	1	HOSE-HYDRAULIC, SUCTION
10	364125X1	2	CLAMP-HOSE
11	700121513	1	SUPPORT-TANK, REAR
12	70922784	1	BOLT-CARRIAGE, 3/8-16 X 3/4
13	Y705533	1	WASHER-PLAIN, 3/8
14	70916965	1	WASHER-SPRING, 3/8
15	70916950	1	NUT, 3/8-16
16	7883382	2	SCREW-FLANGE, 3/8-16 X 1
17	704247	4	NUT-LOCK, FLANGE, 3/8-16
18	700709759	1	RESERVOIR-OIL
19	700709944	2	STRAP-RESERVOIR
20	700706418	1	DIP STICK-BREATHING CAP
21	71321111	1	FILTER-OIL
22	7846124	1	TEE-SWIVEL, 3/4-16
23	7846108	1	NIPPLE-MALE, 3/4-16
24	700709943	1	ADAPTER-MALE, 3/4-14 X 7/8-14
24	70921205	1	O-RING, .755 I.D.
25	742643	1	FILTER ASSEMBLY
25	71321111	1	FILTER-OIL
26	700124210	1	MOUNTING-VALVE
27	7796394	1	VALVE-FLOW CONTROL
28	70921328	1	ELBOW, 7/8-14 X 45 Degree
29	70924786	1	ELBOW, 3/4-16 X 7/8-14 X 90 Degree
29	70921205	1	O-RING, .755 I.D.
30	7883374	2	SCREW-FLANGE, 3/8-16 X 3/4
31	700121571	1	ANGLE-SUPPORT, VALVE
32	70923282	2	CAPSCREW, 1/4-20 X 2-1/2
33	353769X1	2	WASHER-PLAIN, 1/4
34	705012	2	WASHER-SPRING, 1/4
35	70916622	2	NUT, 1/4-20
36	700121572	1	SUPPORT-PLATE, VALVE

700128294-1

FLOW CONTROL VALVE ASSEMBLY  
(7796394 VALVE ASSEMBLY)





**1835 RECTANGULAR BALER  
DECALS AND KITS**

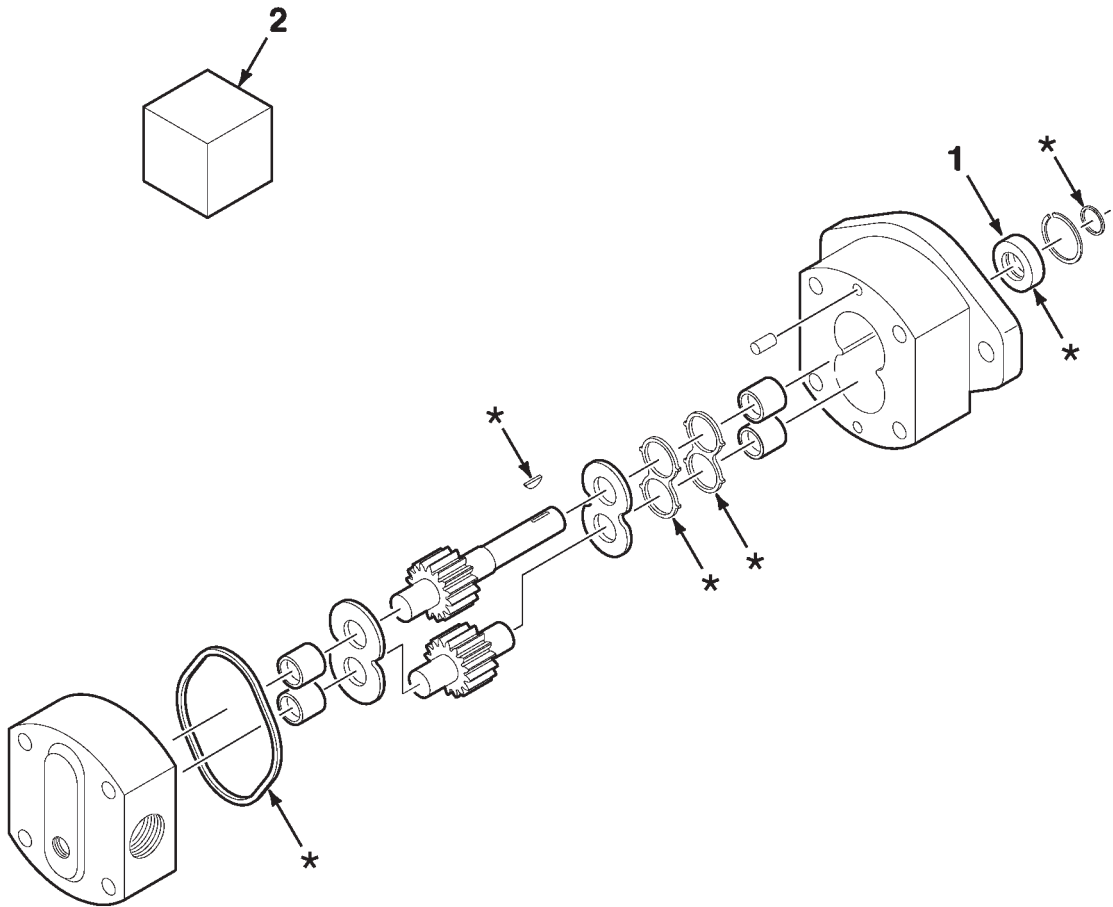
111

**FLOW CONTROL VALVE ASSEMBLY  
(7796394 VALVE ASSEMBLY)**

ITEM	NUMBER	QTY	DESCRIPTION
-	7796394	1	VALVE ASSEMBLY
1	8733297	1	CAP
2	8733347	1	SCREW-ADJUSTING
3	8733289	2	WASHER-ALUMINUM
4	353436X1	1	NUT-HALF, 3/4-16
5	8733321	1	SPRING-RELIEF
6	70917580	1	BALL-STEEL
7	8733370	2	RING-BACK UP
8	70923719	2	O-RING
9	700704950	1	SCREW-THUMB
10	700704948	1	HANDLE
11	700704949	1	KNOB
12	70921206	2	O-RING, .942 I.D.
13	8733305	2	PLUG-MAIN BORE
14	355915X1	2	RING-RETAINING
15	8733313	1	SPRING-METERING
16	8733354	1	PLUG-METER SPOOL

7796394-0

**BALE THROWER HYDRAULIC MOTOR ASSEMBLY**  
(700723556 HYDRAULIC MOTOR ASSEMBLY)



**1835 RECTANGULAR BALER**

**113**

**DECALS AND KITS**

**BALE THROWER HYDRAULIC MOTOR ASSEMBLY**

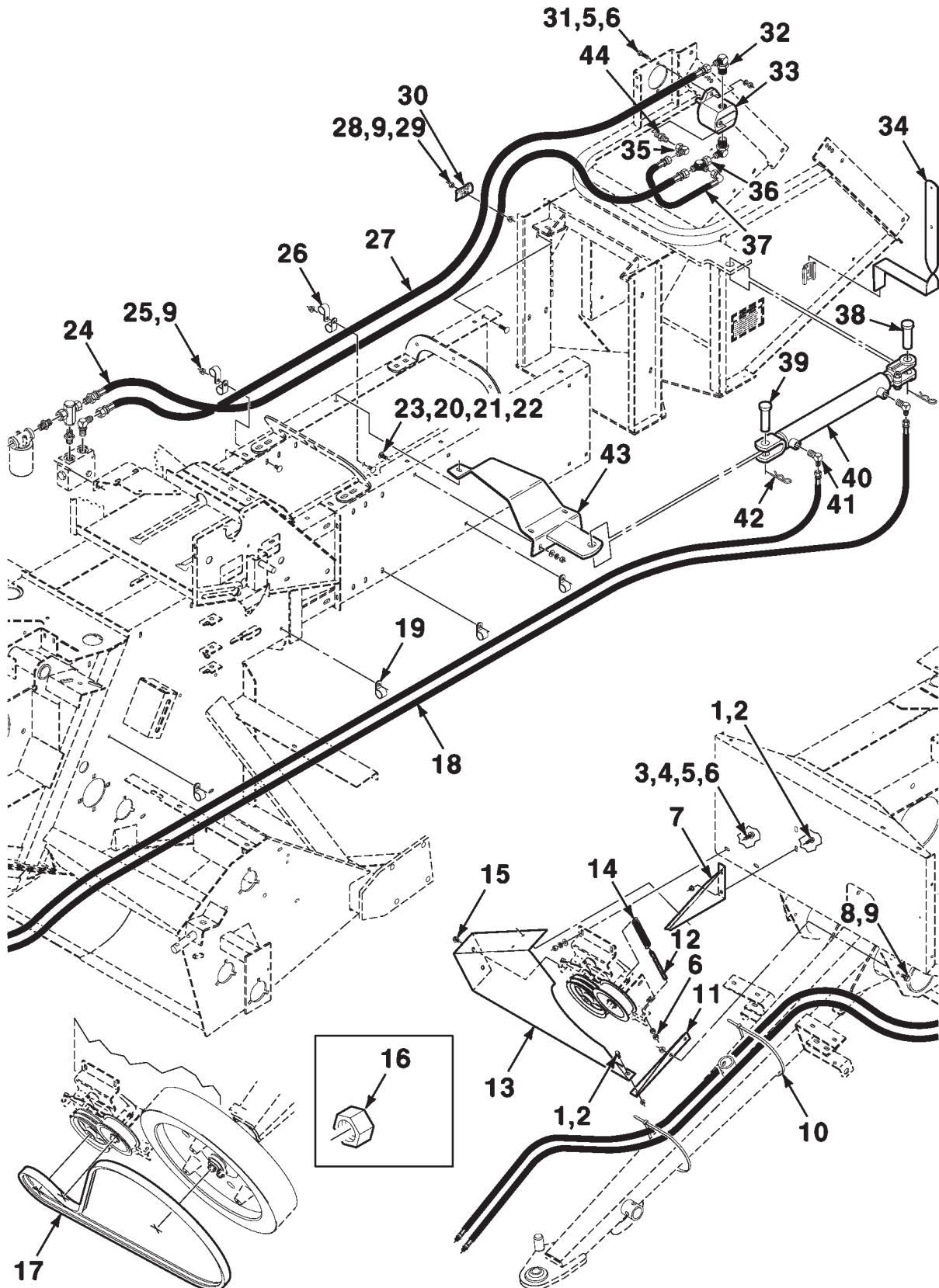
**(700723556 HYDRAULIC MOTOR ASSEMBLY)**

ITEM	NUMBER	QTY	DESCRIPTION
-	700723556	1	HYDRAULIC MOTOR ASSEMBLY
1	700723560	1	SEAL-SHAFT
2	700723561	1	SEAL AND O-RING REPAIR KIT (Includes Items with Asterisk)

700723556-0

1835 RECTANGULAR BALER  
DECALS AND KITS

HYDRAULIC DRIVE AND CONTROL-REAR  
(GEAR PUMP)



**1835 RECTANGULAR BALER  
DECALS AND KITS**

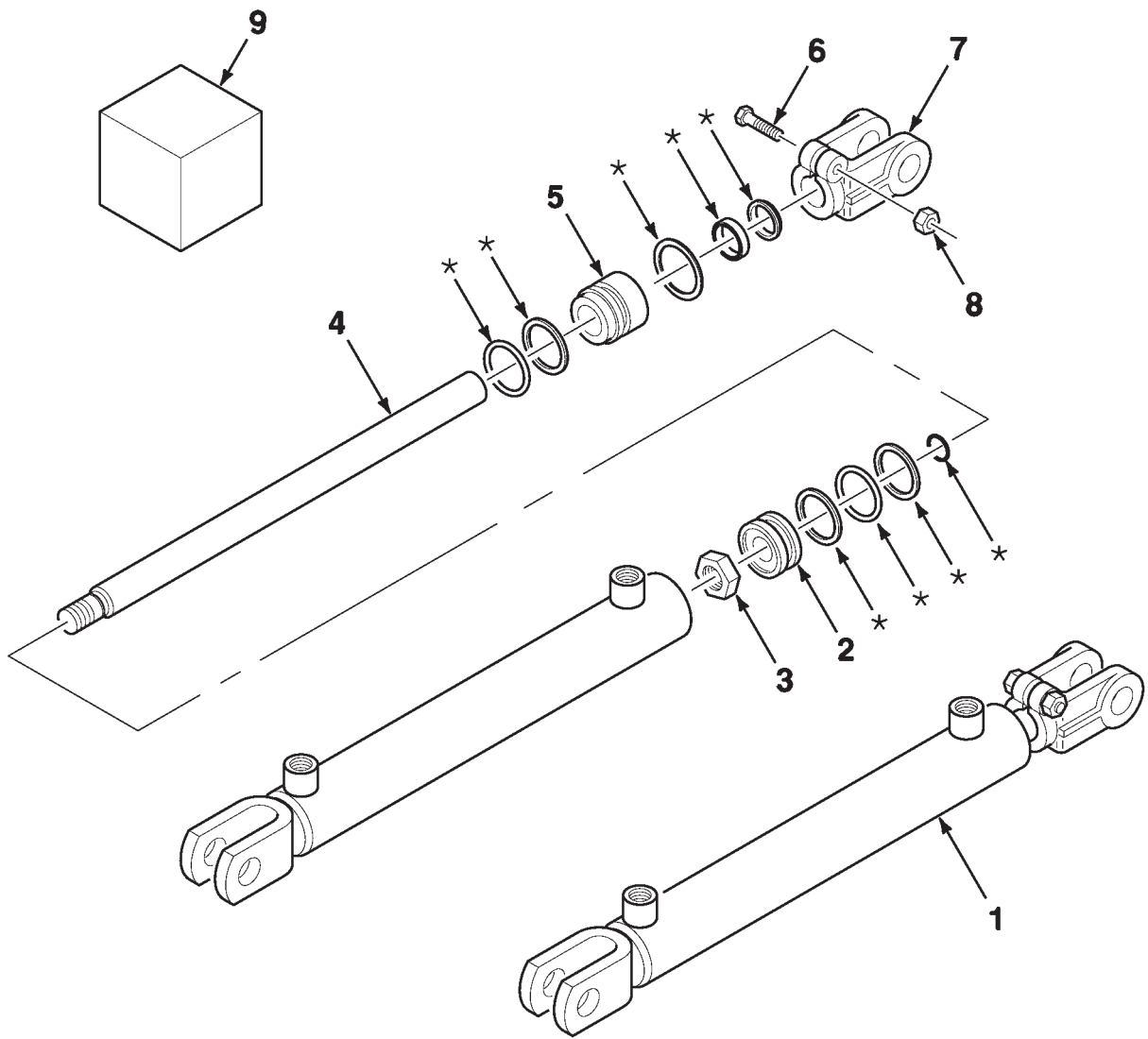
115

**HYDRAULIC DRIVE AND CONTROL-REAR  
(GEAR PUMP)**

ITEM	NUMBER	QTY	DESCRIPTION
1	Y703132	5	SCREW-FLANGE, 5/16-18 X 3/4
2	70931277	5	NUT-LOCK, FLANGE, 5/16-18
3	7703424	4	SCREW-FLANGE, 3/8-16 X 1
4	Y705533	4	WASHER-PLAIN, 3/8
5	70916965	6	WASHER-SPRING, 3/8
6	70916950	8	NUT, 3/8-16
7	700110550	1	SUPPORT-SHIELD, RIGHT
8	7703432	4	SCREW-FLANGE, 3/8-16 X 3/4
9	704247	7	NUT-LOCK, FLANGE, 3/8-16
10	70935468	2	TIE-CABLE, 27-1/2
11	700110306	1	SUPPORT-SHIELD, LEFT
12	6501167	1	BOLT-DRAW, 3/8-16 X 5-1/2
13	700111565M	1	SHIELD-DRIVE
14	Y58180	1	SPRING-TENSION
15	7771322	2	SCREW-FLANGE, 5/16-18 X 1/2
16	70923737	2	CAP, 3/4-16
17	857573	1	V-BELT
18	700706425	2	HOSE-HYDRAULIC
19	70929160	4	CLAMP-LINE
20	Y705533	5	WASHER-PLAIN, 3/8
21	70916965	5	WASHER-SPRING, 3/8
22	70916950	5	NUT, 3/8-16
23	70922786	5	BOLT-CARRIAGE, 3/8-16 X 1
24	700709941	1	HOSE-HYDRAULIC
25	70922784	2	BOLT-CARRIAGE, 3/8-16 X 3/4
26	70925620	4	CLAMP-HOSE
27	700709942	1	HOSE-HYDRAULIC
28	70923220	1	BOLT-CARRIAGE, 3/8-16 X 1-1/4
29	Y704635	1	NUT-LOCK, 3/8-16
30	451641B	1	CLAMP-LINE
31	70920415	2	CAPSCREW, 3/8-16 X 1-1/4
32	70927094	2	ELBOW, 3/4-16 X 1-1/16 - 12 X 90 Degree
32	70921206	1	O-RING, .942 I.D.
33	700723556	1	MOTOR ASSEMBLY-HYDRAULIC
34	1661172M	1	SPADE-SMV
35	70921013	1	ELBOW-SWIVEL, 9/16-18 X 90 Degree
36	70921298	1	TEE-RUN, SWIVEL, 3/4-16
37	700723563	1	HOSE-HYDRAULIC
38	7037682	1	PIN-CLEVIS, SPECIAL, 1
39	700711078	1	PIN-CLEVIS, SPECIAL, 1 X 3-7/32
40	700711032	1	CYLINDER ASSEMBLY-HYDRAULIC
41	70922322	2	ELBOW, 9/16-18 X 1/2-14 X 90 Degree
42	98-2107	2	PIN-HAIR, COTTER, .148
43	700112726	1	BRACKET-MOUNTING, CYLINDER
44	846634	1	CONNECTOR, 9/16-18
44	70921885	1	O-RING, .468 I.D.

700128294-2

BALETHROWER HYDRAULIC CYLINDER ASSEMBLY



**1835 RECTANGULAR BALER**

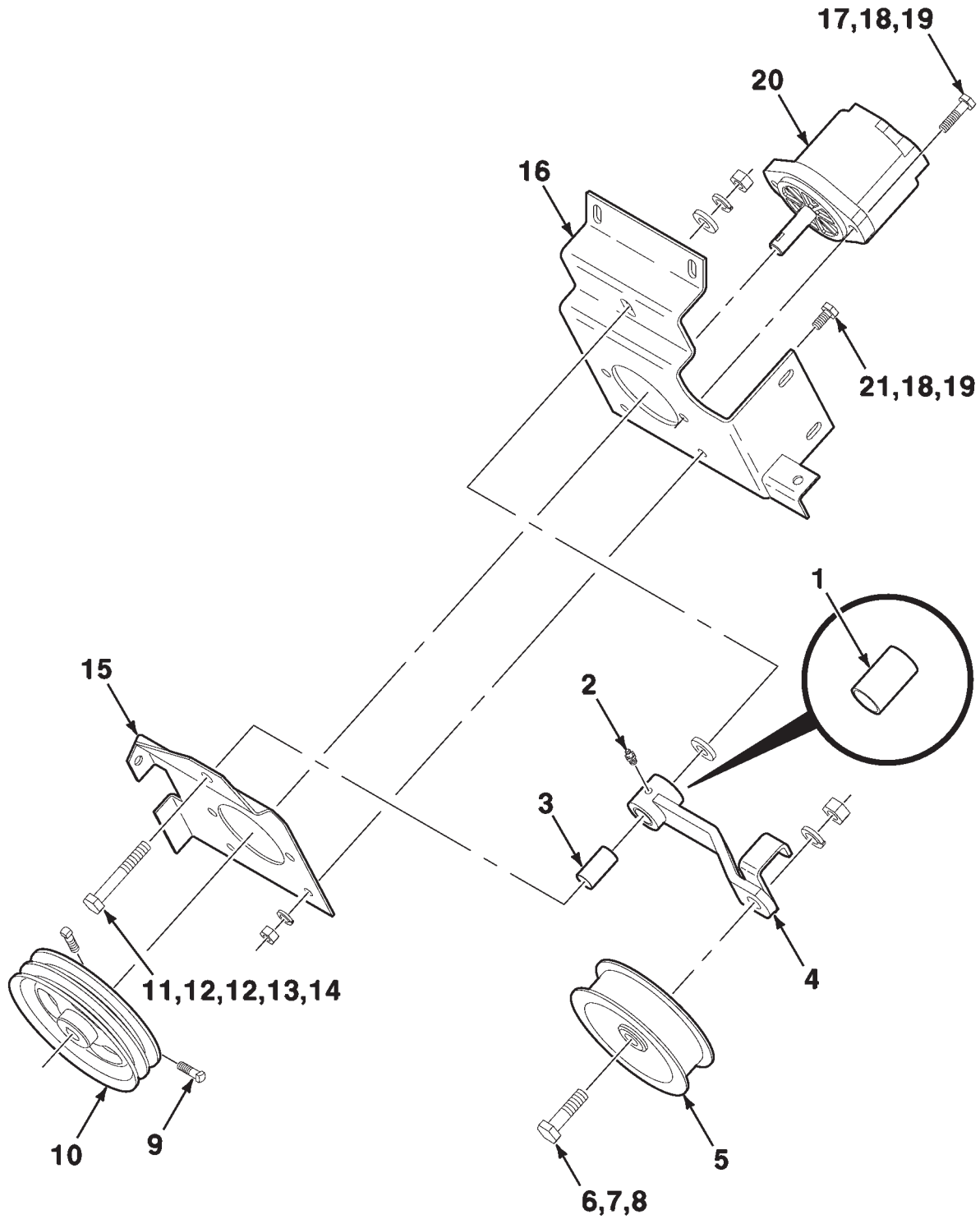
117

**DECALS AND KITS****BALE THROWER HYDRAULIC CYLINDER ASSEMBLY**

ITEM	NUMBER	QTY	DESCRIPTION
1	700711032	1	CYLINDER ASSEMBLY-HYDRAULIC (2 INCH BORE X 14 INCH STROKE)
2	700707418	1	NUT-HALF, 7/8-14
3	700707419	1	PISTON
4	700711111	1	ROD
5	700711112	1	GUIDE
6	70921971	1	CAPSCREW, 3/8-16 X 1-3/4
7	700711113	1	CLEVIS-ROD
8	70916950	1	NUT, 3/8-16
9	700711114	1	SEAL KIT (Includes Items with Asterisk)

700711032-0

HYDRAULIC PUMP AND CLUTCH (GEAR PUMP)





## 1835 RECTANGULAR BALER

119

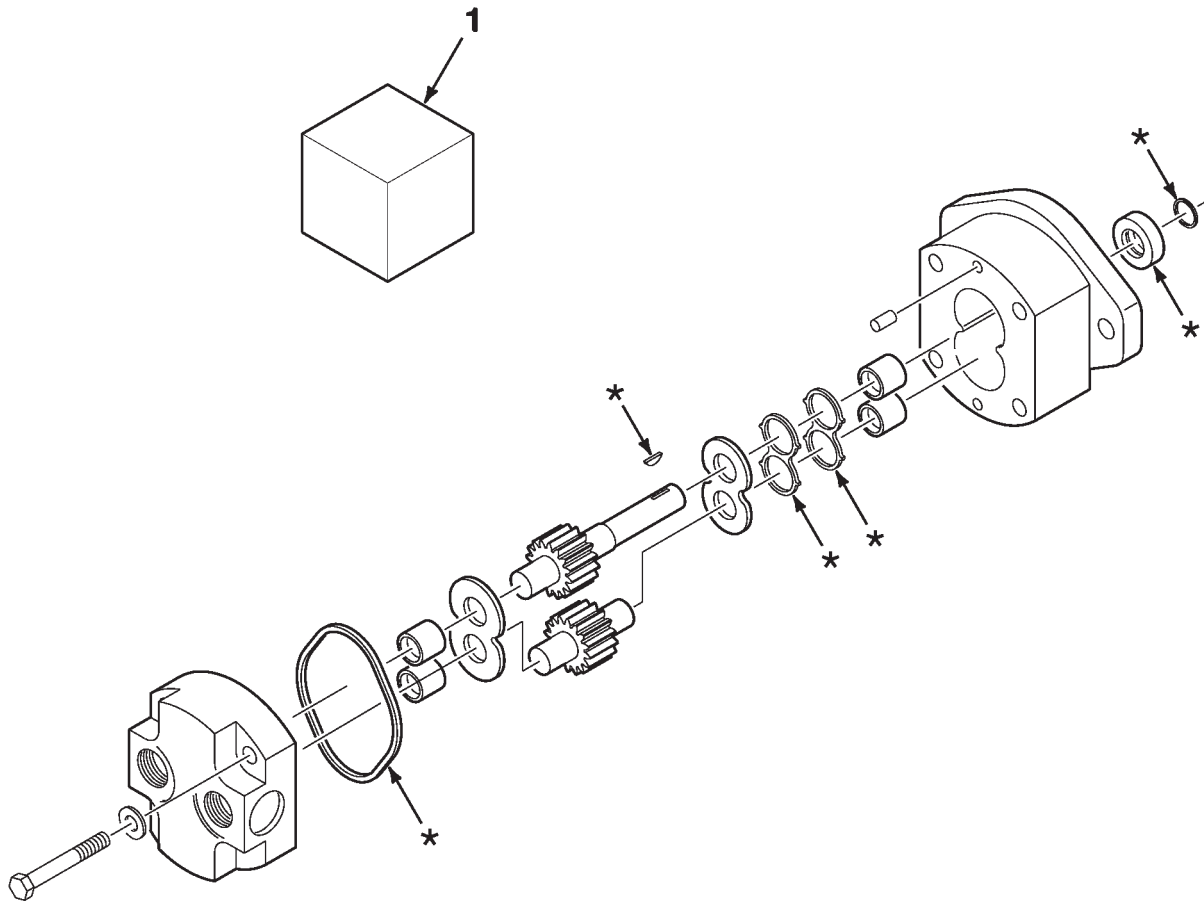
## DECALS AND KITS

## HYDRAULIC PUMP AND CLUTCH (GEAR PUMP)

ITEM	NUMBER	QTY	DESCRIPTION
1	740803	1	BUSHING-OILITE
2	70923219	1	ZERK, 1/4-28
3	700112189M	1	BUSHING
4	700112190M	1	ARM-IDLER
4	740803	1	BUSHING-OILITE
5	71145679	1	IDLER-FLAT
6	70922664	1	CAPSCREW, 5/8-11 X 2
7	70917373	1	WASHER-SPRING, 5/8
8	70932665	1	NUT, 5/8-11
9	69187	2	SETSCREW-SQUARE HEAD, 5/16-18 X 1
10	1662626M	1	SHEAVE-DRIVE, PUMP
11	70923320	1	CAPSCREW, 1/2-13 X 3
12	705541	2	WASHER-PLAIN, 1/2
13	Y705046	1	WASHER-SPRING, 1/2
14	704031	1	NUT, 1/2-13
15	700121576	1	PLATE WA-FRONT
16	700121578	1	PLATE WA-PUMP, REAR
17	70920415	2	CAPSCREW, 3/8-16 X 1-1/4
18	70916965	4	WASHER-SPRING, 3/8
19	70916950	4	NUT, 3/8-16
20	700723434	1	PUMP-HYDRAULIC (Includes Key)
21	70921965	2	CAPSCREW, 3/8-16 X 3/4

700121059-0

**BALE THROWER HYDRAULIC MOTOR ASSEMBLY**  
(7796378 HYDRAULIC PUMP ASSEMBLY)



**1835 RECTANGULAR BALER**

121

## DECALS AND KITS

**BALE THROWER HYDRAULIC MOTOR ASSEMBLY**

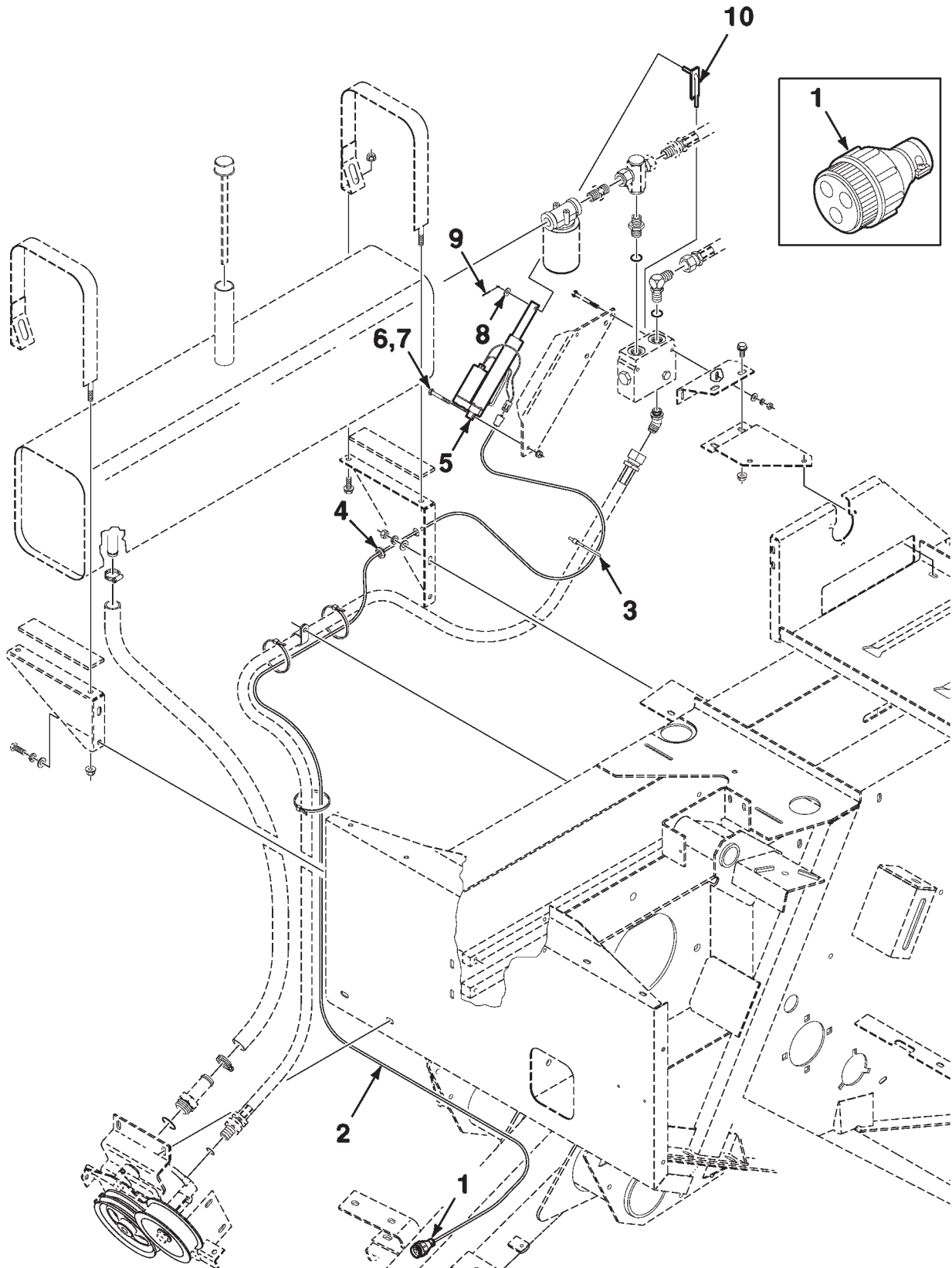
(7796378 HYDRAULIC PUMP ASSEMBLY)

ITEM	NUMBER	QTY	DESCRIPTION
-	7796378	1	HYDRAULIC PUMP ASSEMBLY
1	700710949	1	SEAL REPAIR KIT (Pump Stamped S16) (Includes Items with Asterisk.*)
1	8732661	1	SEAL REPAIR KIT (Pump Stamped S15) (Includes Items with Asterisk.*)
1	700722237	1	SEAL REPAIR KIT (PUMP STAMPED 9510290135) (Includes Items with Asterisk)

700723434-0

1835 RECTANGULAR BALER  
DECALS AND KITS

BALETHROWER ELECT. SPEED CONTROL ASM.

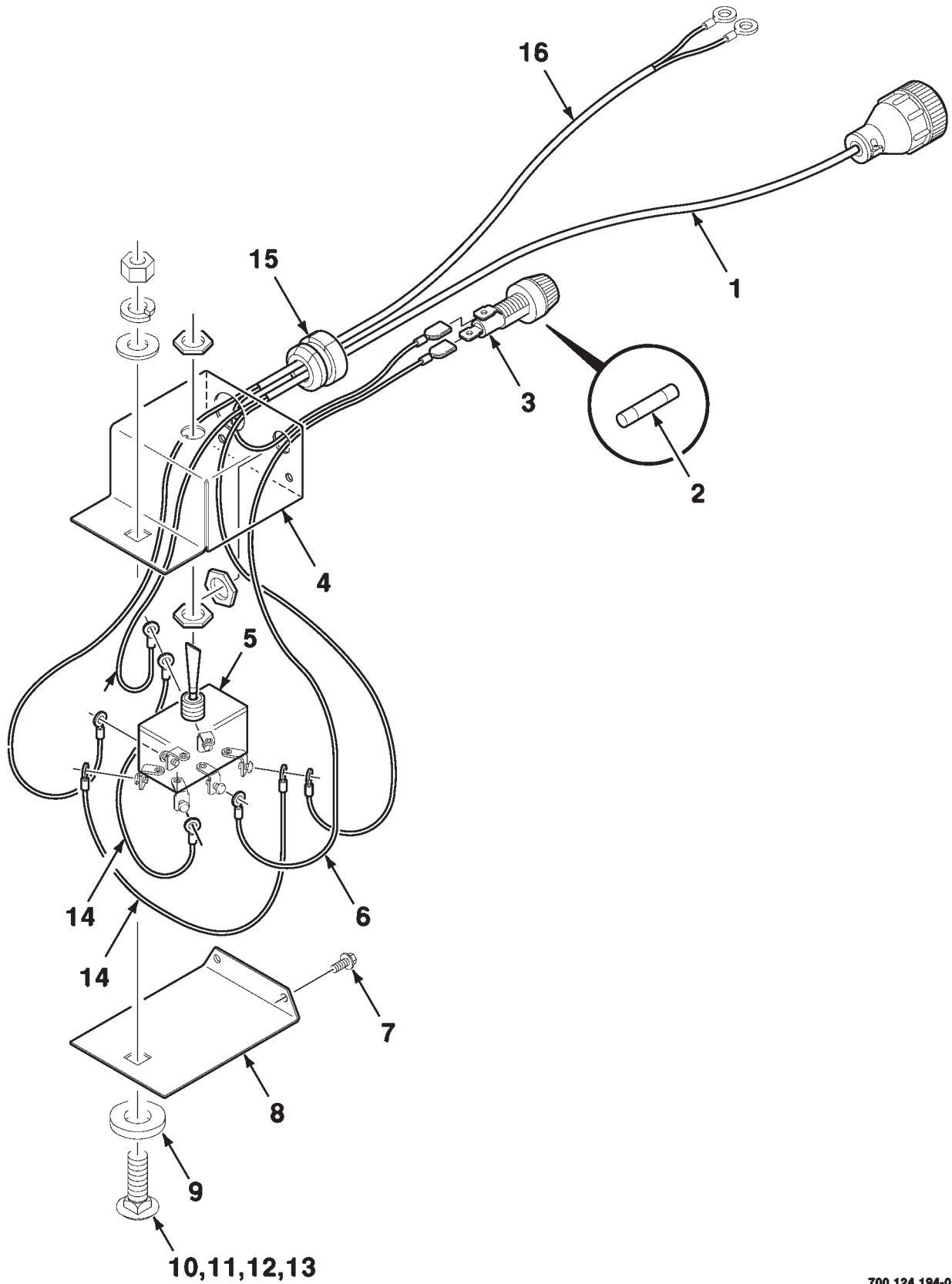


**1835 RECTANGULAR BALER****123****DECALS AND KITS****BALE THROWER ELECT. SPEED CONTROL ASM.**

ITEM	NUMBER	QTY	DESCRIPTION
1	1713999	AR	KIT-HARNESS REPAIR, 3 Contact, Female
2	700711380	1	HARNESS-WIRE
2	1713999	1	KIT-HARNESS REPAIR, 3 Contact, Female
3	70925094	4	TIE-CABLE, 8-1/2
4	70929810	1	GROMMET
5	700711219	1	ACTUATOR-LINEAR
6	7701485	1	CAPSCREW, 1/4-20 X 2
7	1703354	1	NUT-LOCK, FLANGE, 1/4-20
8	353769X1	1	WASHER-PLAIN, 1/4
9	62018	1	PIN-COTTER, 1/16 X 1/2
10	700124207	1	ARM ASSEMBLY

700128296-0

**BALE THROWER ELECTRICAL CONTROL BOX ASM.**  
(700124194 BOX ASSEMBLY-CONTROL)



**1835 RECTANGULAR BALER**

125

## DECALS AND KITS

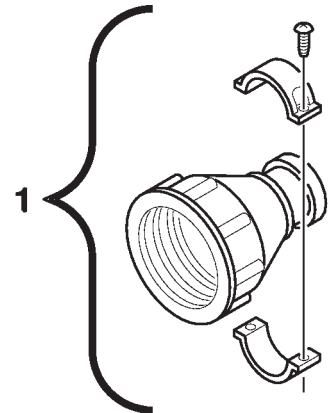
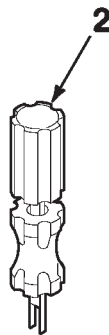
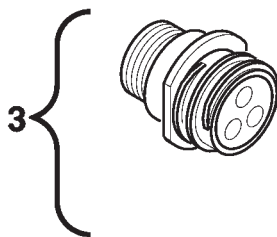
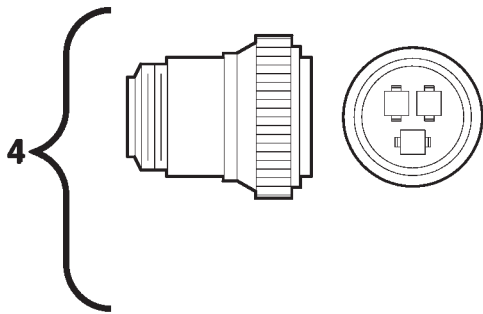
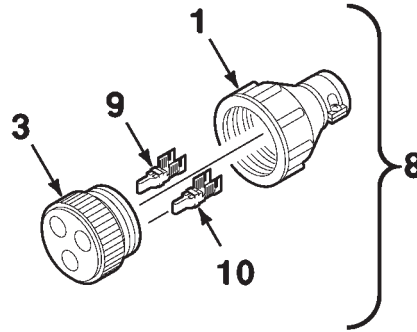
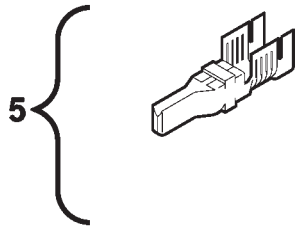
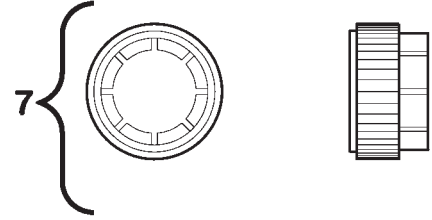
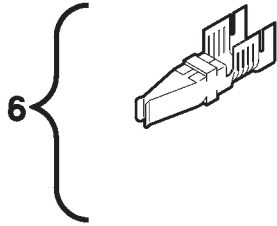
**BALETHROWER ELECTRICAL CONTROL BOX ASM.**

(700124194 BOX ASSEMBLY-CONTROL)

ITEM	NUMBER	QTY	DESCRIPTION
-	700124194	1	BOX ASSEMBLY-CONTROL
1	700710553	1	HARNESS-WIRE
2	70931768	1	FUSE-15 AMP
3	7020480	1	HOLDER-FUSE
4	700124195B	1	BOX WA-CONTROL
5	700711185	1	SWITCH-ELECTRICAL
6	7723562	1	WIRE-ELECTRICAL, 12 GAUGE
7	703082	2	SCREW-SELF TAPPING, No. 8-32 X 3/8
8	700124196	1	BOTTOM-BOX
9	705541	1	WASHER-PLAIN, 1/2
10	70923220	1	BOLT-CARRIAGE, 3/8-16 X 1-1/4
11	Y705533	1	WASHER-PLAIN, 3/8
12	70916965	1	WASHER-SPRING, 3/8
13	70916950	1	NUT, 3/8-16
14	722355	2	WIRE-ELECTRICAL
15	700711381	1	BUSHING-STRAIN RELIEF
16	700710551	1	HARNESS-WIRE

700124194-0

ELECTRICAL HARNESS SERVICE PARTS





**1835 RECTANGULAR BALER  
DECALS AND KITS**

**127**

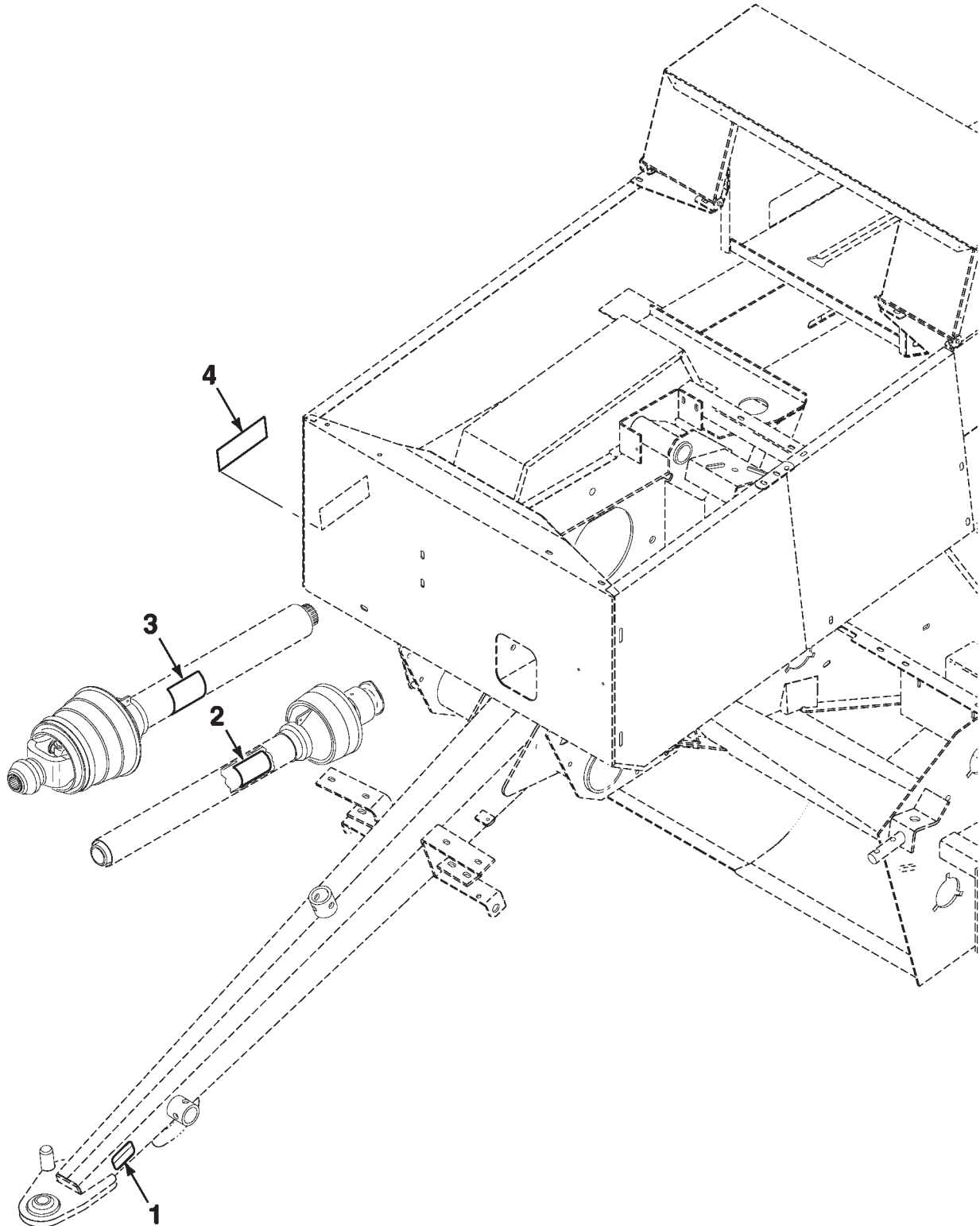
**ELECTRICAL HARNESS SERVICE PARTS**

ITEM	NUMBER	QTY	DESCRIPTION
1	700708756	AR	CLAMP-CABLE (SHELL SIZE 17)
2	700707014	1	TOOL-CONNECTOR REPAIR
3	700710659	AR	RECEPTACLE-PLUG, 3 CONTACT, MALE
4	700709705	AR	PLUG-STANDARD SEX CONNECTOR
5	700710621	AR	CONTACT-MALE
6	700710620	AR	CONTACT-FEMALE
7	700707819	AR	RING-COUPLING
8	1713999	1	KIT-HARNESS REPAIR, 3 Contact, Female
8	700708756	1	CLAMP-CABLE (SHELL SIZE 17)
8	700710659	1	RECEPTACLE-PLUG, 3 CONTACT, MALE
8	700719297	3	CONTACT-MALE, SILVER, (10 GAUGE)
8	72514689	3	CONTACT-MALE, SILVER (12-16 GAUGE)
9	700719297	AR	CONTACT-MALE, SILVER, (10 GAUGE)
10	72514689	AR	CONTACT-MALE, SILVER (12-16 GAUGE)

700710553-0

1835 RECTANGULAR BALER  
DECALS AND KITS

FRENCH DECAL KIT  
(MKD40817 FRENCH DECAL KIT)



**1835 RECTANGULAR BALER  
DECALS AND KITS**

**129**

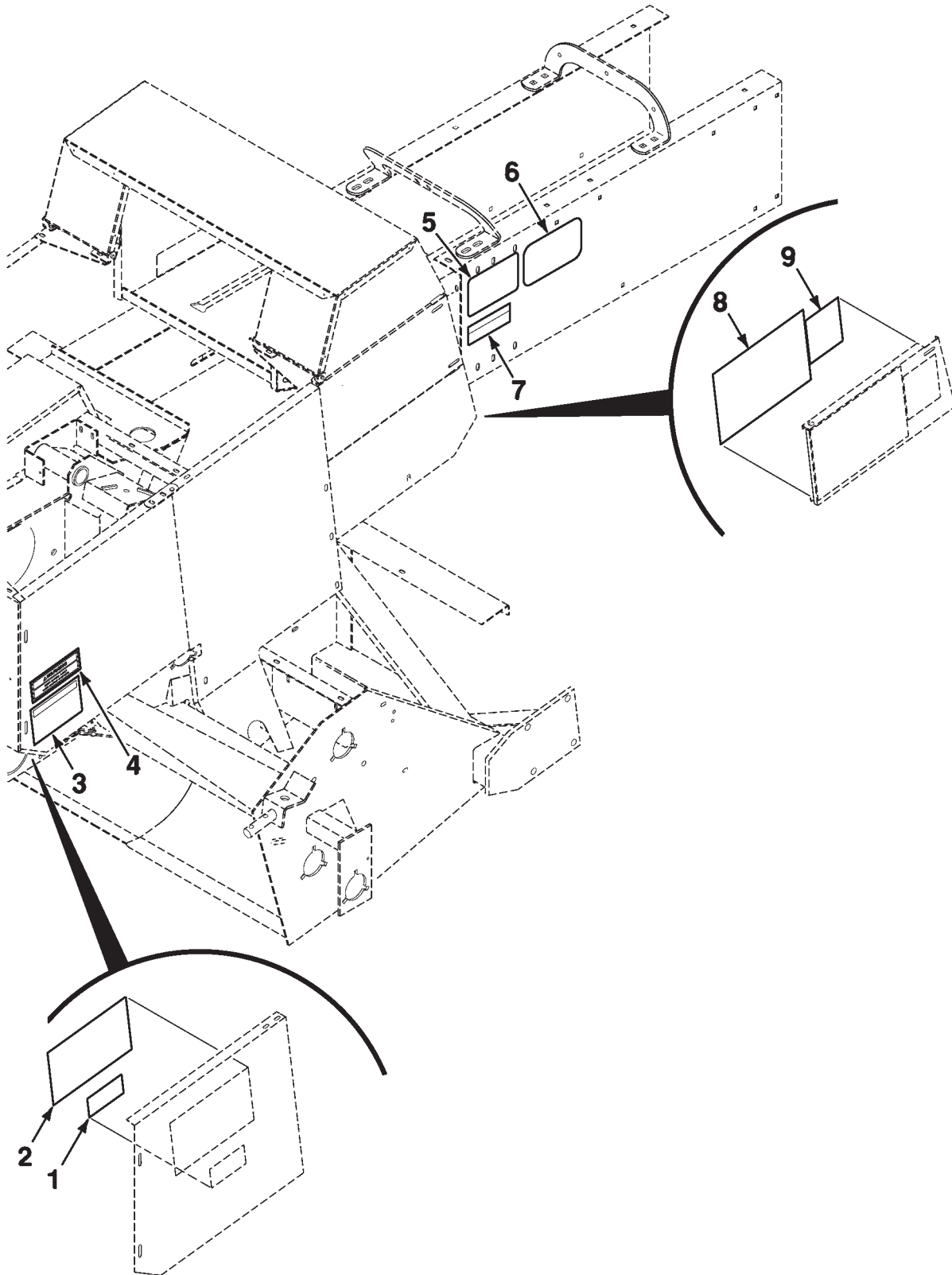
**FRENCH DECAL KIT  
(MKD40817 FRENCH DECAL KIT)**

ITEM	NUMBER	QTY	DESCRIPTION
-	MKD40817	1	FRENCH DECAL KIT (WHOLEGOODS ONLY)
1	700713822	1	DECAL-NOTICE
2	700713724	1	DECAL-DANGER
3	700713722	1	DECAL-DANGER
4	700713708	1	DECAL-WARNING

700903371-1

1835 RECTANGULAR BALER  
DECALS AND KITS

FRENCH DECAL KIT-Continued



**1835 RECTANGULAR BALER  
DECALS AND KITS**

**131**

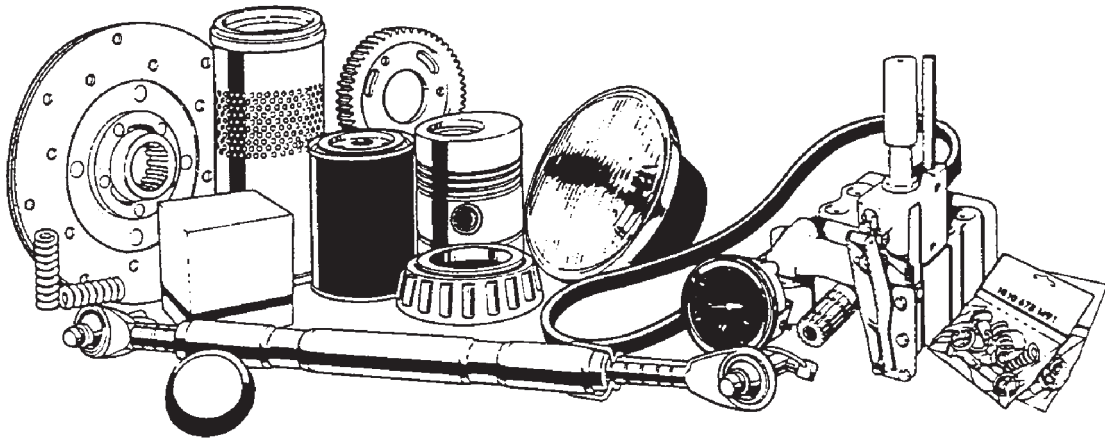
**FRENCH DECAL KIT-Continued**

ITEM	NUMBER	QTY	DESCRIPTION
1	700713825	1	DECAL-SHEARBOLT
2	700713821	1	DECAL-OPERATION
3	700713702	1	DECAL-WARNING
4	700713708	1	DECAL-WARNING
5	700713820	2	DECAL-OPERATION
6	700713713	2	DECAL-DANGER
7	700713801	2	DECAL-WARNING
8	700713823	1	DECAL-OPERATION
9	700713819	1	DECAL-NEEDLE TIMING

700903371-2

DEALER RECOMMENDED STOCK

# RECOMMENDED DEALER STOCK



1835 RECTANGULAR BALER  
DEALER RECOMMENDED STOCK

133

DEALER RECOMMENDED STOCK

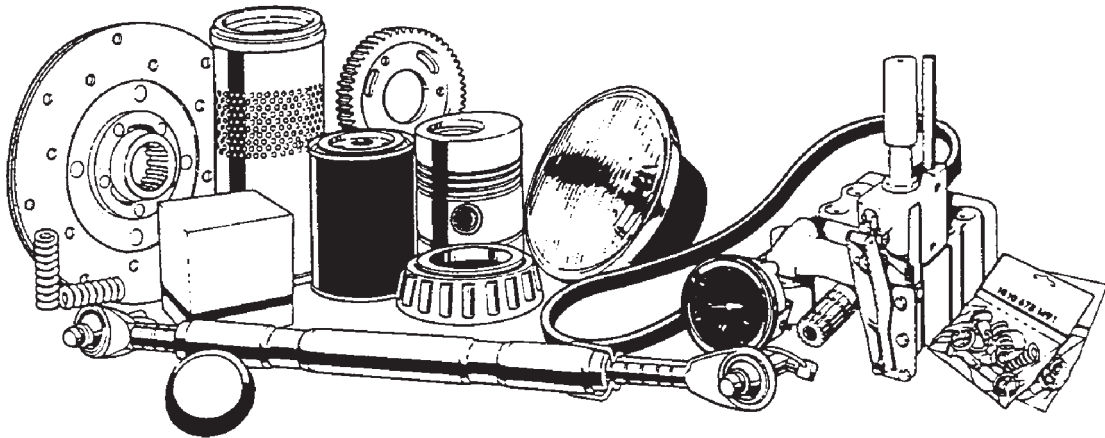
ITEM	NUMBER	QTY	DESCRIPTION
	26260	2	CAP-HUB
	26328	5	BOLT-WHEEL
	47142	1	SPROCKET-IDLER
71378873	1	SPROCKET-IDLER	
	47977	2	SPROCKET-IDLER
	50104	2	CUP-BEARING
	1109055	2	BEARING
71308951	1	BEARING-SPHERICAL	
	50534M	2	FLANGE-BEARING
	50567	2	FLANGE-BEARING
	51292	1	BEARING-SPHERICAL
	51417	2	FLANGE-BEARING
	53553	1	V-IDLER
	Y57604	1	V-BELT
70922135	2	PIN-SLOTTED SPRING	
70915751	2	PIN-SLOTTED SPRING	
Y703132	12	SCREW-FLANGE	
Y704346	2	NUT-HALF	
Y710392	3	BEARING-CYLINDRICAL	
70227666	2	CUP-BEARING	
831078M1	2	CONE-BEARING	
	713958	2	FLANGE-BEARING
	70923561	10	O-RING
	758441	1	SPRING-TENSION
	70928737	2	SEAL-GREASE
30368E91	1	CROSS AND BEARING KIT	
	6521868	2	SHEAR BOLT KIT
	6523203	2	CAM-BILL HOOK
6553259N	2	SPRING-TWINE	
	6553267	1	WORM SHAFT
	6613624	2	TAB-LOCKING
	6853352	2	CLEANER-KNOTTER
	7852593	4	BUSHING-MACHINERY
70927728	2	RING-RETAINING	
	7894389	2	GEAR-PINION
	7894413	2	GEAR-WORM
	7894421	2	GEAR-PINION
	7894454	2	GEAR-PINION
	7895733	2	SPRING
	8745358	2	DISC ASSEMBLY-TWINE
700108195	2	BILL HOOK	
700108418	2	WASHER-SPECIAL	
700108622	3	FLANGE-BEARING	
700112379M	5	WRAPPER-TINE	
700112401M	2	FLANGE	
	700112472	2	SHEAR BOLT KIT
	700117281	2	HAYDOG
	700122799	2	ROLLER-SPHERICAL
	700131723	1	CRANK WA-TINE BAR
	700703778	2	BUMPER
	700703860	50	TINE-DOUBLE
	700705612	2	BEARING-CAM
	700706005	2	SEAL-GREASE
	700706020	1	SPRING-EXTENSION
	700706021	1	WRENCH-RATCHET

CONTINUED

RDL

DEALER RECOMMENDED STOCK

# RECOMMENDED DEALER STOCK





**1835 RECTANGULAR BALER  
DEALER RECOMMENDED STOCK**

**135**

**DEALER RECOMMENDED STOCK**

ITEM	NUMBER	QTY	DESCRIPTION
	712539	1	BEARING-SPHERICAL
	700707863	2	SPRING-TORSION
	700707867	3	NUT-LOCK
	50112	2	CONE-BEARING
	71308984	4	BEARING-SPHERICAL
	700710315	2	BUSHING
	700710945	2	DISC-CLUTCH
	700711021	2	LINING-BRAKE
	700711131	3	GUIDE
	700711954	1	SEAL KIT
	700712011	2	BUSHING
	700712748	2	CROSS AND BEARING KIT
	700713773	2	CROSS AND BEARING KIT
	700715627	5	KNIFE-TWINE

RDL